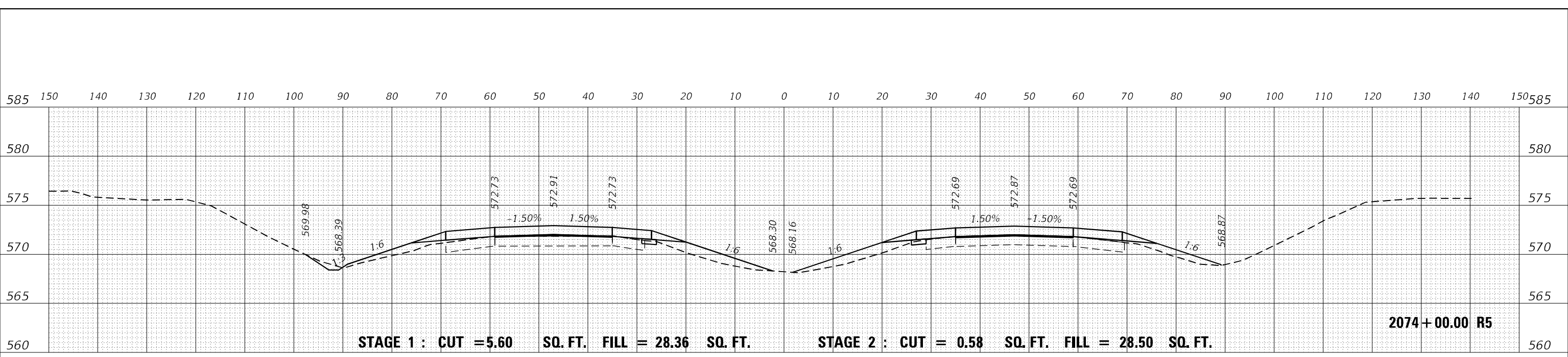
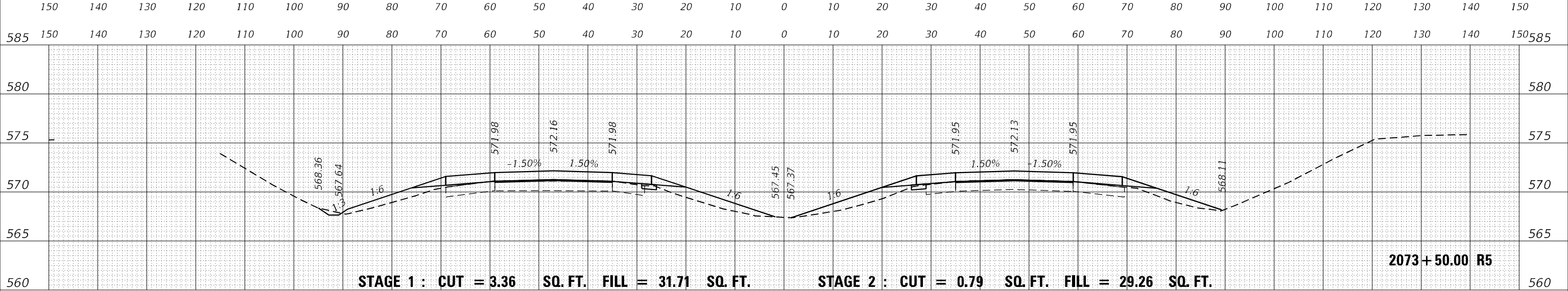


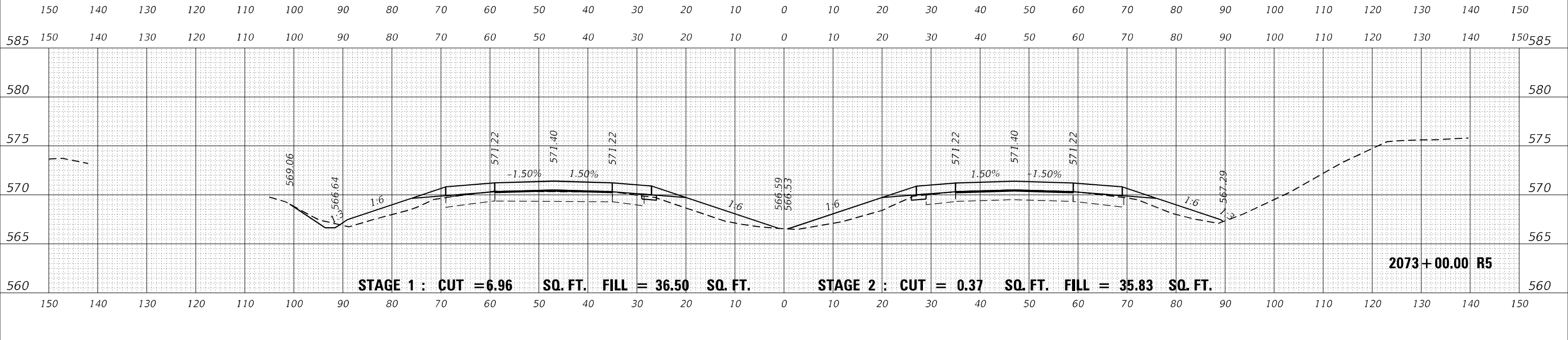
DATE	
BY	
FINAL SURVEY	SURVEYED
NOTE BOOK	PLOTTED
NO.	AREAS CHECKED



DATE	
BY	
ORIGINAL SURVEY	SURVEYED
NOTE BOOK	PLOTTED
NO.	AREAS CHECKED



DATE	
BY	
ORIGINAL SURVEY	SURVEYED
NOTE BOOK	PLOTTED
NO.	AREAS CHECKED



MODEL: D:\mfr\h
FILE NAME: ...029\8604-R5-XS-2.dgn

USER NAME = dhawes	DESIGNED -	REVISED -
PLOT SCALE = 20,0000 * / in.	DRAWN -	REVISED -
PLOT DATE = 11/4/2022 - 9:33:10 AM	CHECKED -	REVISED -
	DATE -	REVISED -

**STATE OF ILLINOIS
DEPARTMENT OF TRANSPORTATION**

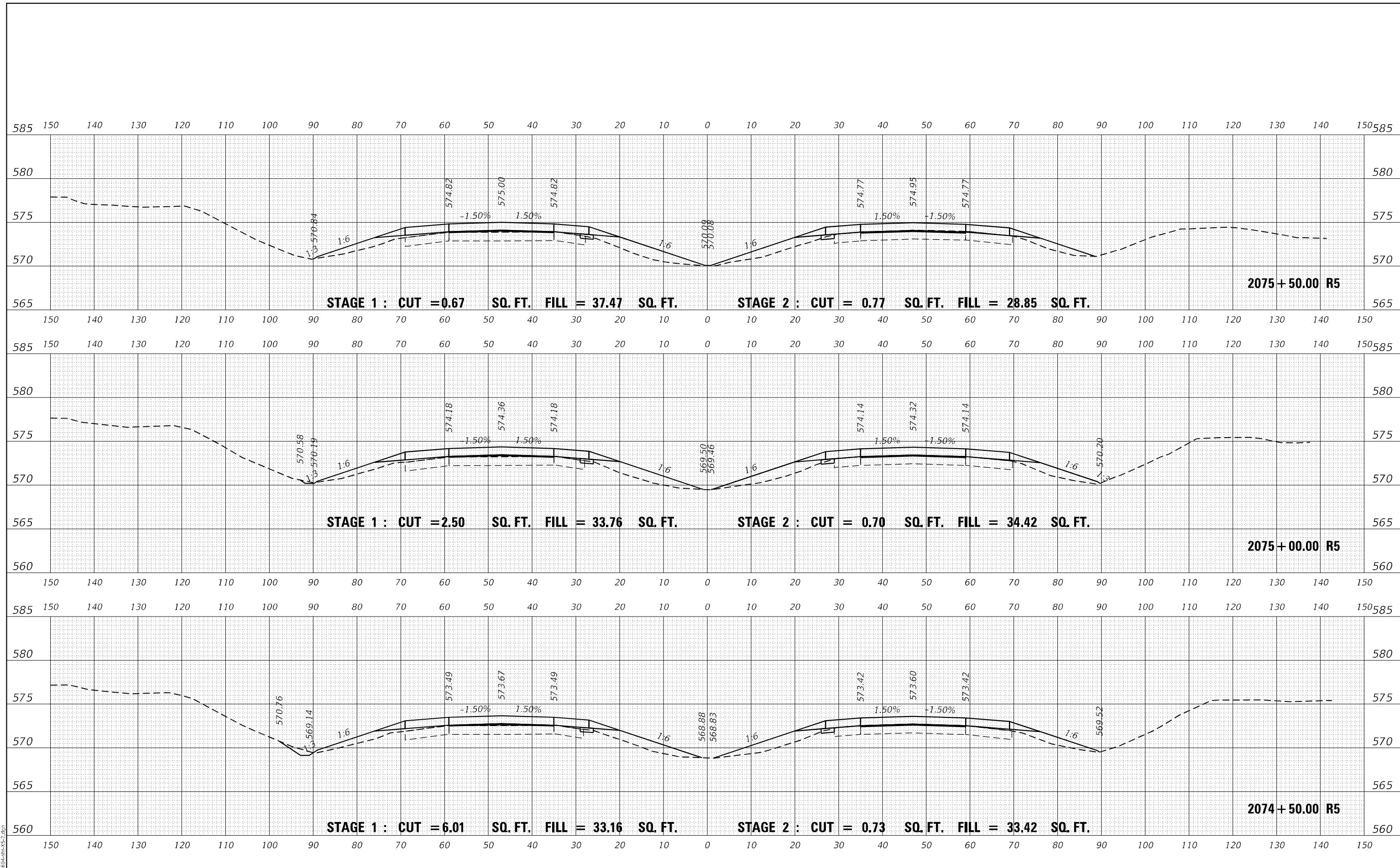
**INTERSTATE 64
CROSS SECTIONS**

SCALE: 50 SHEET OF SHEETS STA. 2073+00.00 R5 TO STA. 2074+00.00 R5

F.A.I. RTE.	SECTION	COUNTY	TOTAL SHEETS	SHEET NO.
I-64	*	JEFFERSON	1052	701
			CONTRACT NO. 78604	

DATE	
BY	
FINAL SURVEY	SURVEYED
NOTE BOOK	PLOTTED
NO.	TEMPLATE
	AREAS
	CHECKED

DATE	
BY	
ORIGINAL SURVEY	SURVEYED
NOTE BOOK	PLOTTED
NO.	TEMPLATE
	AREAS
	CHECKED



MODEL: D:\mfrh
 FILE NAME: ...029\8604-RS-R5-2.dgn

USER NAME = dhawes	DESIGNED -	REVISED -
	DRAWN -	REVISED -
PLOT SCALE = 20,0000 * / in.	CHECKED -	REVISED -
PLOT DATE = 11/4/2022 - 9:33:10 AM	DATE -	REVISED -

**STATE OF ILLINOIS
 DEPARTMENT OF TRANSPORTATION**

**INTERSTATE 64
 CROSS SECTIONS**

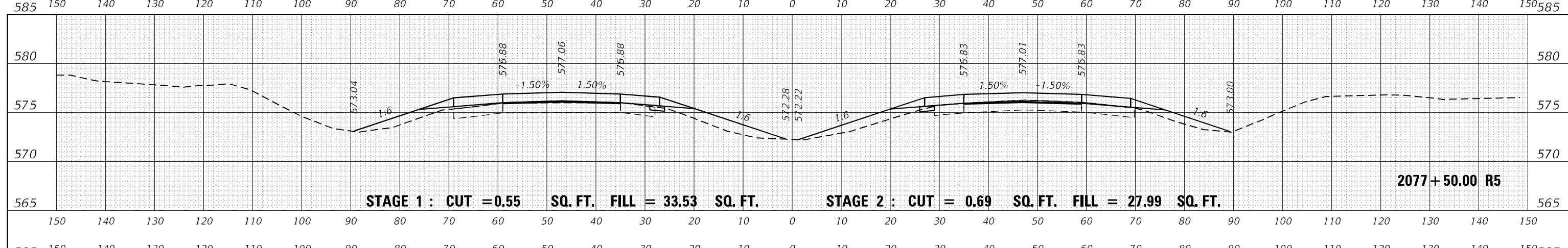
SCALE: 50 SHEET OF SHEETS STA. 2074+50.00 R5 TO STA. 2075+50.00 R5

F.A.I. RTE.	SECTION	COUNTY	TOTAL SHEETS	SHEET NO.
I-64	*	JEFFERSON	1052	702
CONTRACT NO. 78604				

(41-6,41-6-1,41-7)RS-2;BSMART 2023

FINAL SURVEY	SURVEYED	DATE
NOTE BOOK	PLOTTED	BY
NO.	TEMPLATE	
	AREAS CHECKED	

ORIGINAL SURVEY	SURVEYED	DATE
NOTE BOOK	PLOTTED	BY
NO.	TEMPLATE	
	AREAS CHECKED	



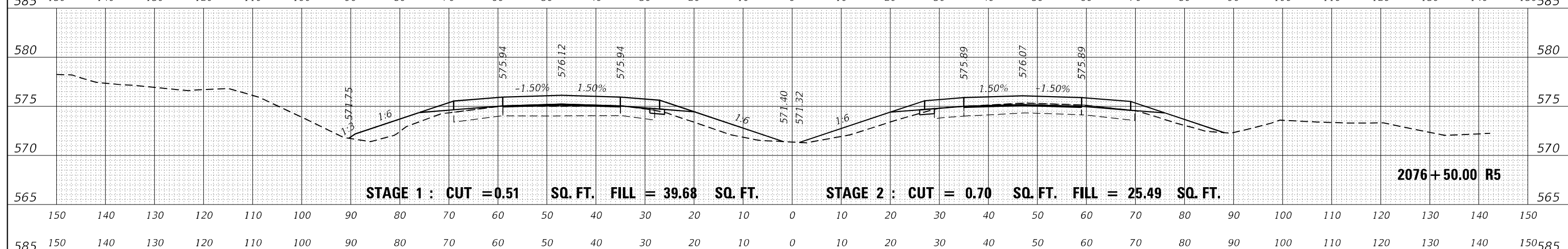
STAGE 1 : CUT = 0.55 SQ. FT. FILL = 33.53 SQ. FT. STAGE 2 : CUT = 0.69 SQ. FT. FILL = 27.99 SQ. FT.

2077+50.00 R5



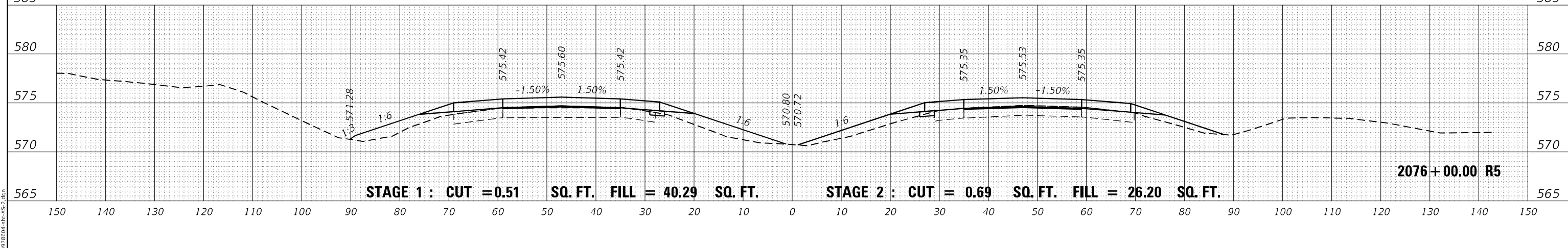
STAGE 1 : CUT = 0.50 SQ. FT. FILL = 40.91 SQ. FT. STAGE 2 : CUT = 0.88 SQ. FT. FILL = 26.62 SQ. FT.

2077+00.00 R5



STAGE 1 : CUT = 0.51 SQ. FT. FILL = 39.68 SQ. FT. STAGE 2 : CUT = 0.70 SQ. FT. FILL = 25.49 SQ. FT.

2076+50.00 R5



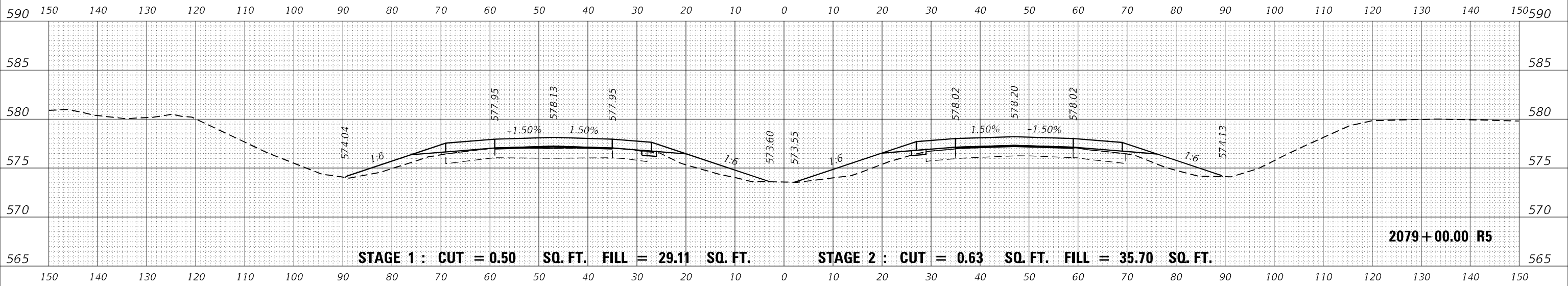
STAGE 1 : CUT = 0.51 SQ. FT. FILL = 40.29 SQ. FT. STAGE 2 : CUT = 0.69 SQ. FT. FILL = 26.20 SQ. FT.

2076+00.00 R5

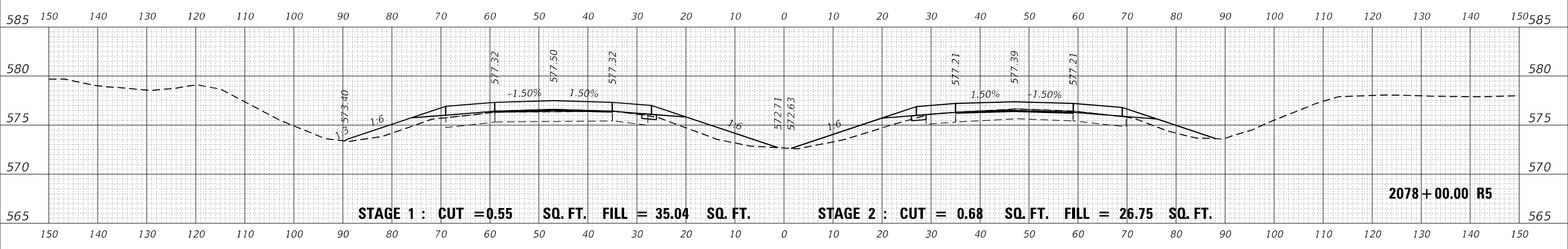
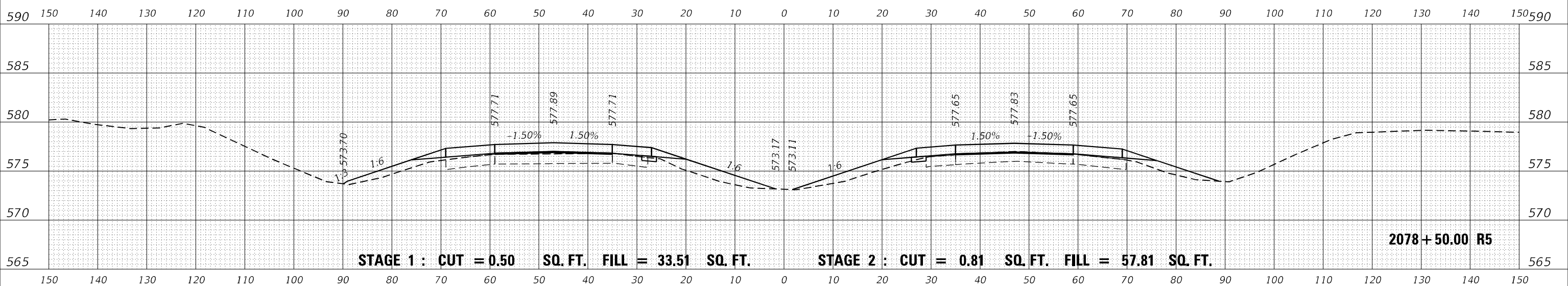
MODEL: D:\mfr\it...
FILE NAME: ...029\8604-R5-RS-2.dgn

USER NAME = dhawes	DESIGNED -	REVISED -	STATE OF ILLINOIS DEPARTMENT OF TRANSPORTATION	INTERSTATE 64 CROSS SECTIONS		F.A.I. RTE. I-64	SECTION *	COUNTY JEFFERSON	TOTAL SHEETS 1052	SHEET NO. 703	
PLOT SCALE = 20,000' / in.	DRAWN -	REVISED -		SCALE: 50	SHEET OF SHEETS	STA. 2076+00.00 R5 TO STA. 2077+50.00 R5	ILLINOIS FED. AID PROJECT		CONTRACT NO. 78604		
PLOT DATE = 11/4/2022 - 9:33:11 AM	CHECKED -	REVISED -		* (41-6,41-6-1,41-7)RS-2;BSMART 2023							
	DATE -	REVISED -									

DATE	
BY	
FINAL SURVEY	SURVEYED
NOTE BOOK	PLOTTED
NO.	AREAS CHECKED



DATE	
BY	
ORIGINAL SURVEY	SURVEYED
NOTE BOOK	PLOTTED
NO.	AREAS CHECKED



MODEL: D:\mfr\...
FILE NAME: ...

USER NAME = dhawes	DESIGNED -	REVISED -
PLOT SCALE = 20,000' / in.	DRAWN -	REVISED -
PLOT DATE = 11/4/2022 - 9:33:11 AM	CHECKED -	REVISED -
	DATE -	REVISED -

**STATE OF ILLINOIS
DEPARTMENT OF TRANSPORTATION**

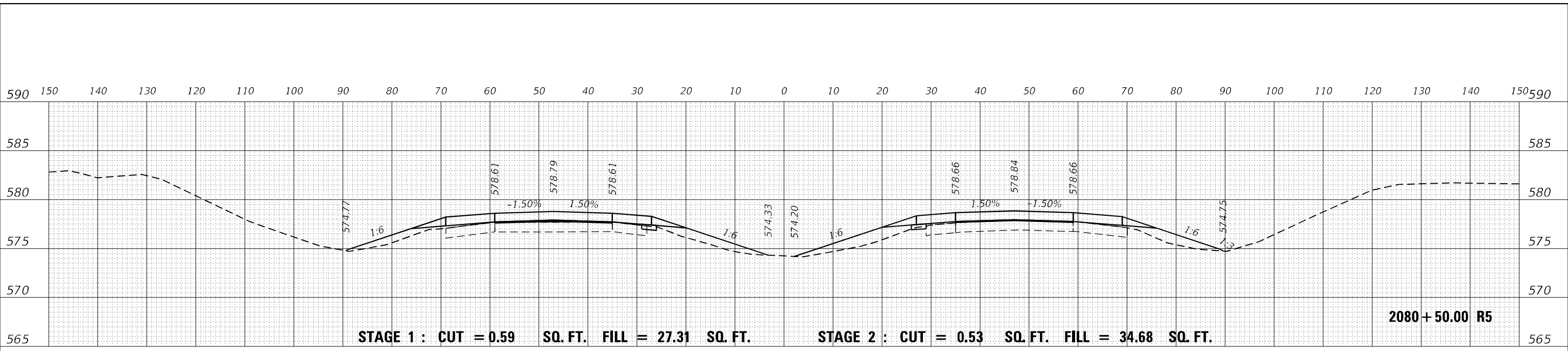
**INTERSTATE 64
CROSS SECTIONS**

SCALE: 50 SHEET OF SHEETS STA. 2078+00.00 R5 TO STA. 2079+00.00 R5

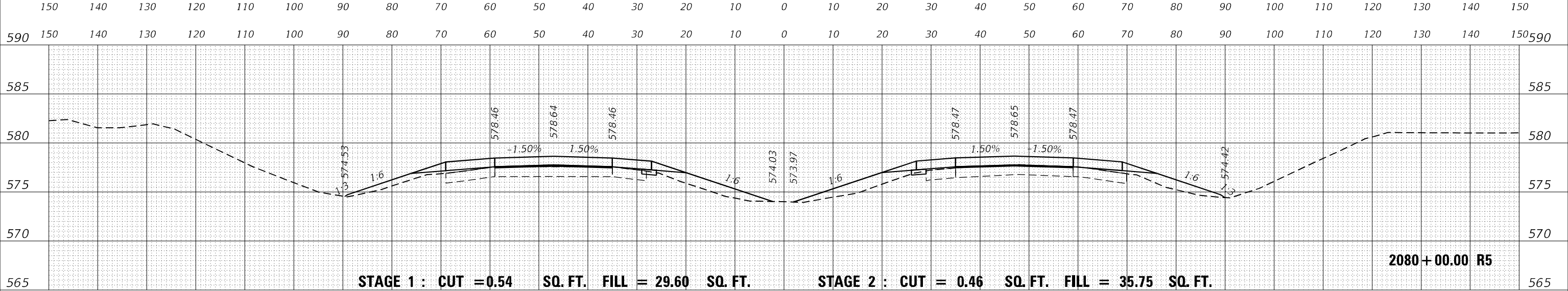
F.A.I. RTE.	SECTION	COUNTY	TOTAL SHEETS	SHEET NO.
I-64	*	JEFFERSON	1052	704
CONTRACT NO. 78604				

* (41-6,41-6-1,41-7)RS-2;BSMART 2023

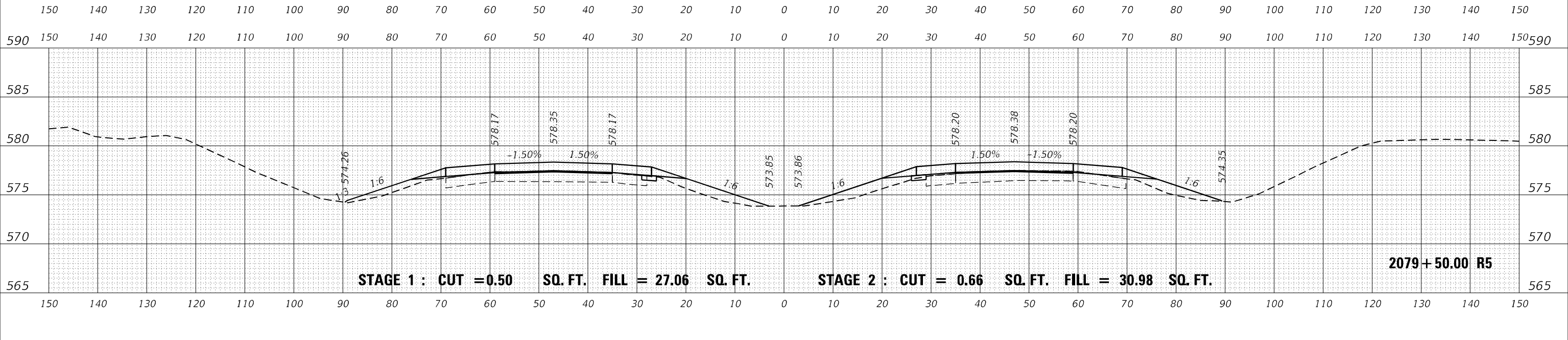
DATE	
BY	
FINAL SURVEY	SURVEYED
NOTE BOOK	PLOTTED
NO.	AREAS CHECKED



DATE	
BY	
ORIGINAL SURVEY	SURVEYED
NOTE BOOK	PLOTTED
NO.	AREAS CHECKED



DATE	
BY	
ORIGINAL SURVEY	SURVEYED
NOTE BOOK	PLOTTED
NO.	AREAS CHECKED



MODEL: D:\mfr\...
 FILE NAME: ...029\8604-R5-R5-2.dgn

USER NAME = dhawes	DESIGNED -	REVISED -
	DRAWN -	REVISED -
PLOT SCALE = 20,0000 * / in.	CHECKED -	REVISED -
PLOT DATE = 11/4/2022 - 9:33:12 AM	DATE -	REVISED -

**STATE OF ILLINOIS
DEPARTMENT OF TRANSPORTATION**

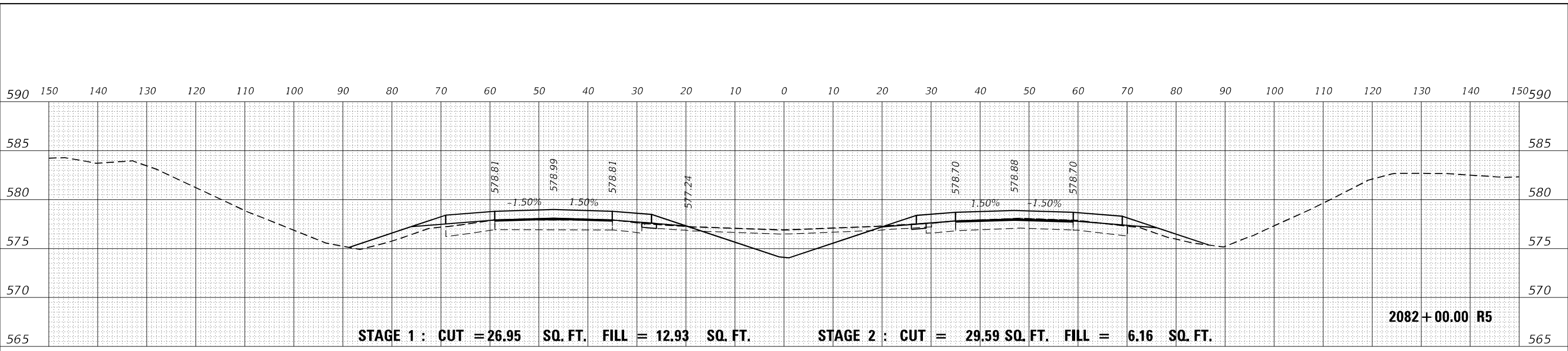
**INTERSTATE 64
CROSS SECTIONS**

SCALE: 50 SHEET OF SHEETS STA. 2079+50.00 R5 TO STA. 2080+50.00 R5

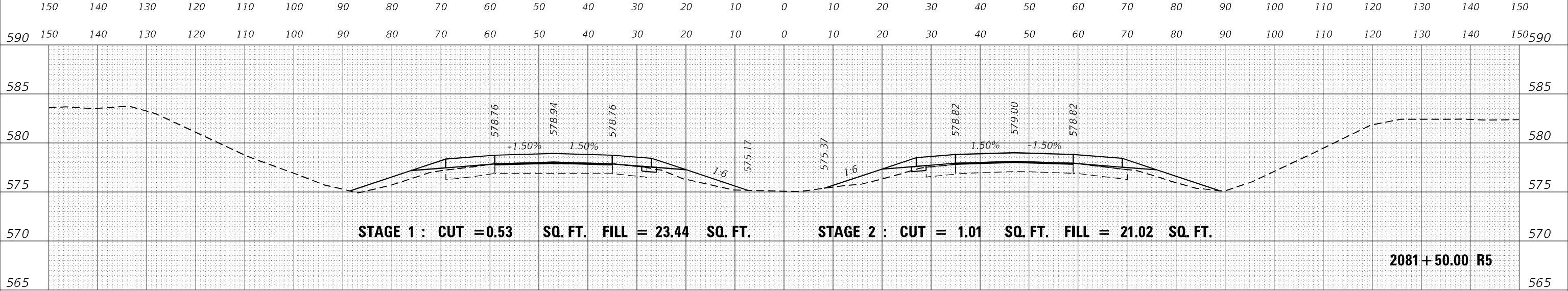
F.A.I. RTE.	SECTION	COUNTY	TOTAL SHEETS	SHEET NO.
I-64	*	JEFFERSON	1052	705
			CONTRACT NO. 78604	

* (41-6,41-6-1,41-7)RS-2;BSMART 2023

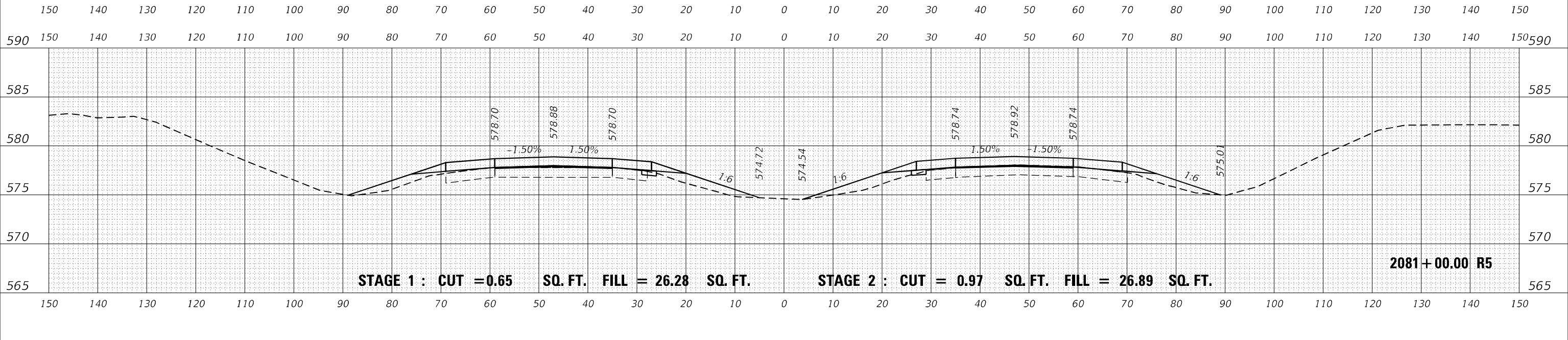
DATE	
BY	
FINAL SURVEY	SURVEYED
NOTE BOOK	PLOTTED
NO.	TEMPLATE
	AREAS
	CHECKED



DATE	
BY	
ORIGINAL SURVEY	SURVEYED
NOTE BOOK	PLOTTED
NO.	TEMPLATE
	AREAS
	CHECKED



DATE	
BY	
ORIGINAL SURVEY	SURVEYED
NOTE BOOK	PLOTTED
NO.	TEMPLATE
	AREAS
	CHECKED



MODEL: D:\mfr\it FILE NAME: ...029\8604-R5-S-2.dgn

USER NAME = dhawes	DESIGNED -	REVISED -
	DRAWN -	REVISED -
PLOT SCALE = 20,0000 * / in.	CHECKED -	REVISED -
PLOT DATE = 11/4/2022 - 9:33:13 AM	DATE -	REVISED -

**STATE OF ILLINOIS
DEPARTMENT OF TRANSPORTATION**

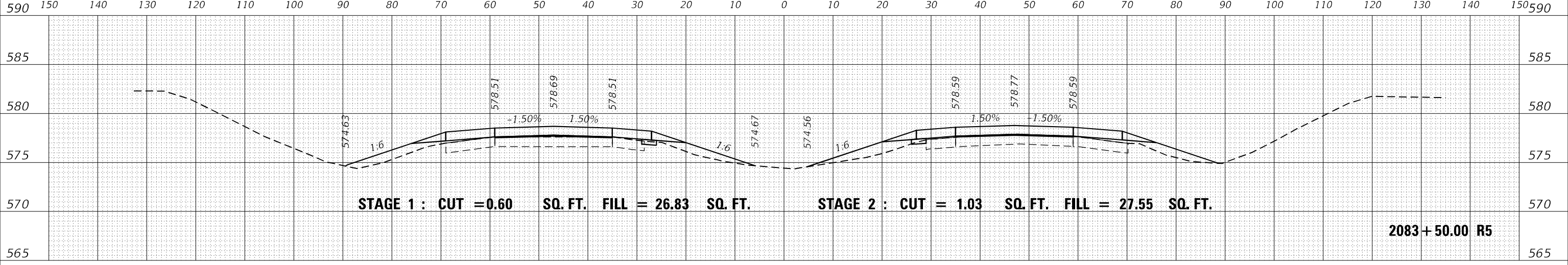
**INTERSTATE 64
CROSS SECTIONS**

SCALE: 50 SHEET OF SHEETS STA. 2081+00.00 R5 TO STA. 2082+00.00 R5

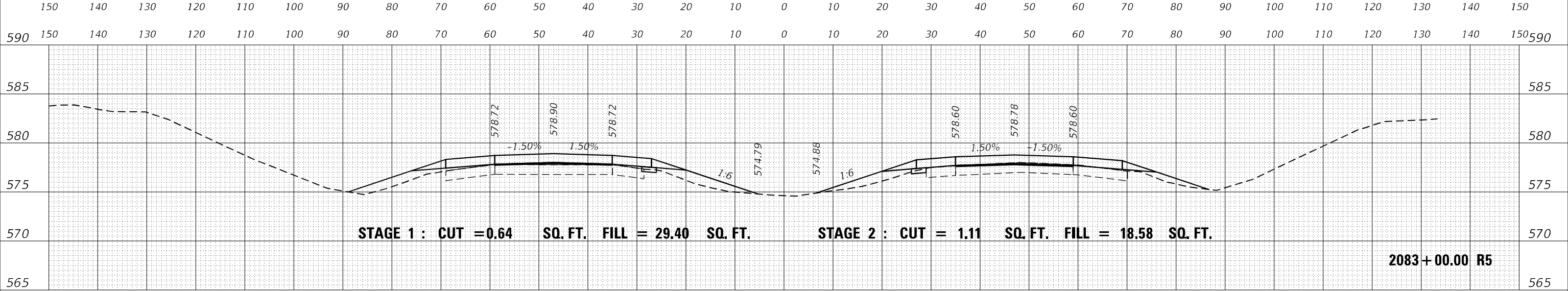
F.A.I. RTE.	SECTION	COUNTY	TOTAL SHEETS	SHEET NO.
I-64	*	JEFFERSON	1052	706
			CONTRACT NO. 78604	

* (41-6,41-6-1,41-7)RS-2;BSMART 2023

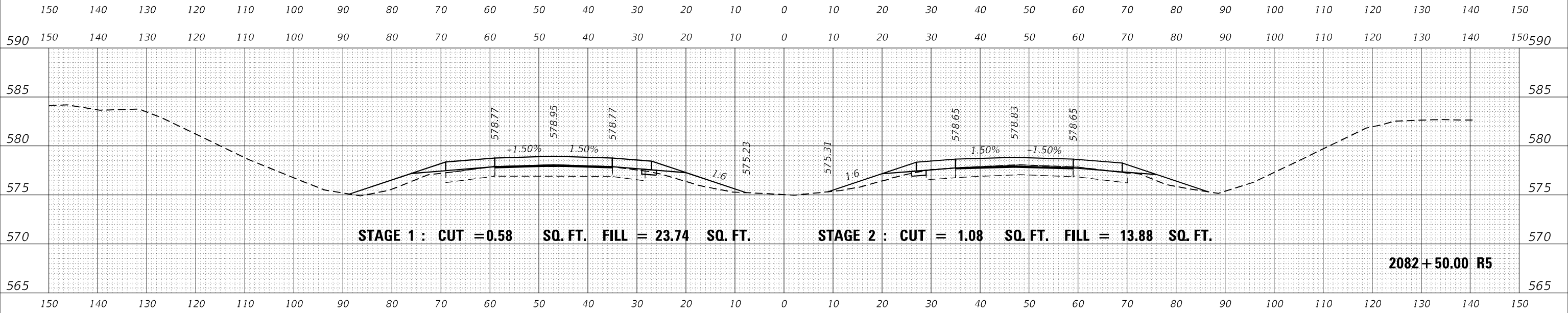
DATE	
BY	
FINAL SURVEY	SURVEYED
NOTE BOOK	PLOTTED
NO.	AREAS CHECKED



DATE	
BY	
ORIGINAL SURVEY	SURVEYED
NOTE BOOK	PLOTTED
NO.	AREAS CHECKED



DATE	
BY	
ORIGINAL SURVEY	SURVEYED
NOTE BOOK	PLOTTED
NO.	AREAS CHECKED



MODEL: D:\mfr\it
FILE NAME: ...029\8604-R5-R5-2.dgn

USER NAME = dhawes	DESIGNED -	REVISED -
	DRAWN -	REVISED -
PLOT SCALE = 20,0000' / in.	CHECKED -	REVISED -
PLOT DATE = 11/4/2022 - 9:33:13 AM	DATE -	REVISED -

**STATE OF ILLINOIS
DEPARTMENT OF TRANSPORTATION**

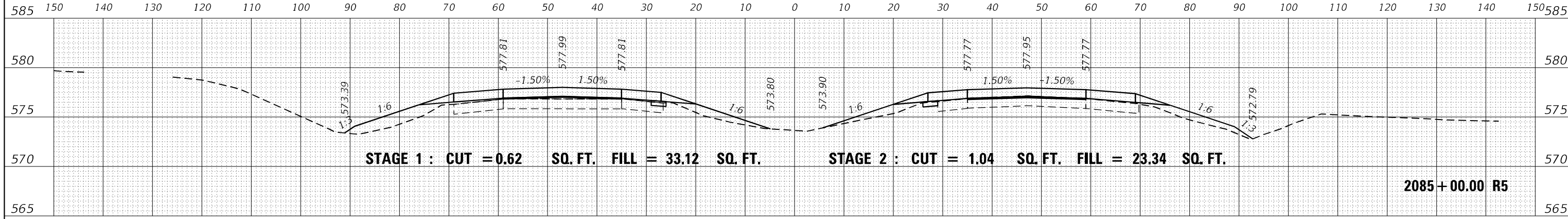
**INTERSTATE 64
CROSS SECTIONS**

SCALE: 50 SHEET OF SHEETS STA. 2082+50.00 R5 TO STA. 2083+50.00 R5

F.A.I. RTE.	SECTION	COUNTY	TOTAL SHEETS	SHEET NO.
I-64	*	JEFFERSON	1052	707
				CONTRACT NO. 78604

(41-6,41-6-1,41-7)RS-2;BSMART 2023

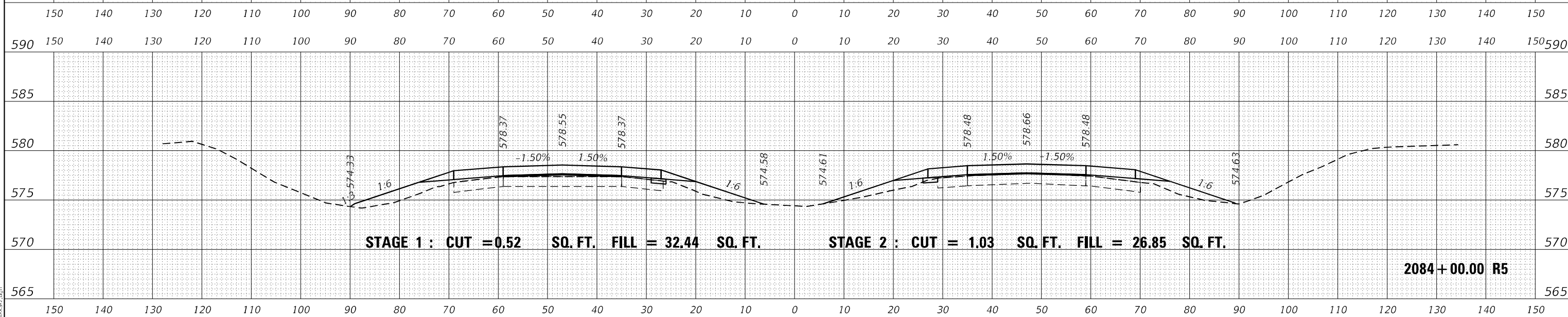
DATE	
BY	
FINAL SURVEY	SURVEYED
NOTE BOOK	PLOTTED
NO.	AREAS CHECKED



DATE	
BY	
ORIGINAL SURVEY	SURVEYED
NOTE BOOK	PLOTTED
NO.	AREAS CHECKED



DATE	
BY	
ORIGINAL SURVEY	SURVEYED
NOTE BOOK	PLOTTED
NO.	AREAS CHECKED



MODEL: D:\mfr\it
FILE NAME: ...029\8604-R5-R5-2.dgn

USER NAME = dhawes	DESIGNED -	REVISED -
	DRAWN -	REVISED -
PLOT SCALE = 20,0000 * / in.	CHECKED -	REVISED -
PLOT DATE = 11/4/2022 - 9:33:14 AM	DATE -	REVISED -

**STATE OF ILLINOIS
DEPARTMENT OF TRANSPORTATION**

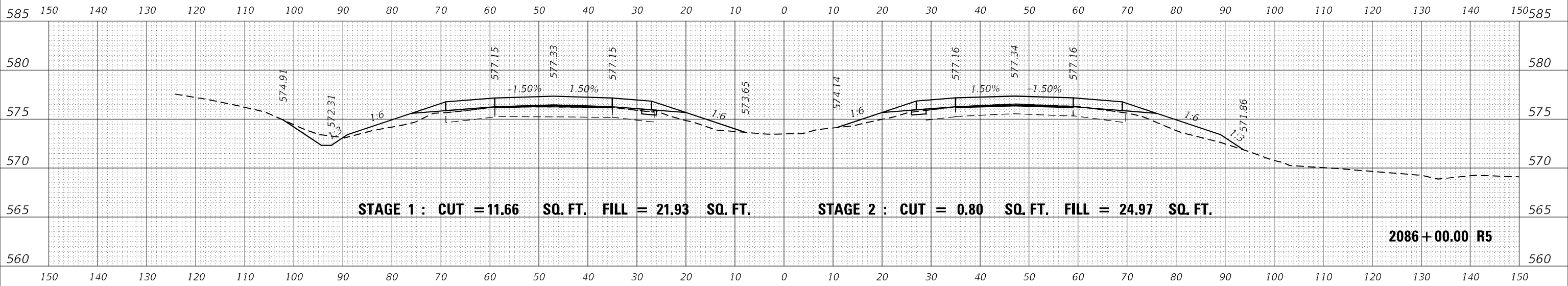
**INTERSTATE 64
CROSS SECTIONS**

SCALE: 50 SHEET OF SHEETS STA. 2084+00.00 R5 TO STA. 2085+00.00 R5

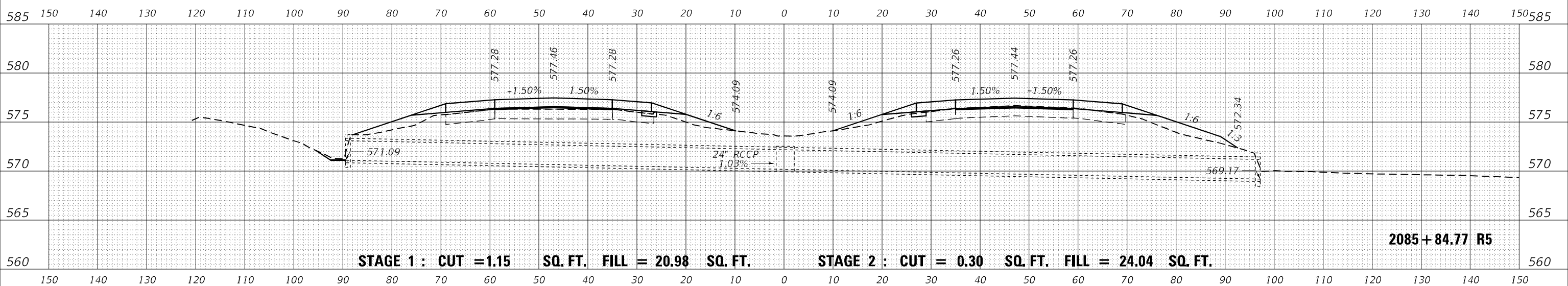
F.A.I. RTE.	SECTION	COUNTY	TOTAL SHEETS	SHEET NO.
I-64	*	JEFFERSON	1052	708
CONTRACT NO. 78604				

ILLINOIS FED. AID PROJECT

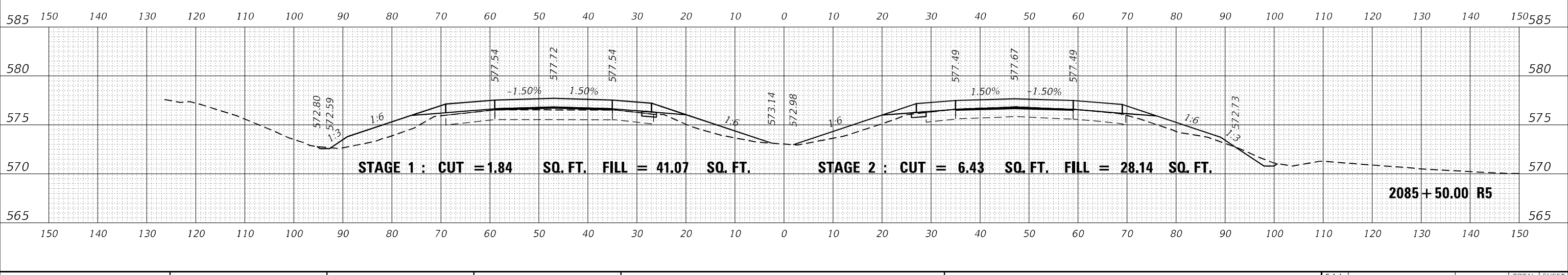
DATE	
BY	
FINAL SURVEY	SURVEYED
NOTE BOOK	PLOTTED
NO.	AREAS CHECKED



DATE	
BY	
ORIGINAL SURVEY	SURVEYED
NOTE BOOK	PLOTTED
NO.	AREAS CHECKED



DATE	
BY	
ORIGINAL SURVEY	SURVEYED
NOTE BOOK	PLOTTED
NO.	AREAS CHECKED



MODEL: D:\mfr\it
FILE NAME: ...029\8604-R5-R5-2.dgn

USER NAME = dhawes	DESIGNED -	REVISED -
	DRAWN -	REVISED -
PLOT SCALE = 20,0000' / in.	CHECKED -	REVISED -
PLOT DATE = 11/4/2022 - 9:33:14 AM	DATE -	REVISED -

**STATE OF ILLINOIS
DEPARTMENT OF TRANSPORTATION**

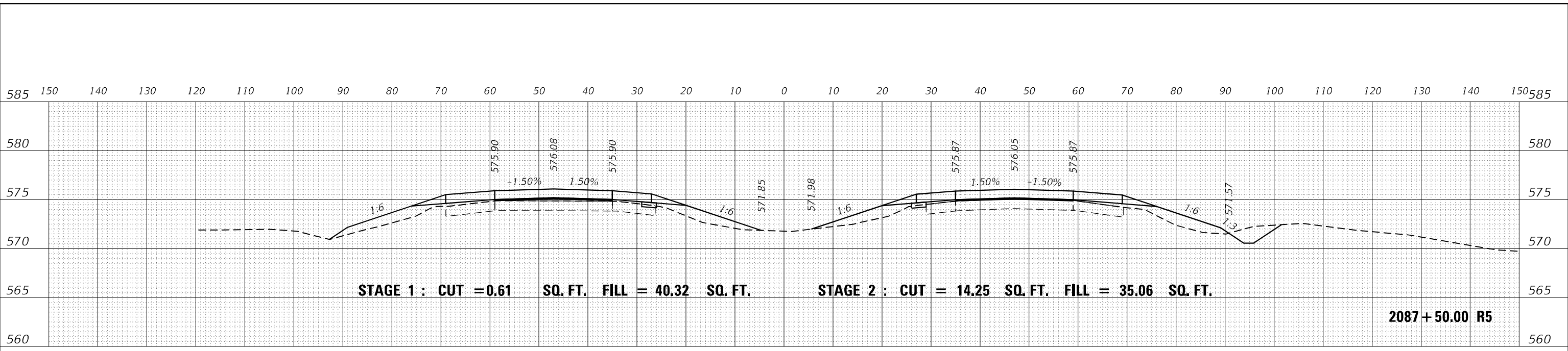
**INTERSTATE 64
CROSS SECTIONS**

SCALE: 50 SHEET OF SHEETS STA. 2085+50.00 R5 TO STA. 2086+00.00 R5

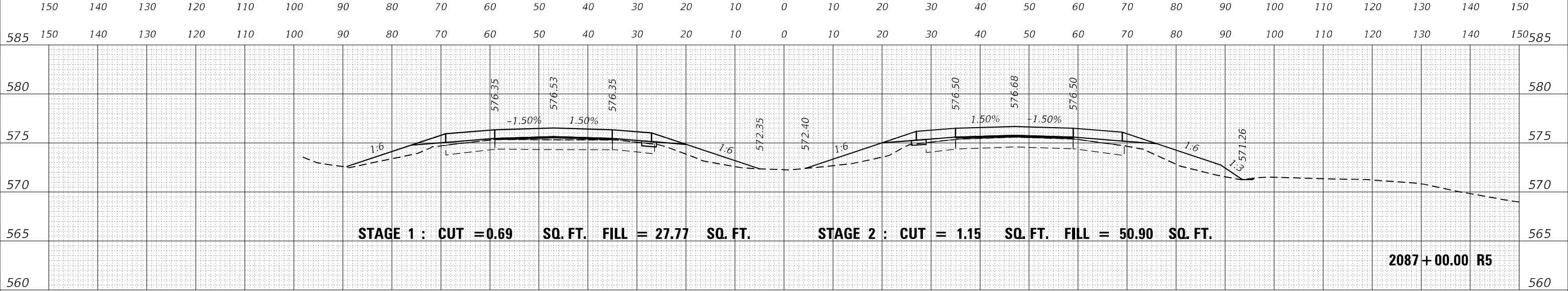
F.A.I. RTE.	SECTION	COUNTY	TOTAL SHEETS	SHEET NO.
I-64	*	JEFFERSON	1052	709
CONTRACT NO. 78604				

(41-6,41-6-1,41-7)RS-2;BSMART 2023

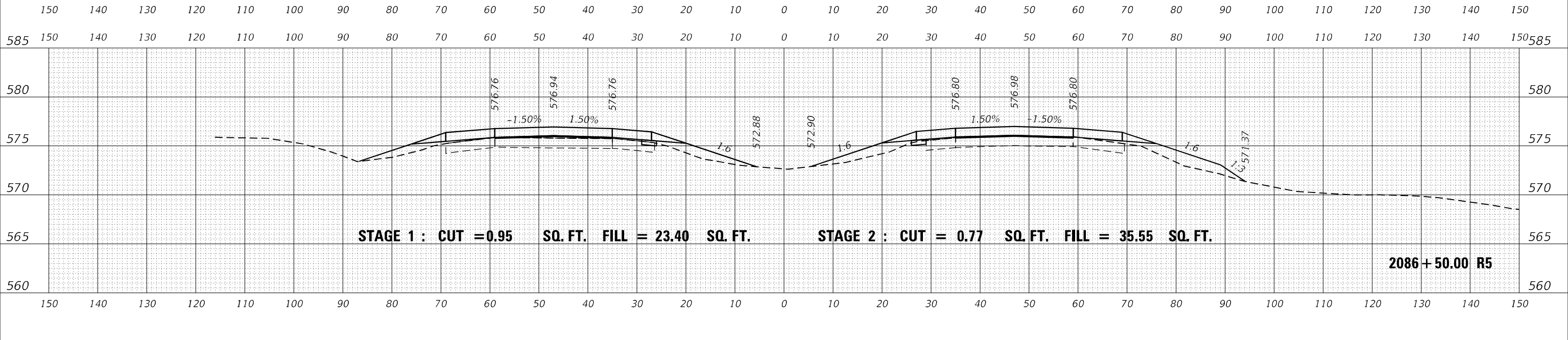
DATE	
BY	
FINAL SURVEY	SURVEYED
NOTE BOOK	PLOTTED
NO.	TEMPLATE
	AREAS CHECKED



DATE	
BY	
ORIGINAL SURVEY	SURVEYED
NOTE BOOK	PLOTTED
NO.	TEMPLATE
	AREAS CHECKED



DATE	
BY	
ORIGINAL SURVEY	SURVEYED
NOTE BOOK	PLOTTED
NO.	TEMPLATE
	AREAS CHECKED



USER NAME = dhawes	DESIGNED -	REVISED -
	DRAWN -	REVISED -
PLOT SCALE = 20,0000 * / in.	CHECKED -	REVISED -
PLOT DATE = 11/4/2022 - 9:33:15 AM	DATE -	REVISED -

**STATE OF ILLINOIS
DEPARTMENT OF TRANSPORTATION**

**INTERSTATE 64
CROSS SECTIONS**

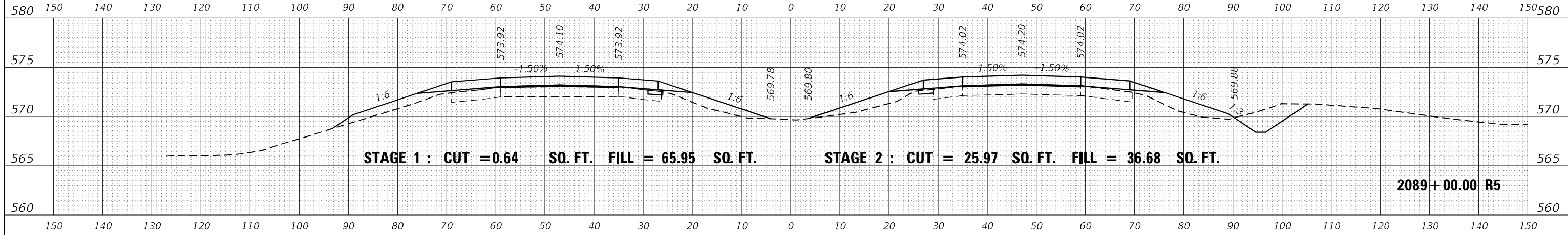
SCALE: 50 SHEET OF SHEETS STA. 2086+50.00 R5 TO STA. 2087+50.00 R5

F.A.I. RTE.	SECTION	COUNTY	TOTAL SHEETS	SHEET NO.
I-64	*	JEFFERSON	1052	710
			CONTRACT NO. 78604	

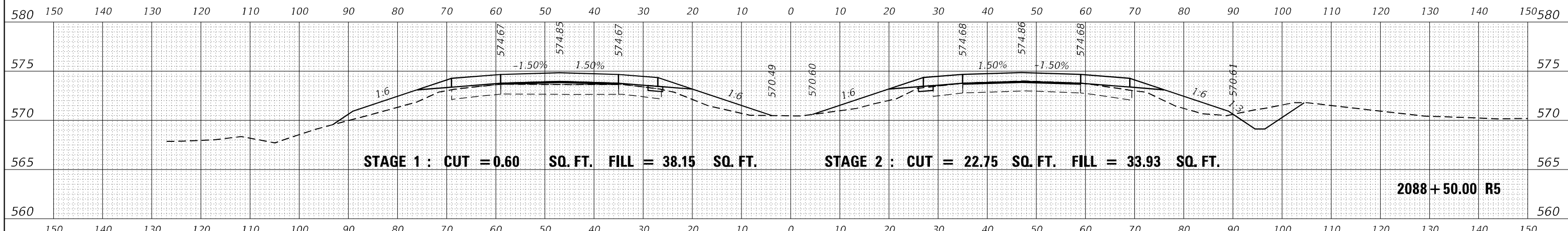
MODEL: D:\mfr\it\10978604\RS-R5.dgn
FILE NAME: ...10978604\RS-R5.dgn

* (41-6,41-6-1,41-7)RS-2;BSMART 2023

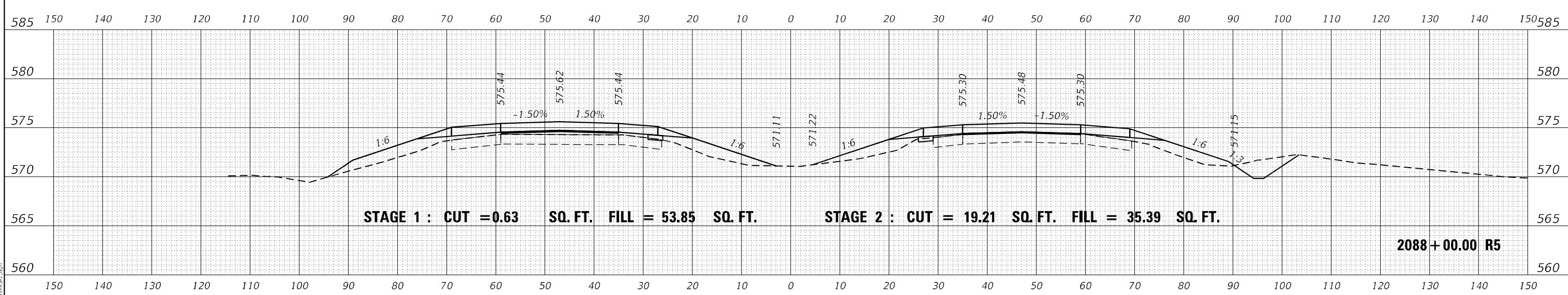
DATE	
BY	
FINAL SURVEY	SURVEYED
NOTE BOOK	PLOTTED
NO.	AREAS CHECKED



DATE	
BY	
ORIGINAL SURVEY	SURVEYED
NOTE BOOK	PLOTTED
NO.	AREAS CHECKED



DATE	
BY	
ORIGINAL SURVEY	SURVEYED
NOTE BOOK	PLOTTED
NO.	AREAS CHECKED



MODEL: D:\mfr\...
 FILE NAME: ...029\8604-R5-XS-2.dgn

USER NAME = dhawes	DESIGNED -	REVISED -
PLOT SCALE = 20,0000 * / in.	DRAWN -	REVISED -
PLOT DATE = 11/4/2022 - 9:33:15 AM	CHECKED -	REVISED -
	DATE -	REVISED -

STATE OF ILLINOIS
DEPARTMENT OF TRANSPORTATION

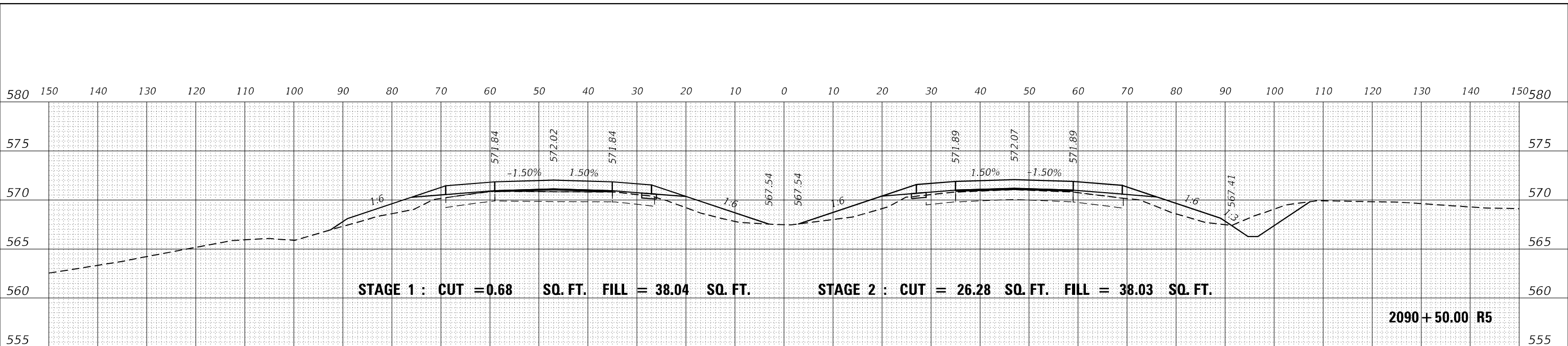
SCALE: 50	SHEET	OF	SHEETS	STA. 2088+00.00 R5 TO STA. 2089+00.00 R5
-----------	-------	----	--------	--

INTERSTATE 64
CROSS SECTIONS

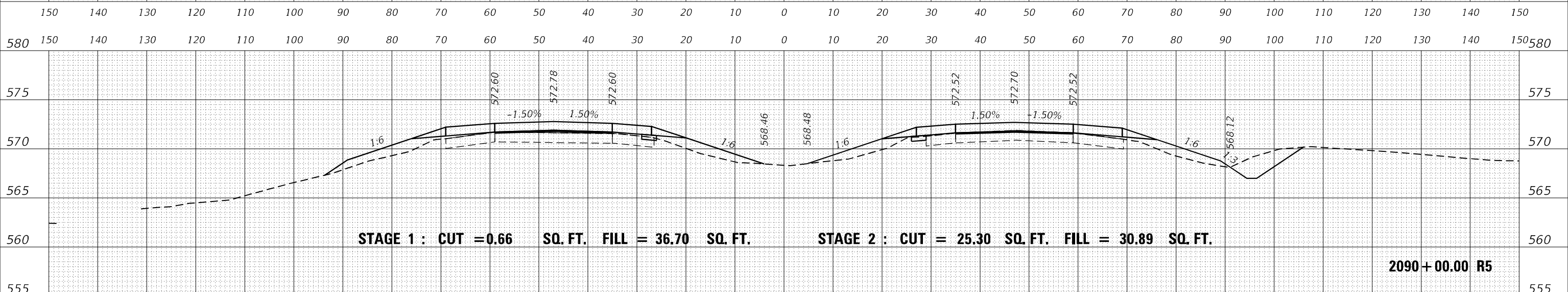
F.A.I. RTE.	SECTION	COUNTY	TOTAL SHEETS	SHEET NO.
I-64	*	JEFFERSON	1052	711
CONTRACT NO. 78604				

* (41-6,41-6-1,41-7)RS-2;BSMART 2023

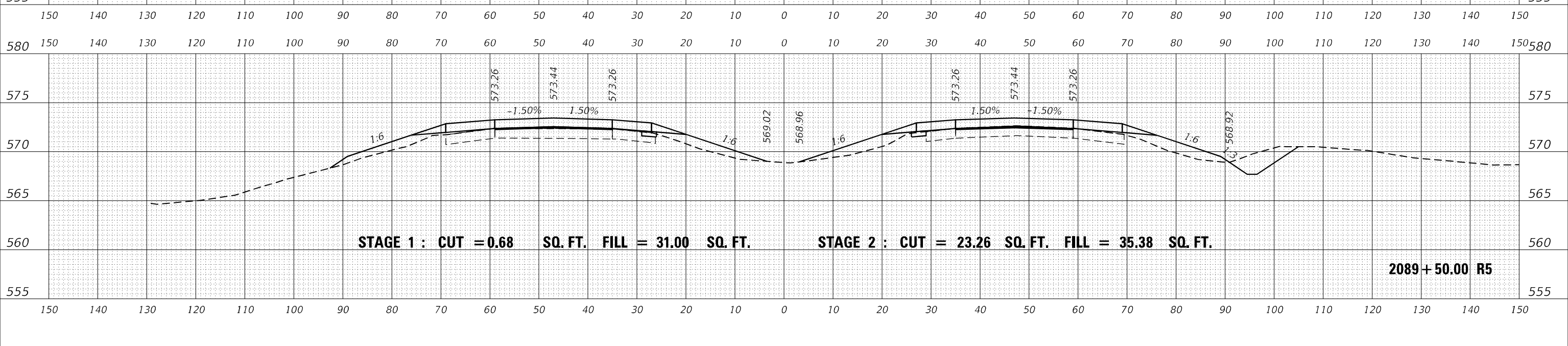
DATE	
BY	
FINAL SURVEY	SURVEYED
NOTE BOOK	PLOTTED
NO.	TEMPLATE
	AREAS CHECKED



DATE	
BY	
ORIGINAL SURVEY	SURVEYED
NOTE BOOK	PLOTTED
NO.	TEMPLATE
	AREAS CHECKED



DATE	
BY	
ORIGINAL SURVEY	SURVEYED
NOTE BOOK	PLOTTED
NO.	TEMPLATE
	AREAS CHECKED



MODEL: D:\mfr\...
FILE NAME: ...029\8604-R5-RS-2.dgn

USER NAME = dhawes	DESIGNED -	REVISED -
	DRAWN -	REVISED -
PLOT SCALE = 20,0000 * / in.	CHECKED -	REVISED -
PLOT DATE = 11/4/2022 - 9:33:16 AM	DATE -	REVISED -

**STATE OF ILLINOIS
DEPARTMENT OF TRANSPORTATION**

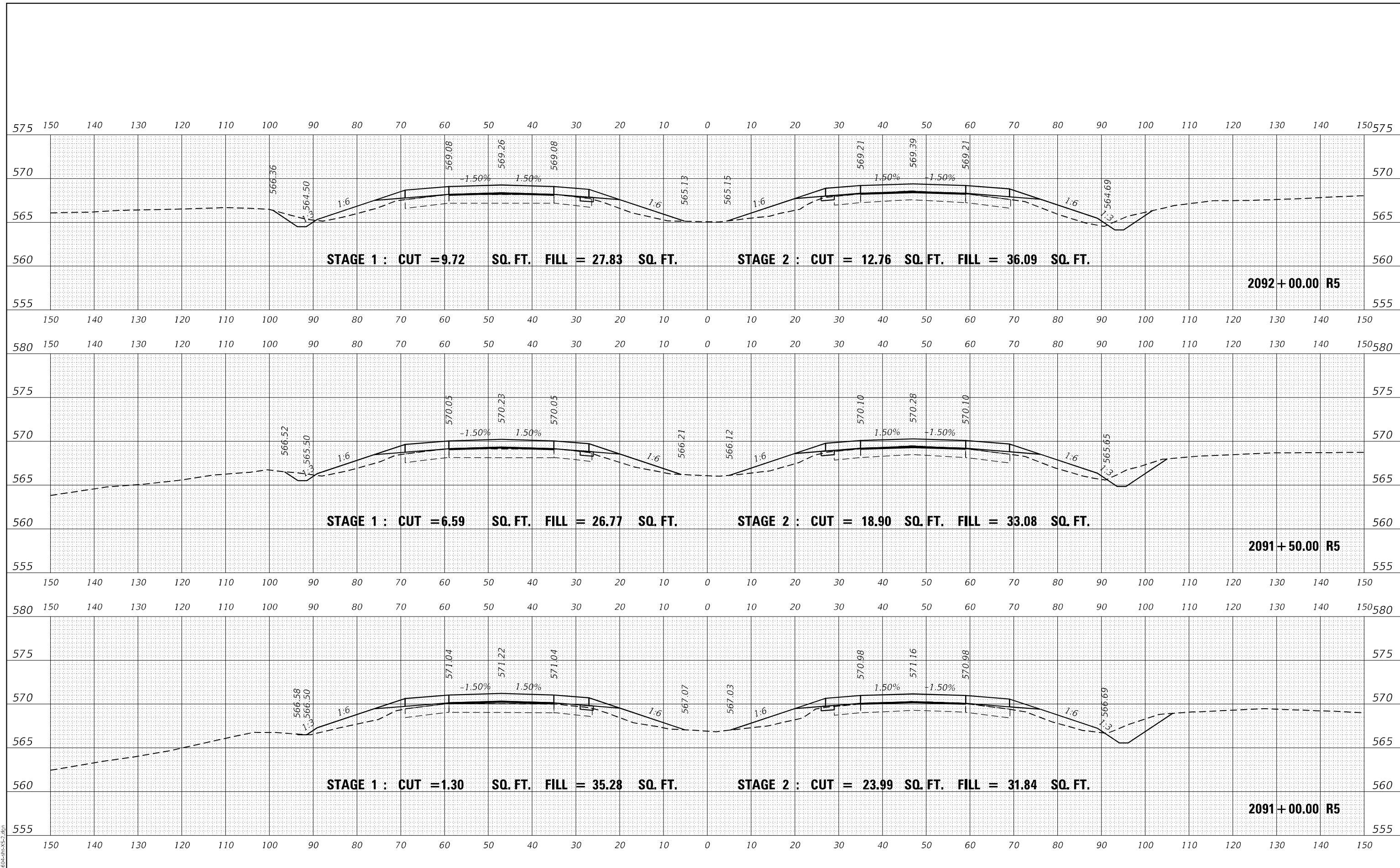
**INTERSTATE 64
CROSS SECTIONS**

SCALE: 50 SHEET OF SHEETS STA. 2089+50.00 R5 TO STA. 2090+50.00 R5

F.A.I. RTE.	SECTION	COUNTY	TOTAL SHEETS	SHEET NO.
I-64	*	JEFFERSON	1052	712
CONTRACT NO. 78604				

DATE	
BY	
SURVEYED	
PLOTTED	
TEMPLATE	
NOTE BOOK	
AREAS CHECKED	
NO.	

DATE	
BY	
SURVEYED	
PLOTTED	
TEMPLATE	
NOTE BOOK	
AREAS CHECKED	
NO.	



MODEL: D:\mfr\...
 FILE NAME: ...029\8604-R5-XS-2.dgn

USER NAME = dhawes	DESIGNED -	REVISED -
	DRAWN -	REVISED -
PLOT SCALE = 20,0000 * / in.	CHECKED -	REVISED -
PLOT DATE = 11/4/2022 - 9:33:16 AM	DATE -	REVISED -

**STATE OF ILLINOIS
 DEPARTMENT OF TRANSPORTATION**

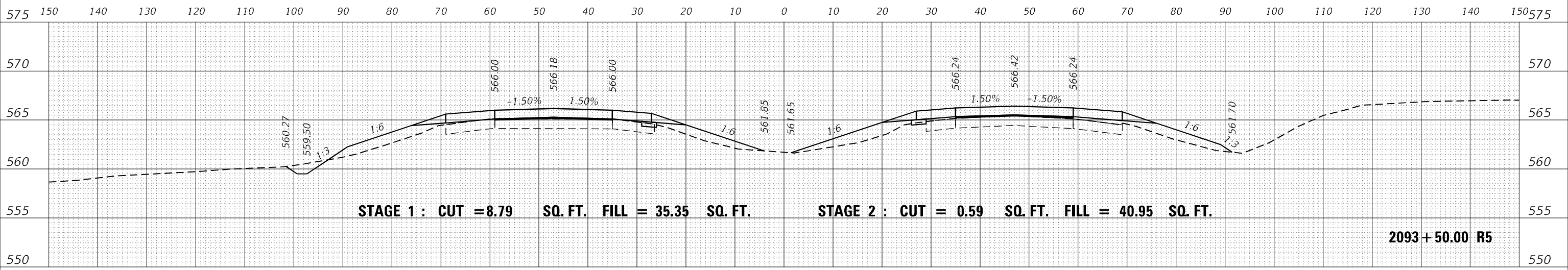
**INTERSTATE 64
 CROSS SECTIONS**

SCALE: 50 SHEET OF SHEETS STA. 2091+00.00 R5 TO STA. 2092+00.00 R5

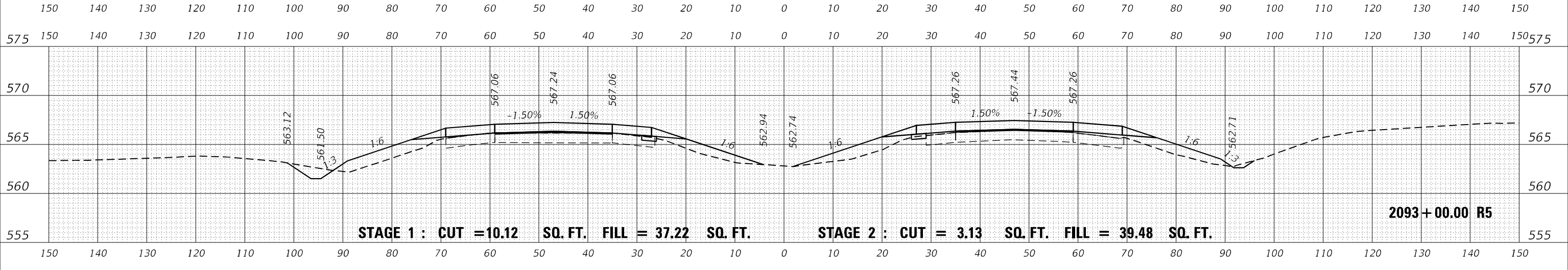
F.A.I. RTE.	SECTION	COUNTY	TOTAL SHEETS	SHEET NO.
I-64	*	JEFFERSON	1052	713
			CONTRACT NO. 78604	

* (41-6,41-6-1,41-7)RS-2;BSMART 2023

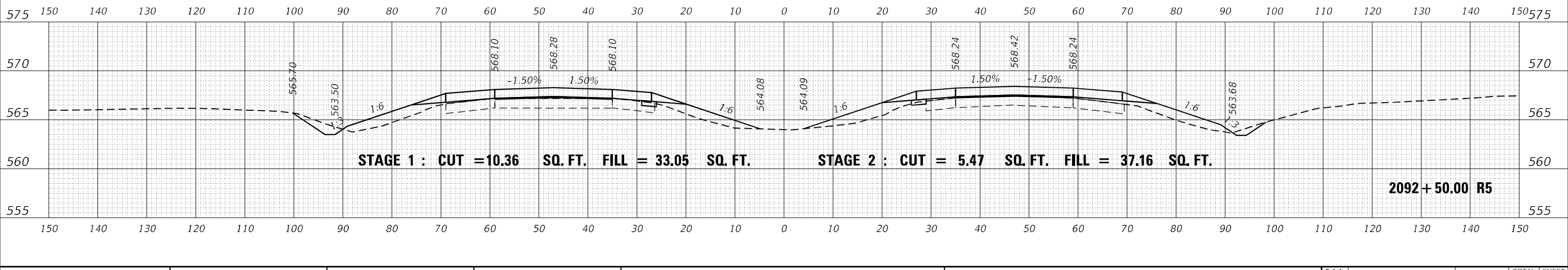
DATE	
BY	
FINAL SURVEY	SURVEYED
NOTE BOOK	PLOTTED
NO.	TEMPLATE
	AREAS CHECKED



DATE	
BY	
ORIGINAL SURVEY	SURVEYED
NOTE BOOK	PLOTTED
NO.	TEMPLATE
	AREAS CHECKED



DATE	
BY	
ORIGINAL SURVEY	SURVEYED
NOTE BOOK	PLOTTED
NO.	TEMPLATE
	AREAS CHECKED



MODEL: D:\mfr\...
FILE NAME: ...

USER NAME = dhawes	DESIGNED -	REVISED -
	DRAWN -	REVISED -
PLOT SCALE = 20,0000 * / in.	CHECKED -	REVISED -
PLOT DATE = 11/4/2022 - 9:33:17 AM	DATE -	REVISED -

**STATE OF ILLINOIS
DEPARTMENT OF TRANSPORTATION**

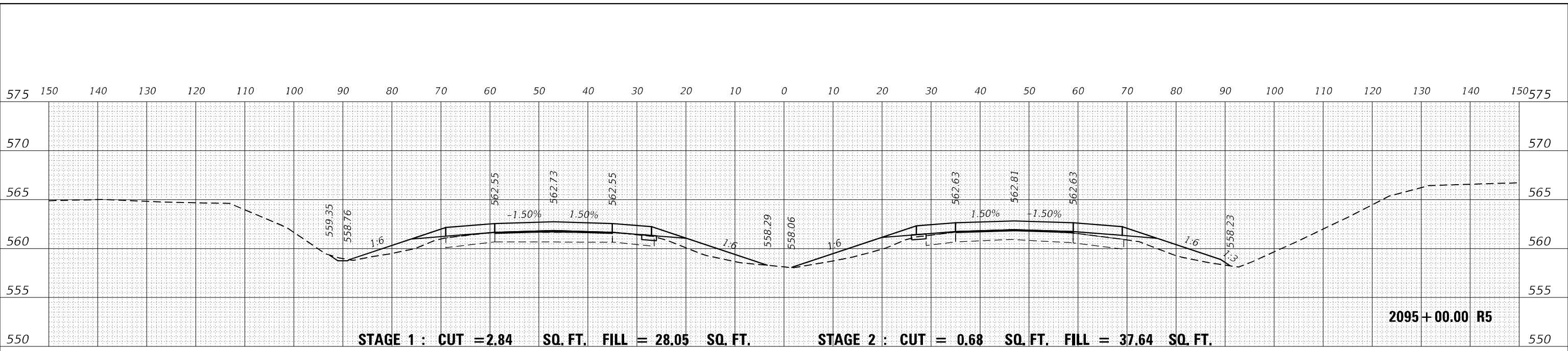
**INTERSTATE 64
CROSS SECTIONS**

SCALE: 50 SHEET OF SHEETS STA. 2092+50.00 R5 TO STA. 2093+50.00 R5

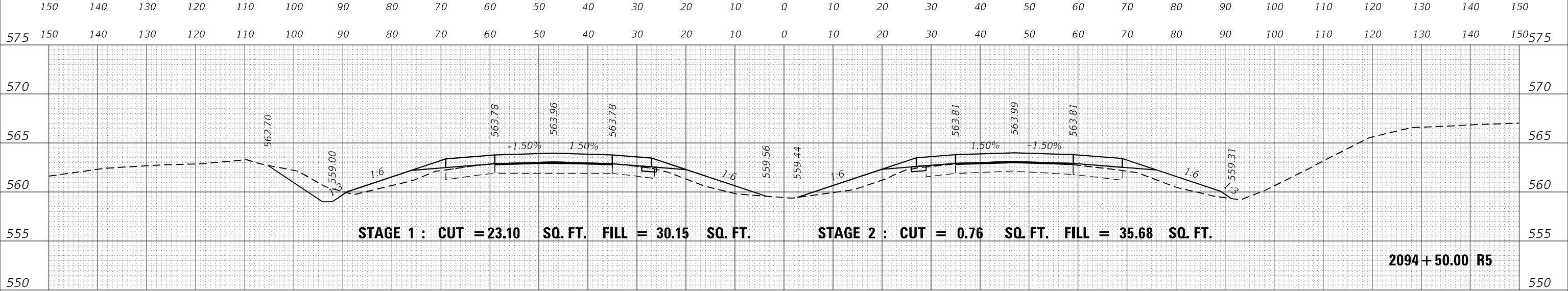
F.A.I. RTE.	SECTION	COUNTY	TOTAL SHEETS	SHEET NO.
I-64	*	JEFFERSON	1052	714
			CONTRACT NO. 78604	
			ILLINOIS FED. AID PROJECT	

(41-6,41-6-1,41-7)RS-2;BSMART 2023

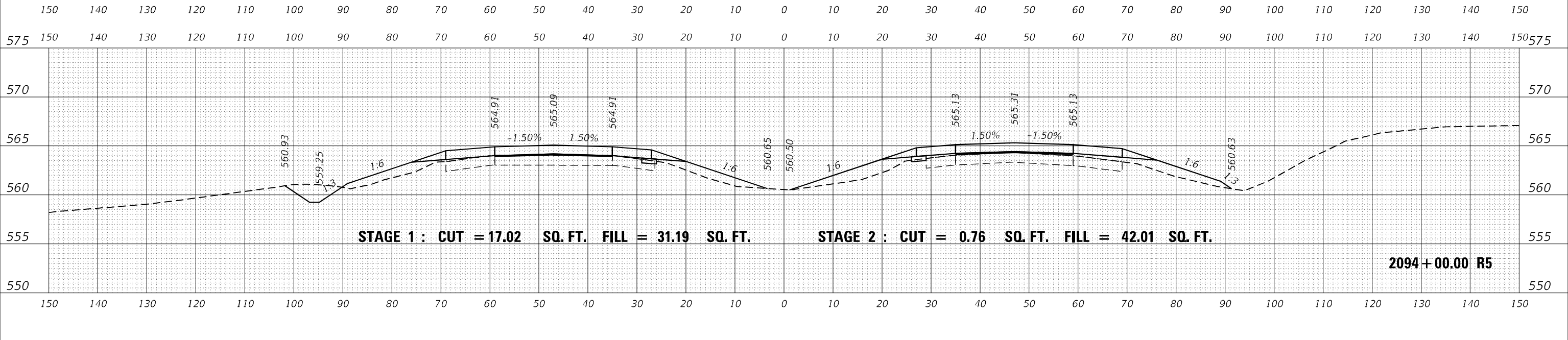
DATE	
BY	
FINAL SURVEY	SURVEYED
NOTE BOOK	PLOTTED
NO.	TEMPLATE
	AREAS
	CHECKED



DATE	
BY	
ORIGINAL SURVEY	SURVEYED
NOTE BOOK	PLOTTED
NO.	TEMPLATE
	AREAS
	CHECKED



DATE	
BY	
ORIGINAL SURVEY	SURVEYED
NOTE BOOK	PLOTTED
NO.	TEMPLATE
	AREAS
	CHECKED



USER NAME = dhawes	DESIGNED -	REVISED -
	DRAWN -	REVISED -
PLOT SCALE = 20,000' / in.	CHECKED -	REVISED -
PLOT DATE = 11/4/2022 - 9:33:17 AM	DATE -	REVISED -

**STATE OF ILLINOIS
DEPARTMENT OF TRANSPORTATION**

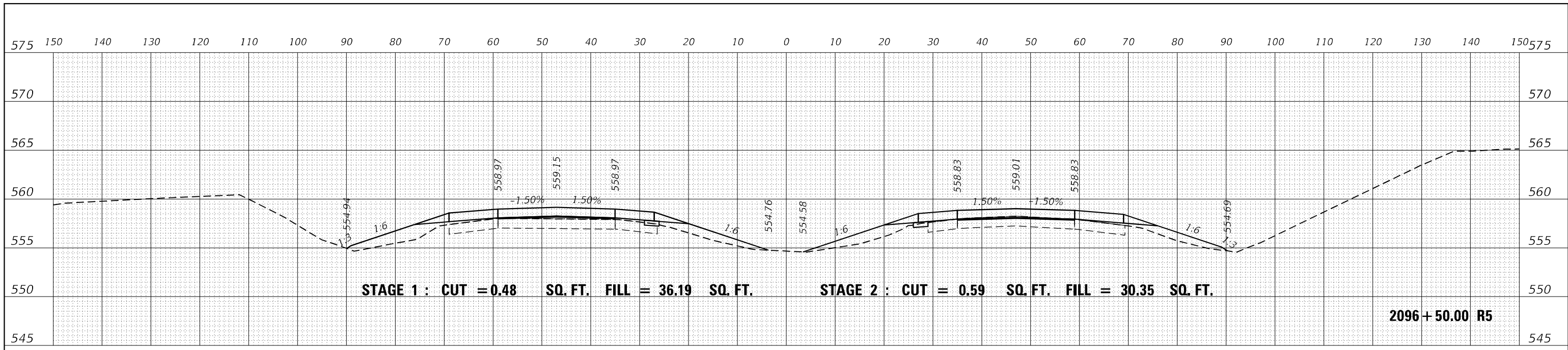
**INTERSTATE 64
CROSS SECTIONS**

SCALE: 50 SHEET OF SHEETS STA. 2094+00.00 R5 TO STA. 2095+00.00 R5

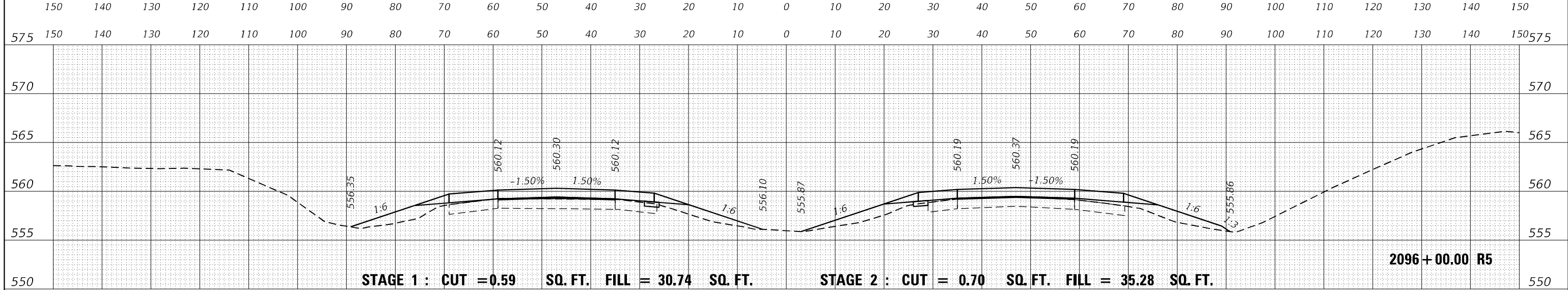
F.A.I. RTE.	SECTION	COUNTY	TOTAL SHEETS	SHEET NO.
I-64	*	JEFFERSON	1052	715
			CONTRACT NO. 78604	

* (41-6,41-6-1,41-7)RS-2;BSMART 2023

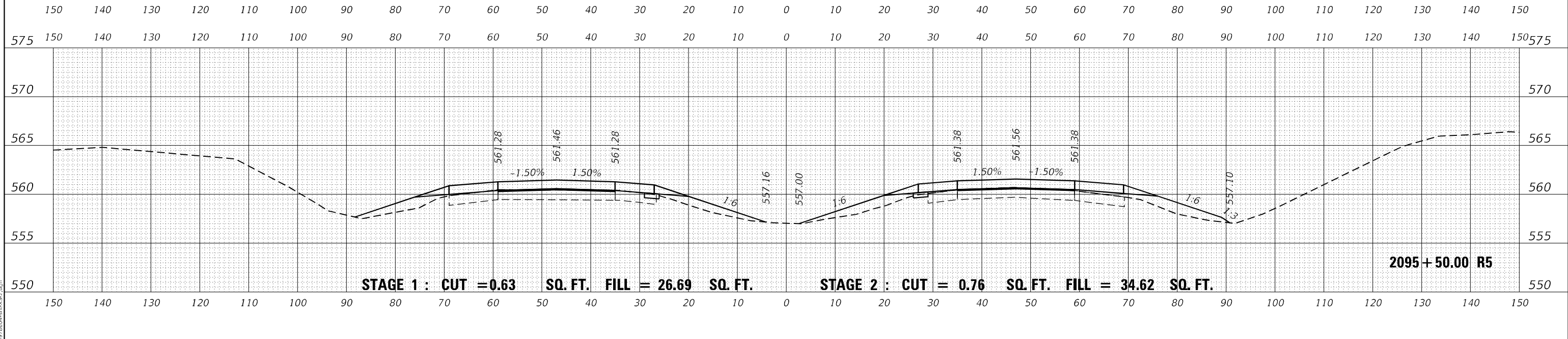
DATE	
BY	
FINAL SURVEY	SURVEYED
NOTE BOOK	PLOTTED
NO.	TEMPLATE
	AREAS
	CHECKED



DATE	
BY	
ORIGINAL SURVEY	SURVEYED
NOTE BOOK	PLOTTED
NO.	TEMPLATE
	AREAS
	CHECKED



DATE	
BY	
ORIGINAL SURVEY	SURVEYED
NOTE BOOK	PLOTTED
NO.	TEMPLATE
	AREAS
	CHECKED



MODEL: D:\mfr\it
FILE NAME: ...029\8604-R5-R5-2.dgn

USER NAME = dhawes	DESIGNED -	REVISED -
	DRAWN -	REVISED -
PLOT SCALE = 20,0000' / in.	CHECKED -	REVISED -
PLOT DATE = 11/4/2022 - 9:33:18 AM	DATE -	REVISED -

**STATE OF ILLINOIS
DEPARTMENT OF TRANSPORTATION**

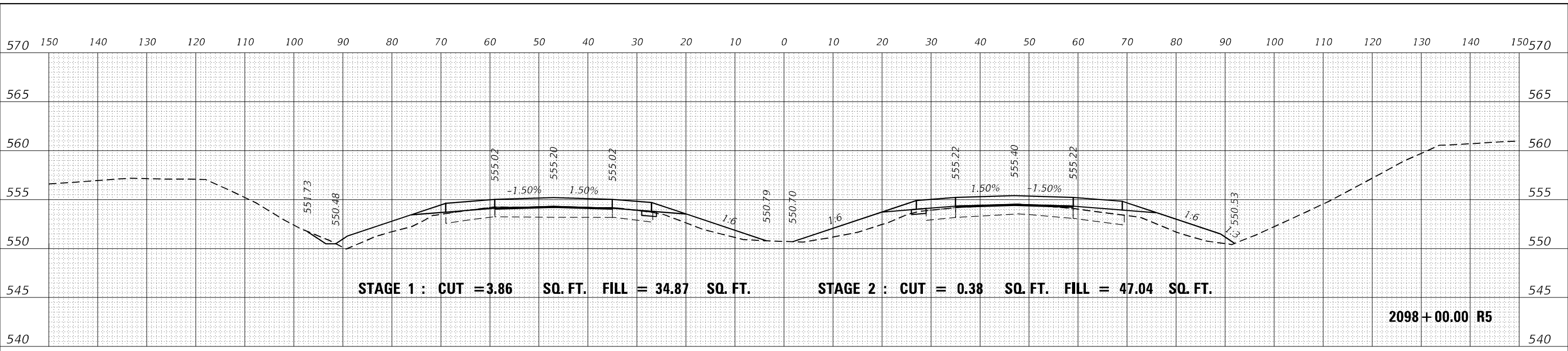
**INTERSTATE 64
CROSS SECTIONS**

SCALE: 50 SHEET OF SHEETS STA. 2095+50.00 R5 TO STA. 2096+50.00 R5

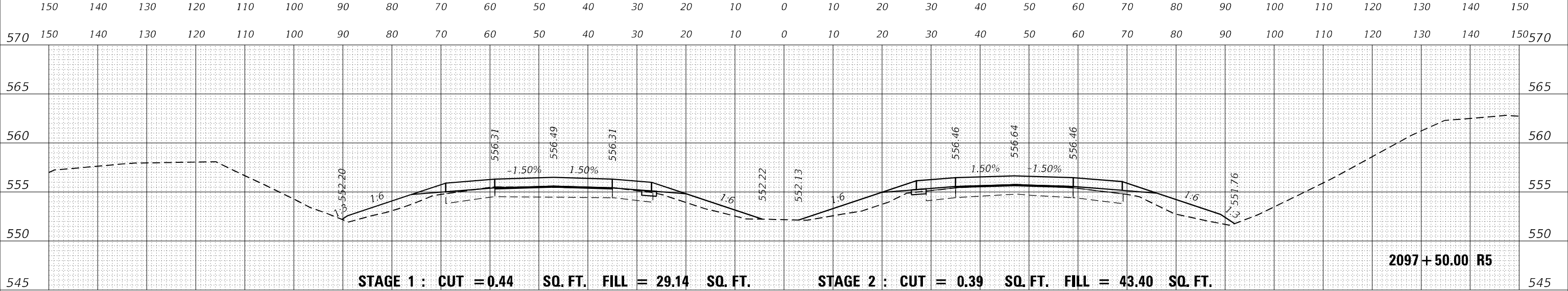
F.A.I. RTE.	SECTION	COUNTY	TOTAL SHEETS	SHEET NO.
I-64	*	JEFFERSON	1052	716
			CONTRACT NO. 78604	

(41-6,41-6-1,41-7)RS-2;BSMART 2023

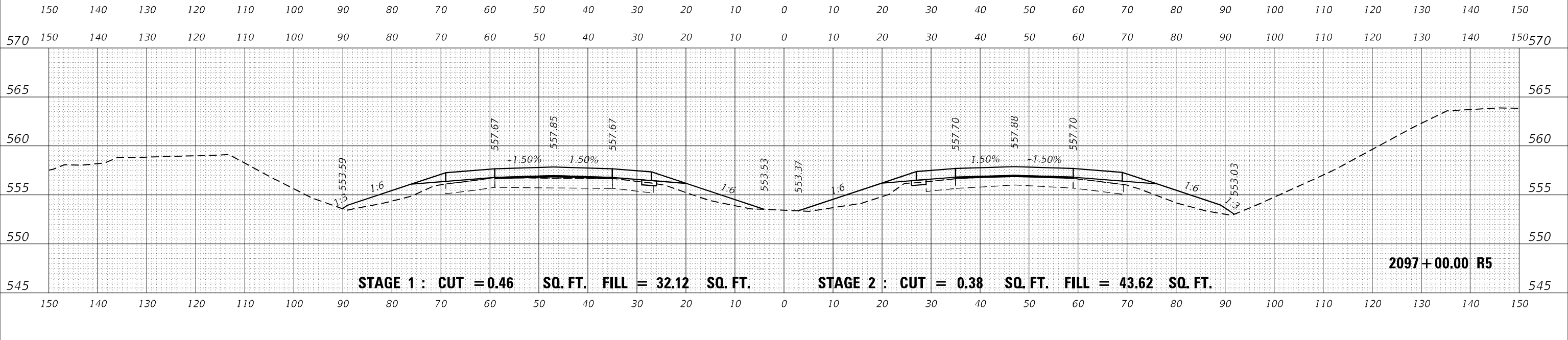
DATE	
BY	
SURVEYED	
PLOTTED	
TEMPLATE	
NOTE BOOK	
AREAS	
AREAS CHECKED	



DATE	
BY	
SURVEYED	
PLOTTED	
TEMPLATE	
NOTE BOOK	
AREAS	
AREAS CHECKED	



DATE	
BY	
SURVEYED	
PLOTTED	
TEMPLATE	
NOTE BOOK	
AREAS	
AREAS CHECKED	



MODEL: D:\mfr\it
FILE NAME: ...02976604-R5-S-2.dgn

USER NAME = dhawes	DESIGNED -	REVISED -
	DRAWN -	REVISED -
PLOT SCALE = 20,0000 * / in.	CHECKED -	REVISED -
PLOT DATE = 11/4/2022 - 9:33:19 AM	DATE -	REVISED -

**STATE OF ILLINOIS
DEPARTMENT OF TRANSPORTATION**

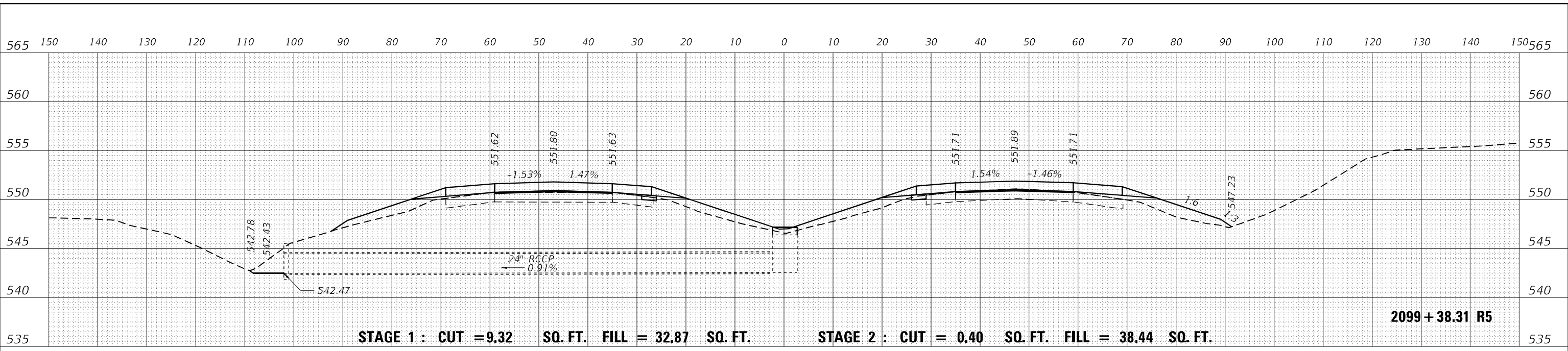
**INTERSTATE 64
CROSS SECTIONS**

SCALE: 50 SHEET OF SHEETS STA. 2097+00.00 R5 TO STA. 2098+00.00 R5

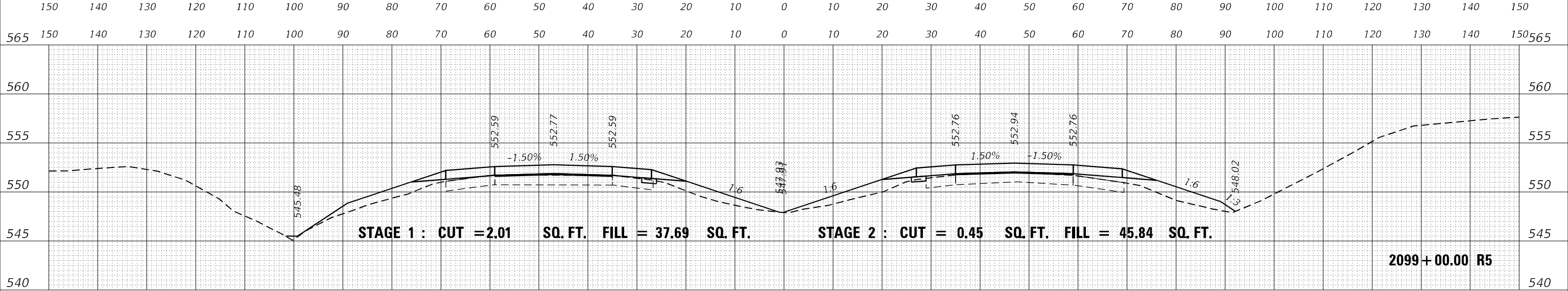
F.A.I. RTE.	SECTION	COUNTY	TOTAL SHEETS	SHEET NO.
I-64	*	JEFFERSON	1052	717
CONTRACT NO. 78604				

* (41-6,41-6-1,41-7)RS-2;BSMART 2023

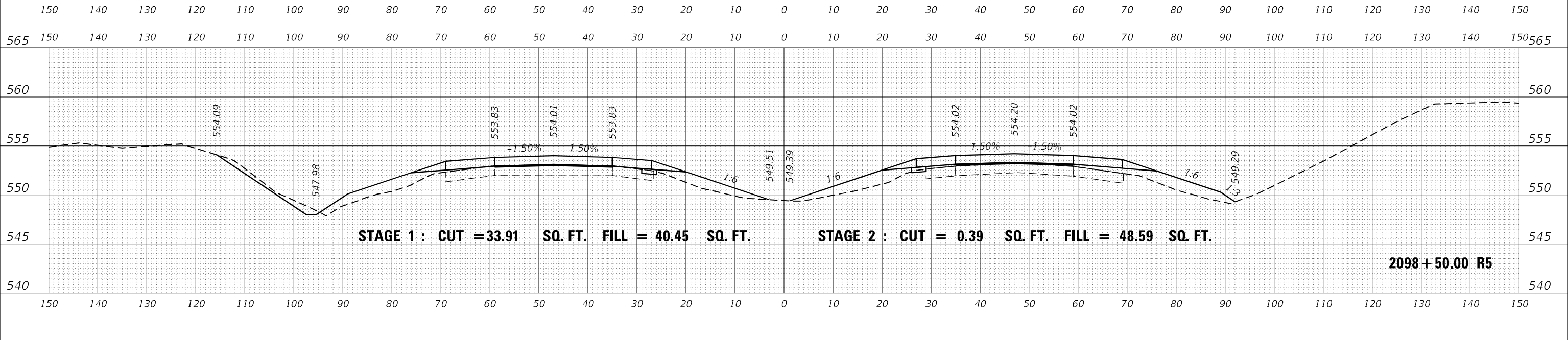
DATE	
BY	
FINAL SURVEY	SURVEYED
NOTE BOOK	PLOTTED
NO.	TEMPLATE
	AREAS
	CHECKED



DATE	
BY	
ORIGINAL SURVEY	SURVEYED
NOTE BOOK	PLOTTED
NO.	TEMPLATE
	AREAS
	CHECKED



DATE	
BY	
ORIGINAL SURVEY	SURVEYED
NOTE BOOK	PLOTTED
NO.	TEMPLATE
	AREAS
	CHECKED



MODEL: D:\mfr\it
FILE NAME: ...09\8604-R5-R5-2.dgn

USER NAME = dhawes	DESIGNED -	REVISED -
	DRAWN -	REVISED -
PLOT SCALE = 20,0000' / in.	CHECKED -	REVISED -
PLOT DATE = 11/4/2022 - 9:33:19 AM	DATE -	REVISED -

**STATE OF ILLINOIS
DEPARTMENT OF TRANSPORTATION**

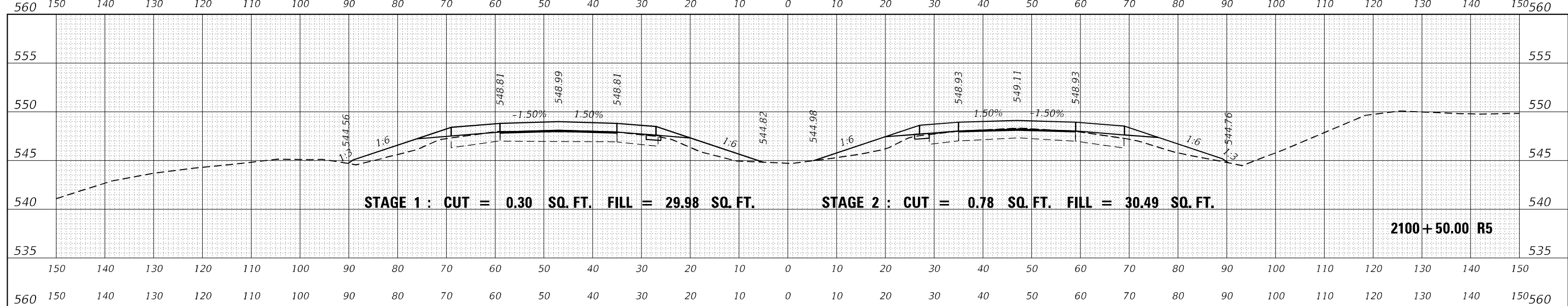
**INTERSTATE 64
CROSS SECTIONS**

SCALE: 50 SHEET OF SHEETS STA. 2098+50.00 R5 TO STA. 2099+38.31 R5

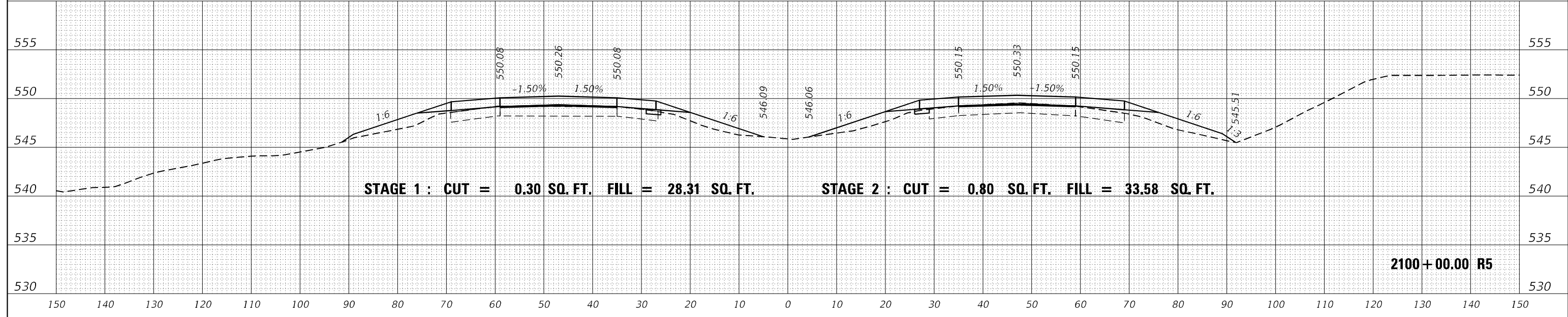
F.A.I. RTE.	SECTION	COUNTY	TOTAL SHEETS	SHEET NO.
I-64	*	JEFFERSON	1052	718
			CONTRACT NO. 78604	

* (41-6,41-6-1,41-7)RS-2;BSMART 2023

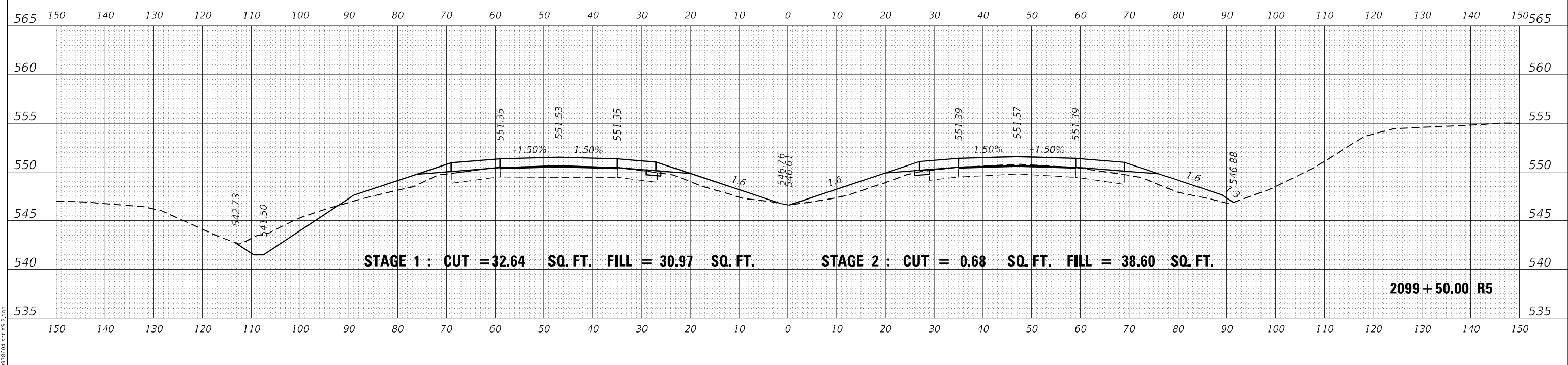
DATE	
BY	
FINAL SURVEY	SURVEYED
NOTE BOOK	PLOTTED
NO.	TEMPLATE
	AREAS
	CHECKED



DATE	
BY	
ORIGINAL SURVEY	SURVEYED
NOTE BOOK	PLOTTED
NO.	TEMPLATE
	AREAS
	CHECKED



MODEL: D:\mfr\h
FILE NAME: ...029\8604-R5-VS-2.dgn



USER NAME = dhawes	DESIGNED -	REVISED -
	DRAWN -	REVISED -
PLOT SCALE = 20,0000 * / in.	CHECKED -	REVISED -
PLOT DATE = 11/4/2022 - 9:33:20 AM	DATE -	REVISED -

**STATE OF ILLINOIS
DEPARTMENT OF TRANSPORTATION**

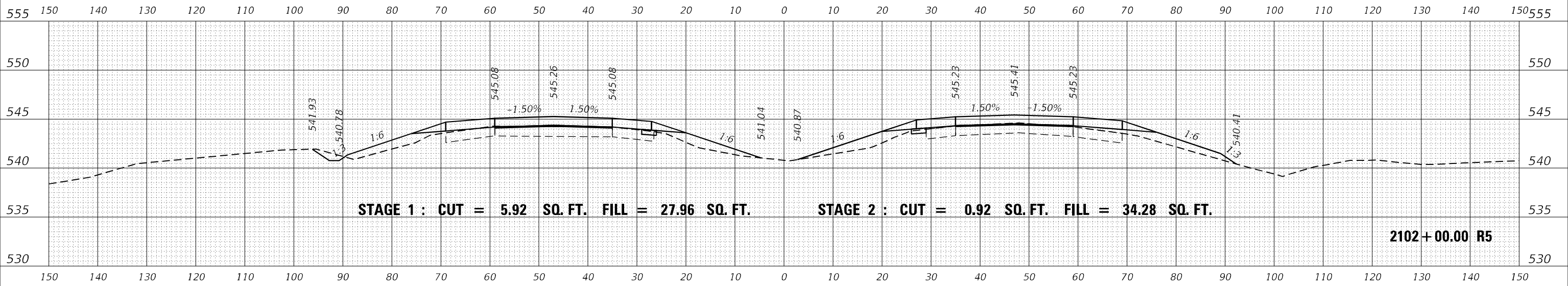
**INTERSTATE 64
CROSS SECTIONS**

SCALE: 50 SHEET OF SHEETS STA. 2099+50.00 R5 TO STA. 2100+50.00 R5

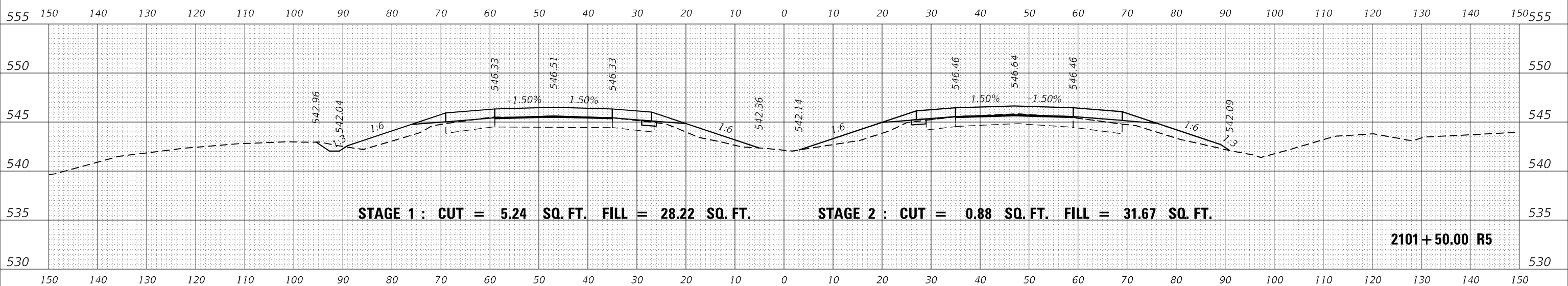
F.A.I. RTE.	SECTION	COUNTY	TOTAL SHEETS	SHEET NO.
I-64	*	JEFFERSON	1052	719
			CONTRACT NO. 78604	

(41-6,41-6-1,41-7)RS-2;BSMART 2023

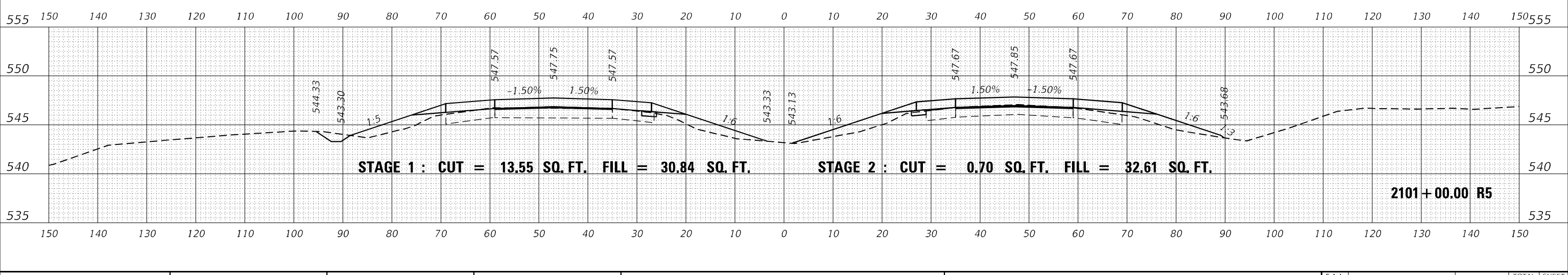
DATE	
BY	
FINAL SURVEY	SURVEYED
NOTE BOOK	PLOTTED
NO.	AREAS CHECKED



DATE	
BY	
ORIGINAL SURVEY	SURVEYED
NOTE BOOK	PLOTTED
NO.	AREAS CHECKED



DATE	
BY	
ORIGINAL SURVEY	SURVEYED
NOTE BOOK	PLOTTED
NO.	AREAS CHECKED



MODEL: D:\mfr\it
FILE NAME: ...029\8604-R5-RS-2.dgn

USER NAME = dhawes	DESIGNED -	REVISED -
PLOT SCALE = 20,0000 * / in.	DRAWN -	REVISED -
PLOT DATE = 11/4/2022 - 9:33:20 AM	CHECKED -	REVISED -
	DATE -	REVISED -

**STATE OF ILLINOIS
DEPARTMENT OF TRANSPORTATION**

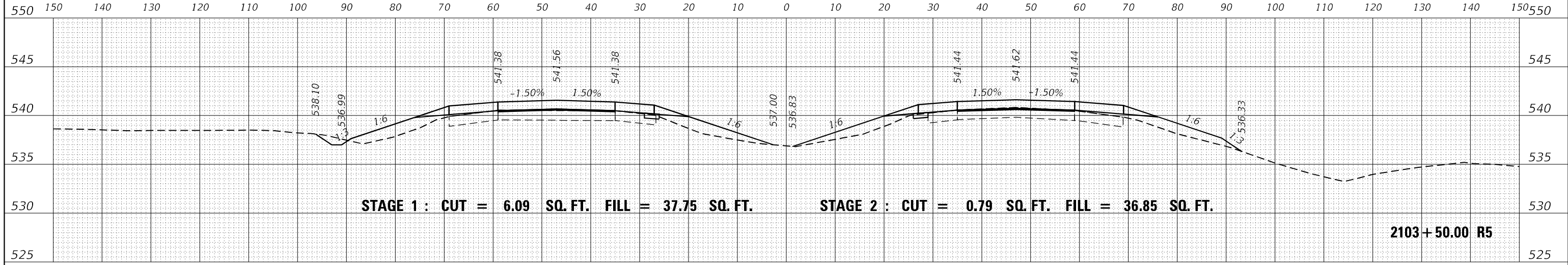
**INTERSTATE 64
CROSS SECTIONS**

SCALE: 50 SHEET OF SHEETS STA. 2101+00.00 R5 TO STA. 2102+00.00 R5

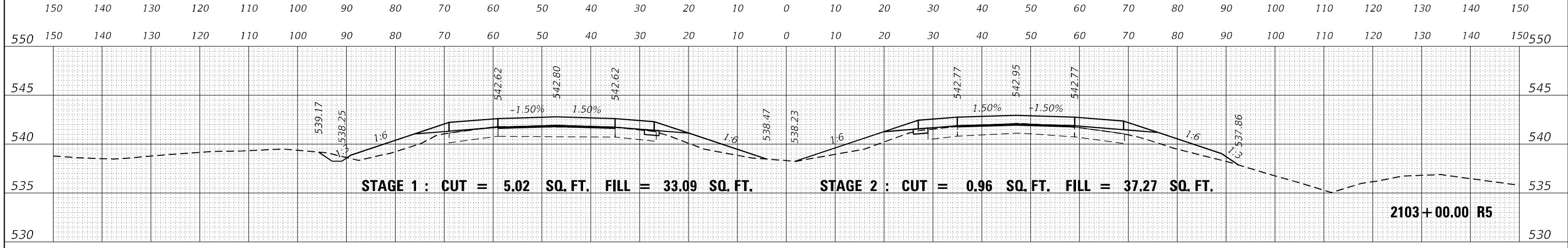
F.A.I. RTE.	SECTION	COUNTY	TOTAL SHEETS	SHEET NO.
I-64	*	JEFFERSON	1052	720
			CONTRACT NO. 78604	

(41-6,41-6-1,41-7)RS-2;BSMART 2023

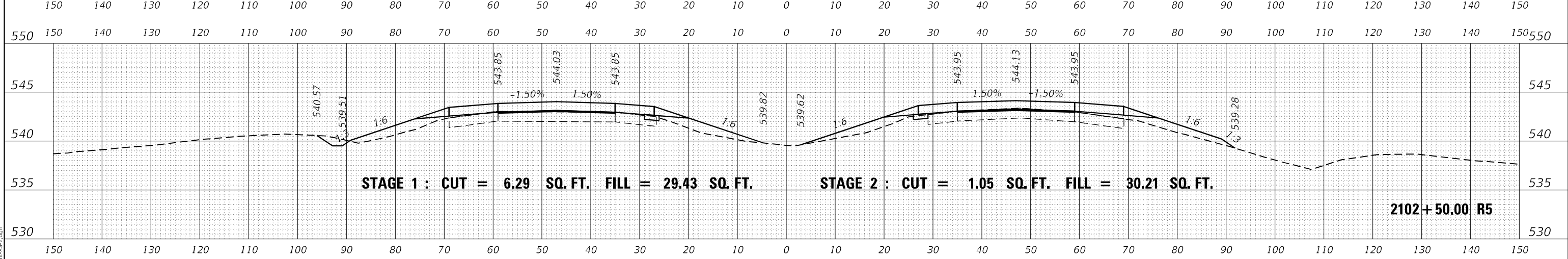
DATE	
BY	
FINAL SURVEY	SURVEYED
NOTE BOOK	PLOTTED
NO.	TEMPLATE
	AREAS
	CHECKED



DATE	
BY	
ORIGINAL SURVEY	SURVEYED
NOTE BOOK	PLOTTED
NO.	TEMPLATE
	AREAS
	CHECKED



DATE	
BY	
ORIGINAL SURVEY	SURVEYED
NOTE BOOK	PLOTTED
NO.	TEMPLATE
	AREAS
	CHECKED



MODEL: D:\mfr\119...
FILE NAME: ...029\8604-R5-XS-2.dgn

USER NAME = dhawes	DESIGNED -	REVISED -
	DRAWN -	REVISED -
PLOT SCALE = 20,0000 * / in.	CHECKED -	REVISED -
PLOT DATE = 11/4/2022 - 9:33:21 AM	DATE -	REVISED -

**STATE OF ILLINOIS
DEPARTMENT OF TRANSPORTATION**

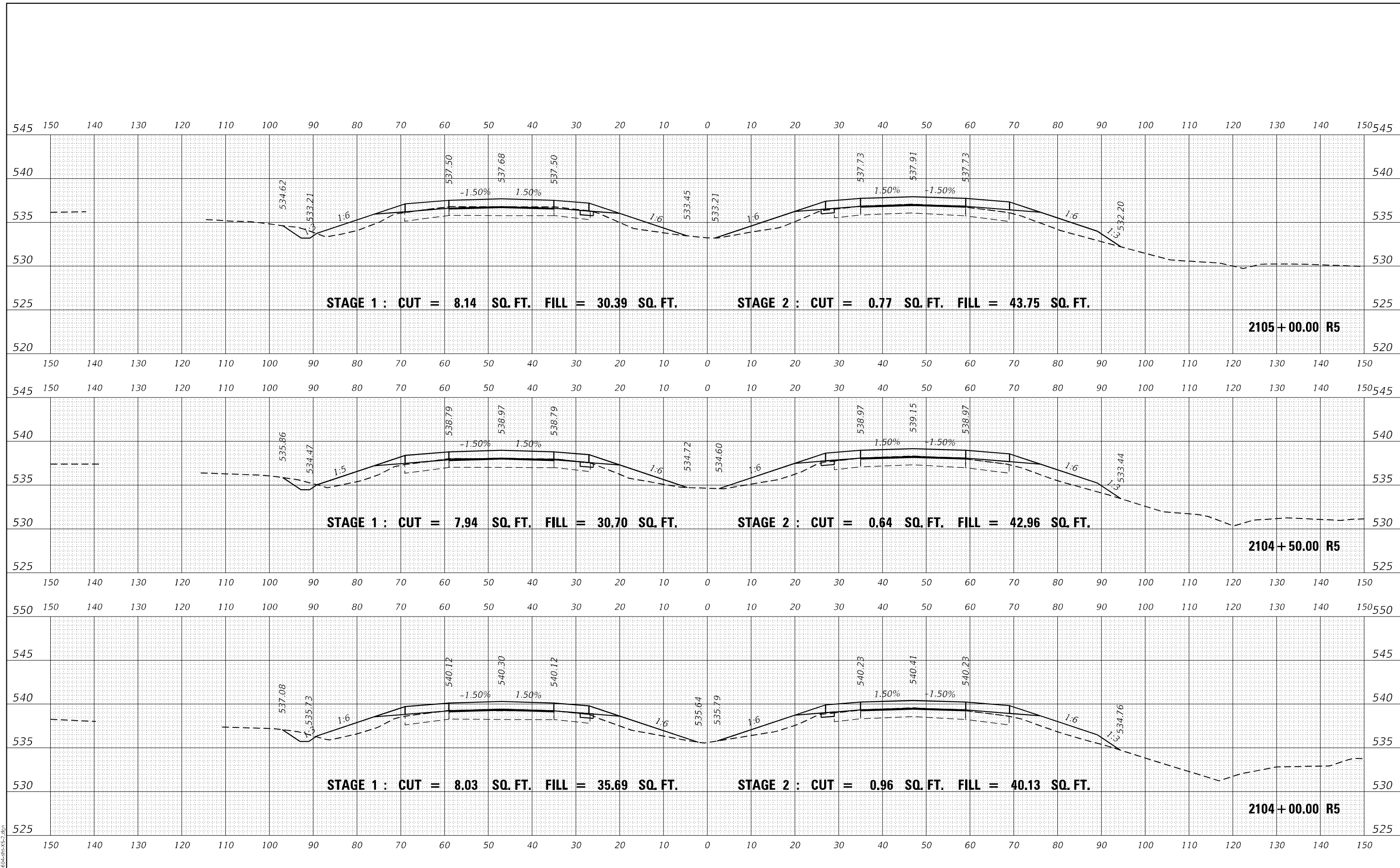
**INTERSTATE 64
CROSS SECTIONS**

SCALE: 50 SHEET OF SHEETS STA. 2102+50.00 R5 TO STA. 2103+50.00 R5

F.A.I. RTE.	SECTION	COUNTY	TOTAL SHEETS	SHEET NO.
I-64	*	JEFFERSON	1052	721
CONTRACT NO. 78604				
ILLINOIS FED. AID PROJECT				

DATE	
BY	
FINAL SURVEY	SURVEYED
NOTE BOOK	PLOTTED
NO.	AREAS CHECKED

DATE	
BY	
ORIGINAL SURVEY	SURVEYED
NOTE BOOK	PLOTTED
NO.	AREAS CHECKED



MODEL: D:\mfrh
FILE NAME: ...029\8604-R5-R5-2.dgn

USER NAME = dhawes	DESIGNED -	REVISED -
PLOT SCALE = 20,0000' / in.	DRAWN -	REVISED -
PLOT DATE = 11/4/2022 - 9:33:21 AM	CHECKED -	REVISED -
	DATE -	REVISED -

**STATE OF ILLINOIS
DEPARTMENT OF TRANSPORTATION**

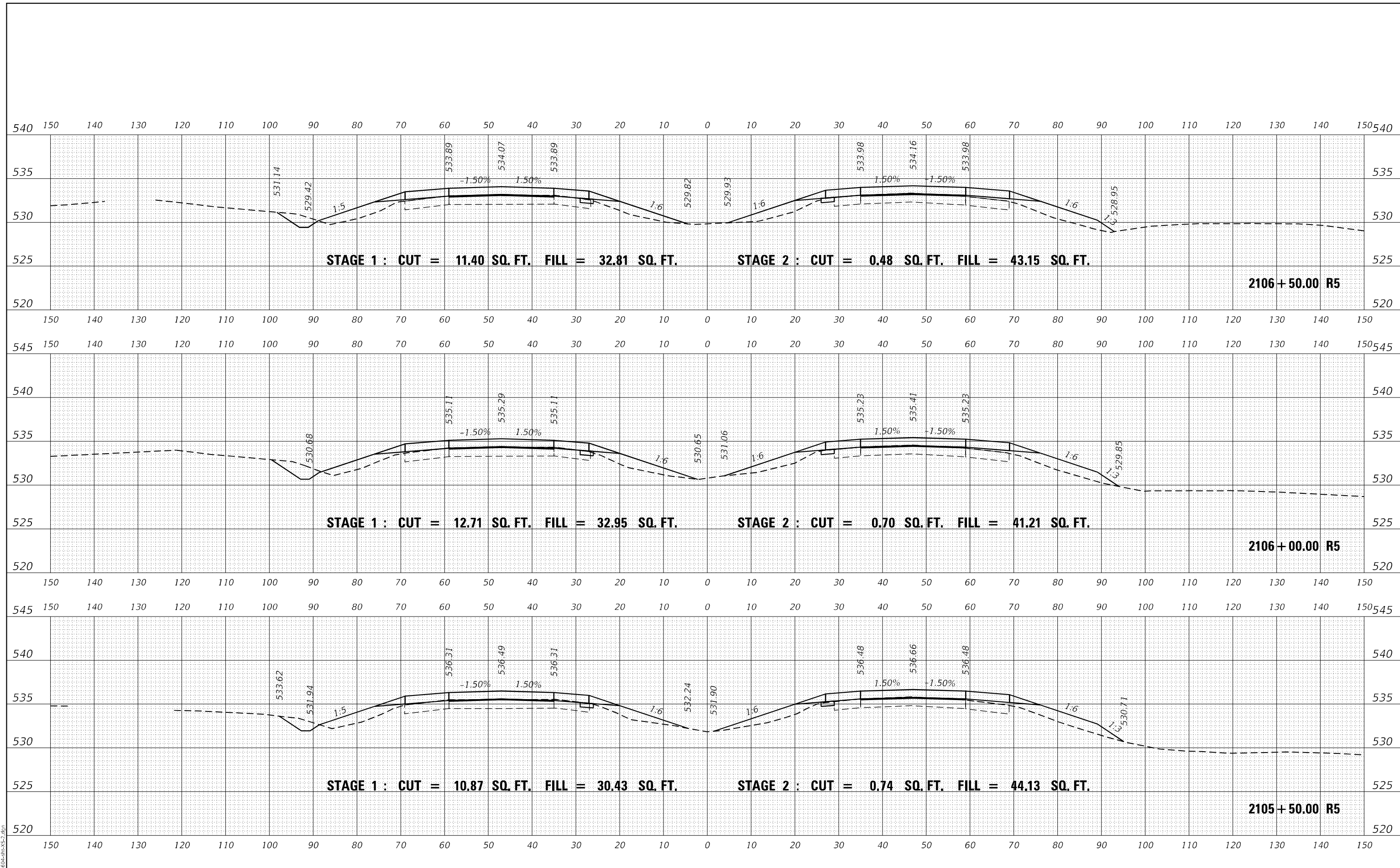
INTERSTATE 64 CROSS SECTIONS	
SCALE: 50	SHEET OF SHEETS
STA. 2104+00.00 R5 TO STA. 2105+00.00 R5	

F.A.I. RTE.	SECTION	COUNTY	TOTAL SHEETS	SHEET NO.
I-64	*	JEFFERSON	1052	722
CONTRACT NO. 78604				

(41-6,41-6-1,41-7)RS-2;BSMART 2023

DATE	
BY	
FINAL SURVEY	SURVEYED
NOTE BOOK	PLOTTED
NO.	AREAS CHECKED

DATE	
BY	
ORIGINAL SURVEY	SURVEYED
NOTE BOOK	PLOTTED
NO.	AREAS CHECKED



MODEL: D:\mfr\...
FILE NAME: ...

USER NAME = dhawes	DESIGNED -	REVISED -
	DRAWN -	REVISED -
PLOT SCALE = 20,0000' / in.	CHECKED -	REVISED -
PLOT DATE = 11/4/2022 - 9:33:22 AM	DATE -	REVISED -

**STATE OF ILLINOIS
DEPARTMENT OF TRANSPORTATION**

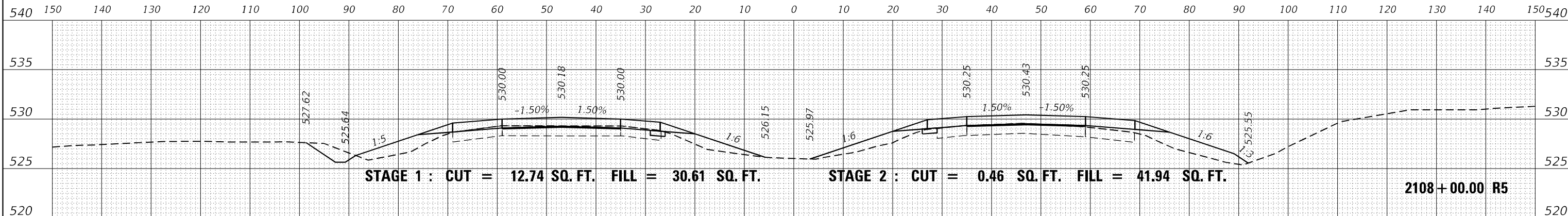
**INTERSTATE 64
CROSS SECTIONS**

SCALE: 50 SHEET OF SHEETS STA. 2105+50.00 R5 TO STA. 2106+50.00 R5

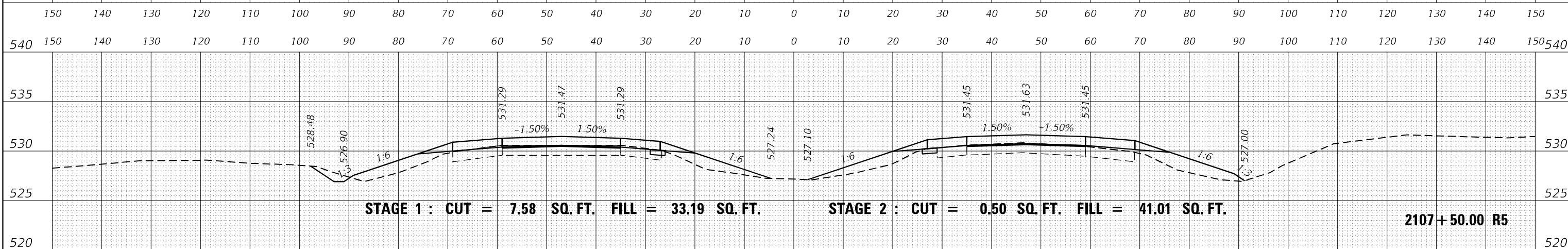
F.A.I. RTE.	SECTION	COUNTY	TOTAL SHEETS	SHEET NO.
I-64	*	JEFFERSON	1052	723
CONTRACT NO. 78604				

(41-6,41-6-1,41-7)RS-2;BSMART 2023

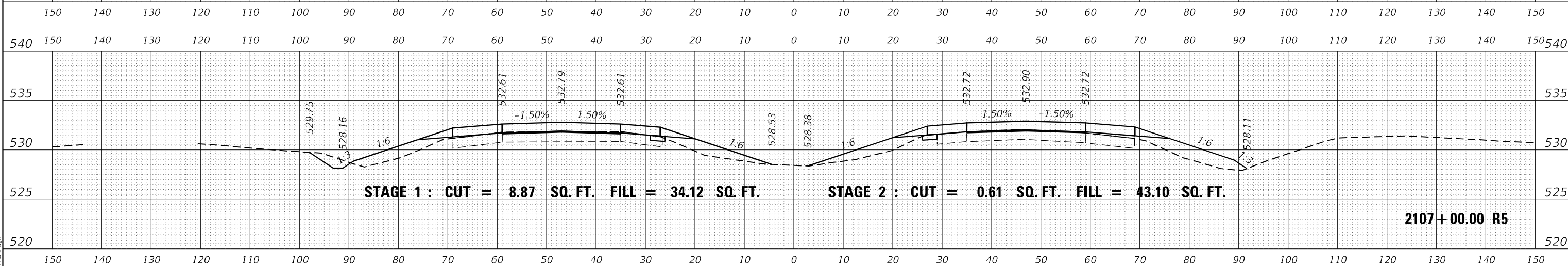
BY	DATE
FINAL SURVEY	SURVEYED
NOTE BOOK	PLOTTED
NO.	TEMPLATE
	AREAS
	CHECKED



BY	DATE
ORIGINAL SURVEY	SURVEYED
NOTE BOOK	PLOTTED
NO.	TEMPLATE
	AREAS
	CHECKED



BY	DATE
ORIGINAL SURVEY	SURVEYED
NOTE BOOK	PLOTTED
NO.	TEMPLATE
	AREAS
	CHECKED



MODEL: D:\mfr\h
FILE NAME: ...02978604-R5-S-2.dgn

USER NAME = dhawes	DESIGNED -	REVISED -
PLOT SCALE = 20,000 * / in.	DRAWN -	REVISED -
PLOT DATE = 11/4/2022 - 9:33:22 AM	CHECKED -	REVISED -
	DATE -	REVISED -

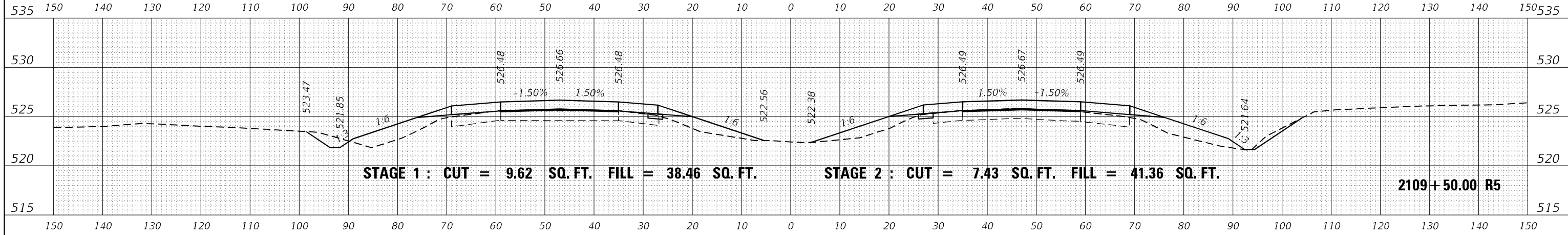
**STATE OF ILLINOIS
DEPARTMENT OF TRANSPORTATION**

**INTERSTATE 64
CROSS SECTIONS**

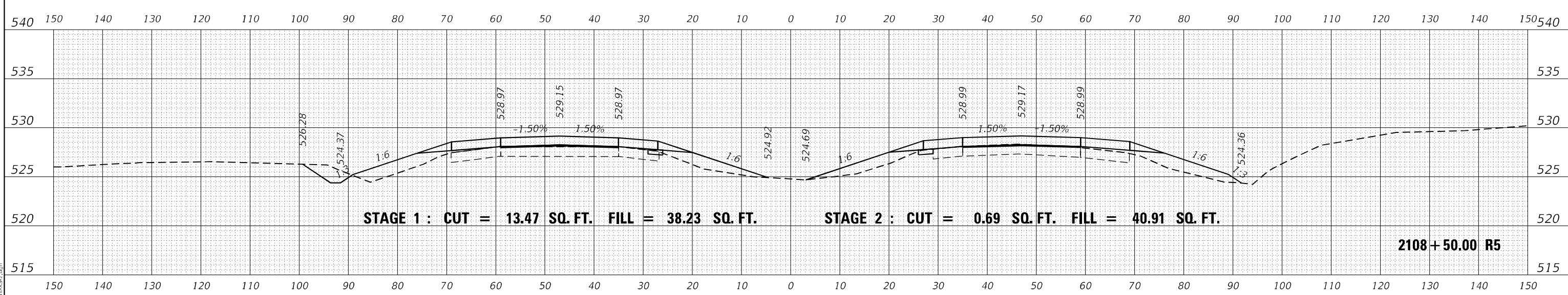
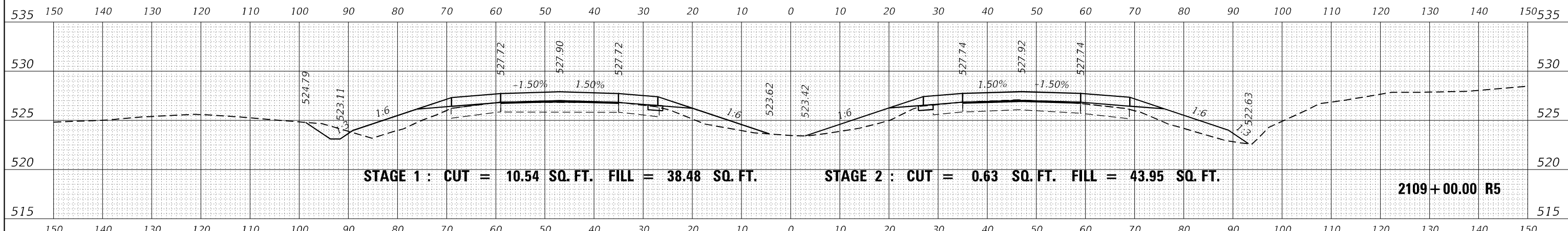
SCALE: 50 SHEET OF SHEETS STA. 2107+00.00 R5 TO STA. 2108+00.00 R5

F.A.I. RTE.	SECTION	COUNTY	TOTAL SHEETS	SHEET NO.
I-64	*	JEFFERSON	1052	724
CONTRACT NO. 78604				

DATE	
BY	
FINAL SURVEY	SURVEYED
NOTE BOOK	PLOTTED
NO.	TEMPLATE
	AREAS CHECKED



DATE	
BY	
ORIGINAL SURVEY	SURVEYED
NOTE BOOK	PLOTTED
NO.	TEMPLATE
	AREAS CHECKED



MODEL: D:\mfr\...
FILE NAME: ...029\8604-R5-S5-2.dgn

USER NAME = dhawes	DESIGNED -	REVISED -
PLOT SCALE = 20,0000 * / in.	DRAWN -	REVISED -
PLOT DATE = 11/4/2022 - 9:33:23 AM	CHECKED -	REVISED -
	DATE -	REVISED -

**STATE OF ILLINOIS
DEPARTMENT OF TRANSPORTATION**

**INTERSTATE 64
CROSS SECTIONS**

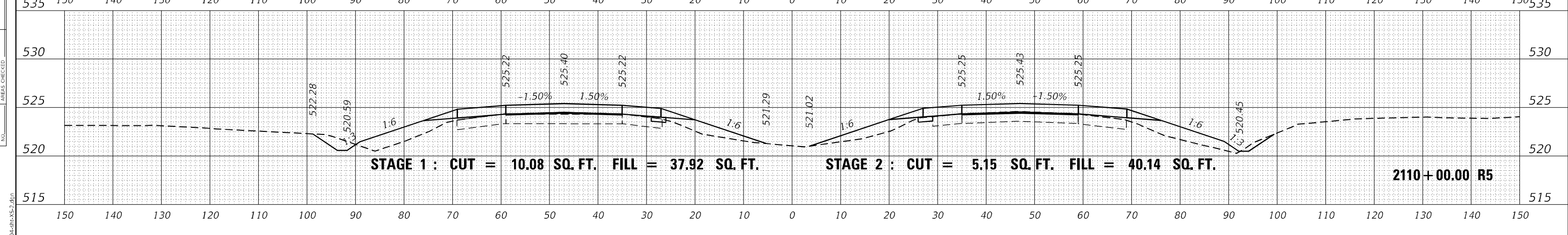
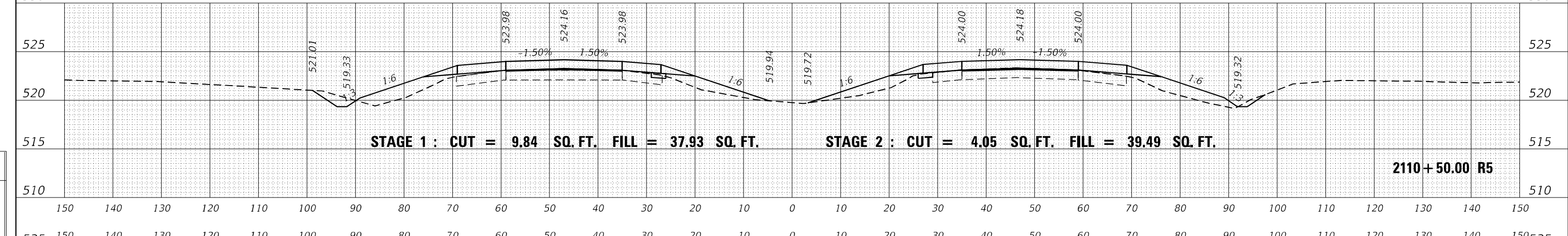
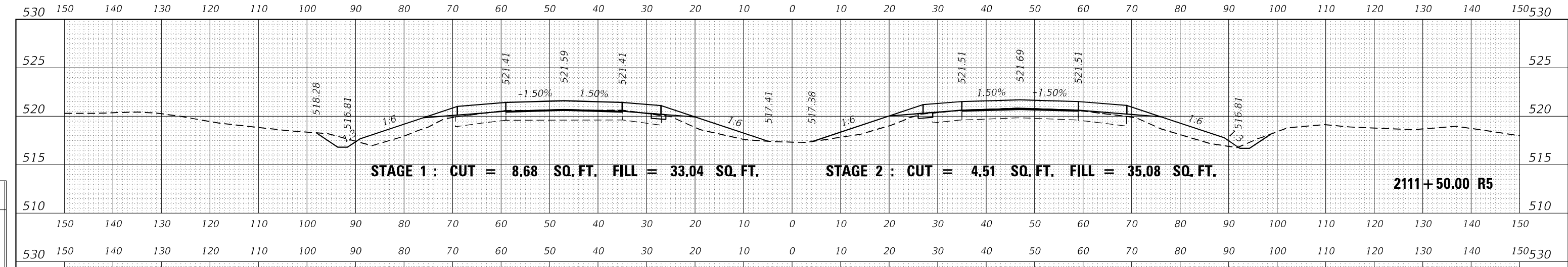
SCALE: 50 SHEET OF SHEETS STA. 2108+50.00 R5 TO STA. 2109+50.00 R5

F.A.I. RTE.	SECTION	COUNTY	TOTAL SHEETS	SHEET NO.
I-64	*	JEFFERSON	1052	725
CONTRACT NO. 78604				

ILLINOIS FED. AID PROJECT * (41-6,41-6-1,41-7)RS-2;BSMART 2023

FINAL SURVEY NO.	SURVEYED	DATE
NOTE BOOK	PLOTTED	
AREAS CHECKED	TEMPLATE	
	AREAS	

ORIGINAL SURVEY NO.	SURVEYED	DATE
NOTE BOOK	PLOTTED	
AREAS CHECKED	TEMPLATE	
	AREAS	

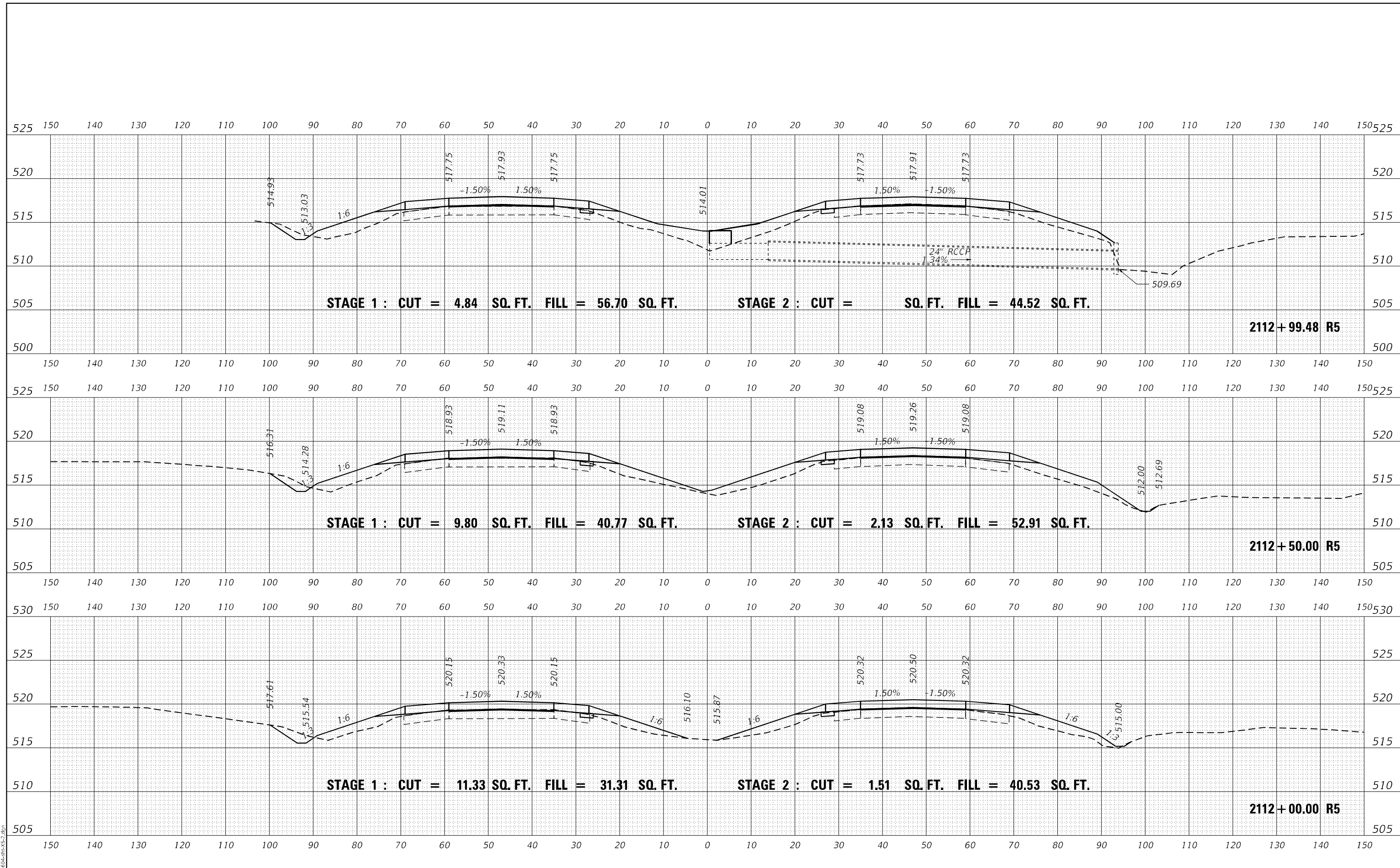


MODEL: D:\mfr\h	USER NAME = dhawes	DESIGNED -	REVISED -	STATE OF ILLINOIS DEPARTMENT OF TRANSPORTATION	INTERSTATE 64 CROSS SECTIONS			F.A.I. RTE.	SECTION	COUNTY	TOTAL SHEETS	SHEET NO.
FILE NAME: ...02978604-R5-VS-2.dgn	PLOT SCALE = 20,0000 * / in.	DRAWN -	REVISED -					I-64	*	JEFFERSON	1052	726
	PLOT DATE = 11/4/2022 - 9:33:23 AM	CHECKED -	REVISED -					CONTRACT NO. 78604				
		DATE -	REVISED -					SCALE: 50	SHEET	OF	SHEETS	STA. 2110+00.00 R5 TO STA. 2111+50.00 R5

(41-6,41-6-1,41-7)RS-2;BSMART 2023

DATE	
BY	
FINAL SURVEY	SURVEYED
NOTE BOOK	PLOTTED
NO.	AREAS CHECKED

DATE	
BY	
ORIGINAL SURVEY	SURVEYED
NOTE BOOK	PLOTTED
NO.	AREAS CHECKED



MODEL: D:\mfr\...
FILE NAME: ...029\8604-R5-XS-2.dgn

USER NAME = dhawes	DESIGNED -	REVISED -
	DRAWN -	REVISED -
PLOT SCALE = 20,0000 * / in.	CHECKED -	REVISED -
PLOT DATE = 11/4/2022 - 9:33:29 AM	DATE -	REVISED -

**STATE OF ILLINOIS
DEPARTMENT OF TRANSPORTATION**

**INTERSTATE 64
CROSS SECTIONS**

SCALE: 50 SHEET OF SHEETS STA. 2112+00.00 R5 TO STA. 2112+99.48 R5

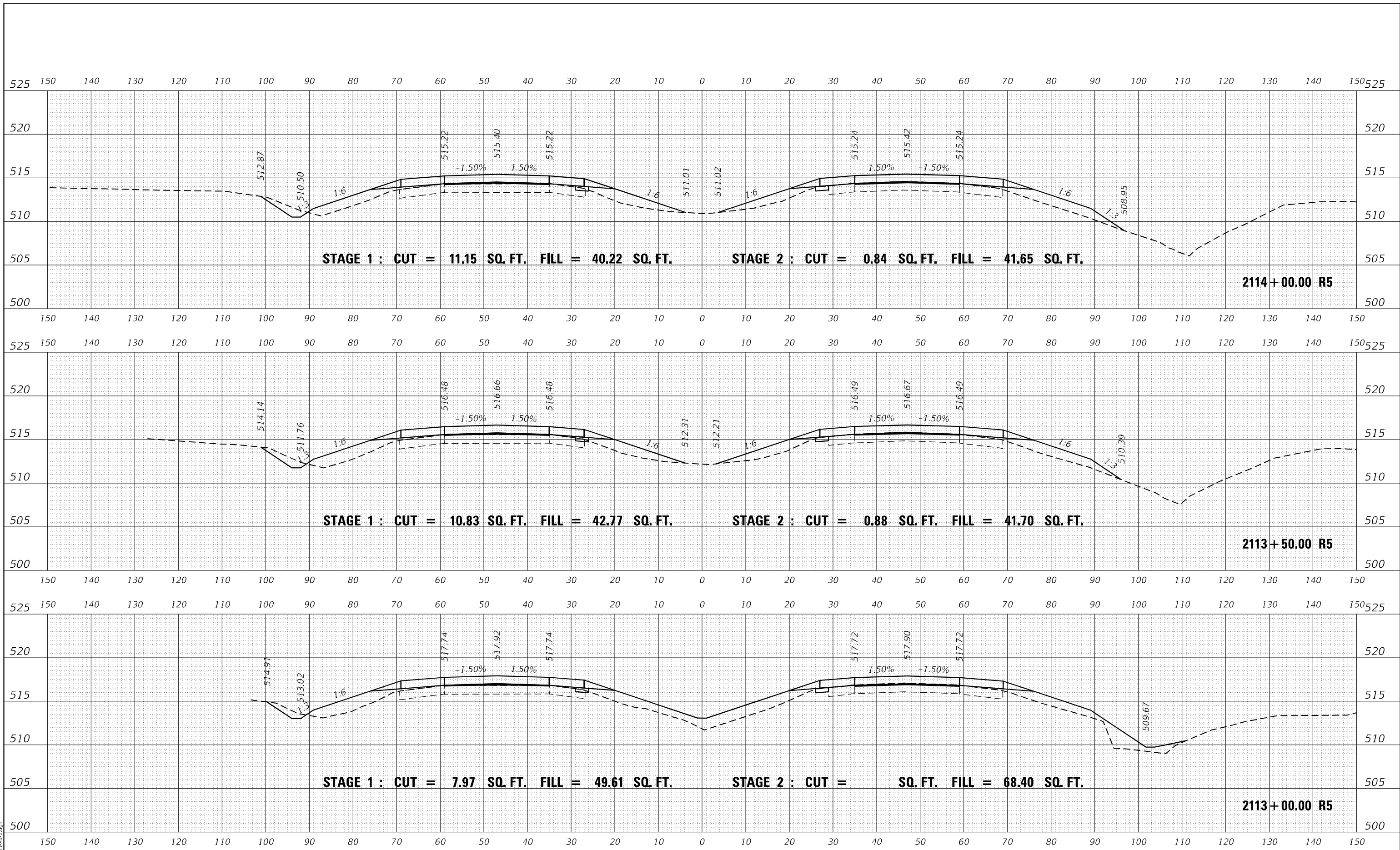
F.A.I. RTE.	SECTION	COUNTY	TOTAL SHEETS	SHEET NO.
I-64	*	JEFFERSON	1052	727
			CONTRACT NO. 78604	

* (41-6,41-6-1,41-7)RS-2;BSMART 2023

DATE	
BY	
SURVEYED	
PLOTTED	
TEMPLATE	
NOTE BOOK	
AREAS CHECKED	

DATE	
BY	
SURVEYED	
PLOTTED	
TEMPLATE	
NOTE BOOK	
AREAS CHECKED	

MODEL: D:\mfr\it
FILE NAME: ...029\8604-RS-R5-2.dgn



USER NAME = dhawes	DESIGNED -	REVISED -
PLOT SCALE = 20,0000' / in.	DRAWN -	REVISED -
PLOT DATE = 11/4/2022 - 9:33:30 AM	CHECKED -	REVISED -
	DATE -	REVISED -

**STATE OF ILLINOIS
DEPARTMENT OF TRANSPORTATION**

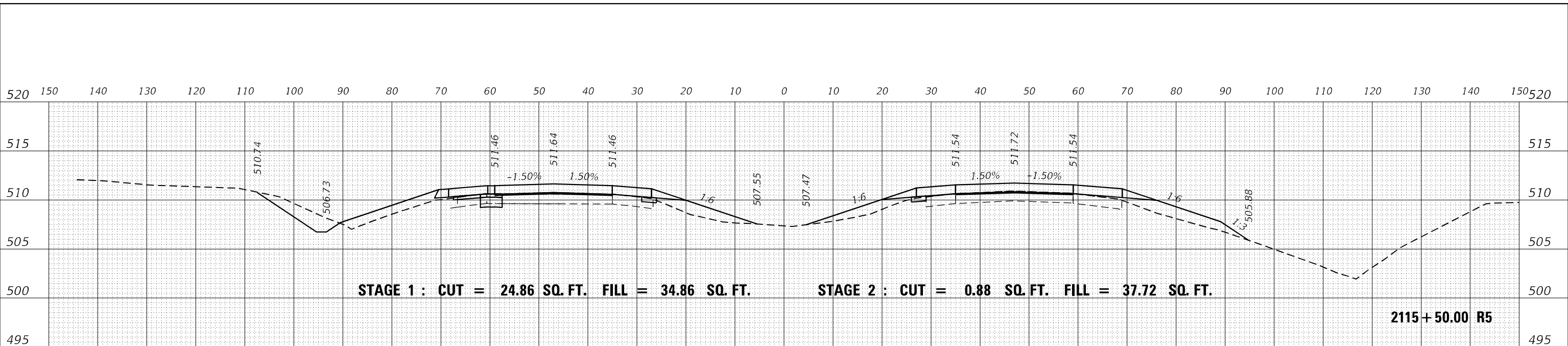
**INTERSTATE 64
CROSS SECTIONS**

SCALE: 50 SHEET OF SHEETS STA. 2113+00.00 R5 TO STA. 2114+00.00 R5

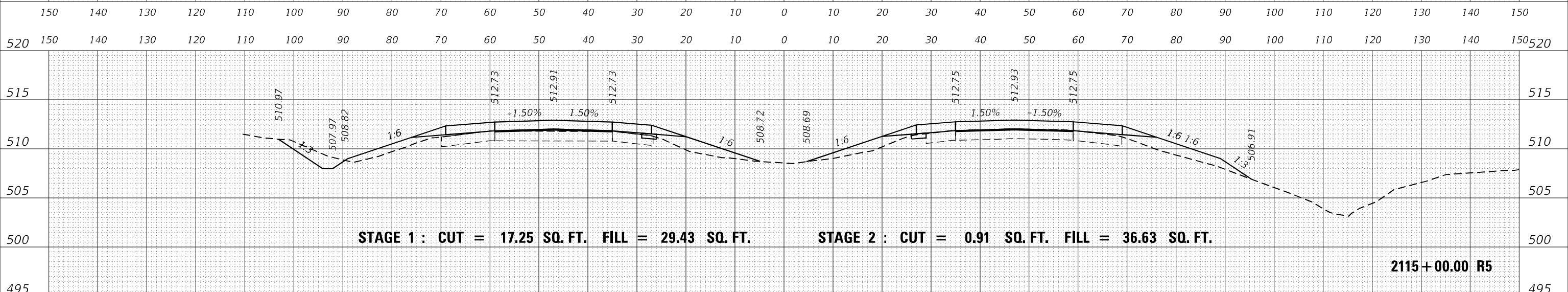
F.A.I. RTE.	SECTION	COUNTY	TOTAL SHEETS	SHEET NO.
I-64	*	JEFFERSON	1052	728
			CONTRACT NO. 78604	

(41-6,41-6-1,41-7)RS-2;BSMART 2023

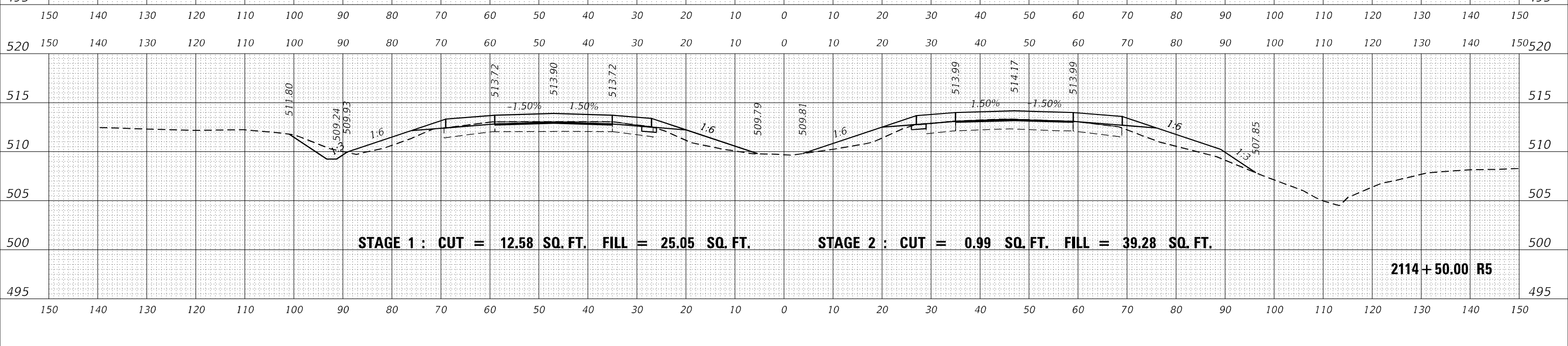
DATE	
BY	
FINAL SURVEY	SURVEYED
NOTE BOOK	PLOTTED
NO.	TEMPLATE
	AREAS
	CHECKED



DATE	
BY	
ORIGINAL SURVEY	SURVEYED
NOTE BOOK	PLOTTED
NO.	TEMPLATE
	AREAS
	CHECKED



DATE	
BY	
ORIGINAL SURVEY	SURVEYED
NOTE BOOK	PLOTTED
NO.	TEMPLATE
	AREAS
	CHECKED



MODEL: D:\mfr\...
FILE NAME: ...02\F604-R5-R5-2.dgn

USER NAME = dhawes	DESIGNED -	REVISED -
PLOT SCALE = 20,0000' / in.	DRAWN -	REVISED -
PLOT DATE = 11/4/2022 - 9:33:30 AM	CHECKED -	REVISED -
	DATE -	REVISED -

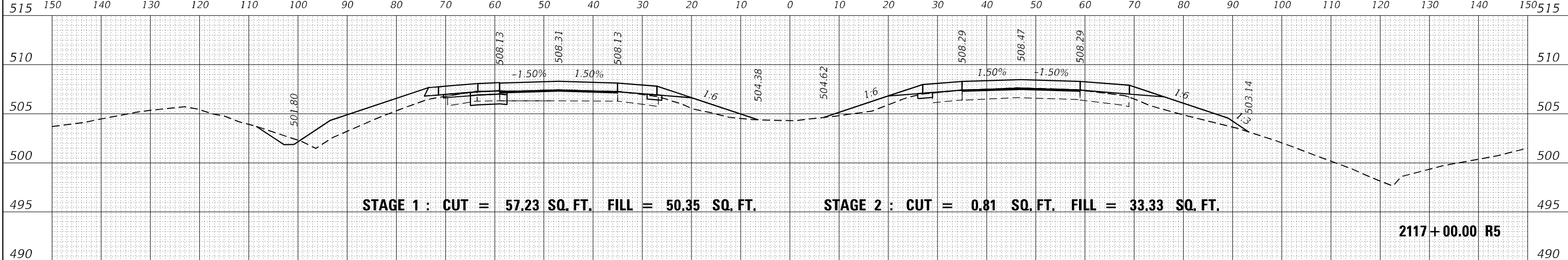
**STATE OF ILLINOIS
DEPARTMENT OF TRANSPORTATION**

**INTERSTATE 64
CROSS SECTIONS**

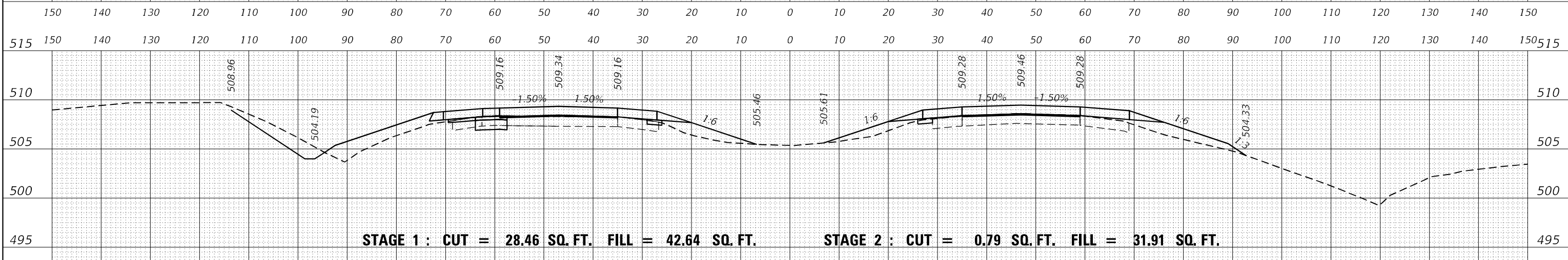
SCALE: 50 SHEET OF SHEETS STA. 2114+50.00 R5 TO STA. 2115+50.00 R5

F.A.I. RTE.	SECTION	COUNTY	TOTAL SHEETS	SHEET NO.
I-64	*	JEFFERSON	1052	729
CONTRACT NO. 78604				

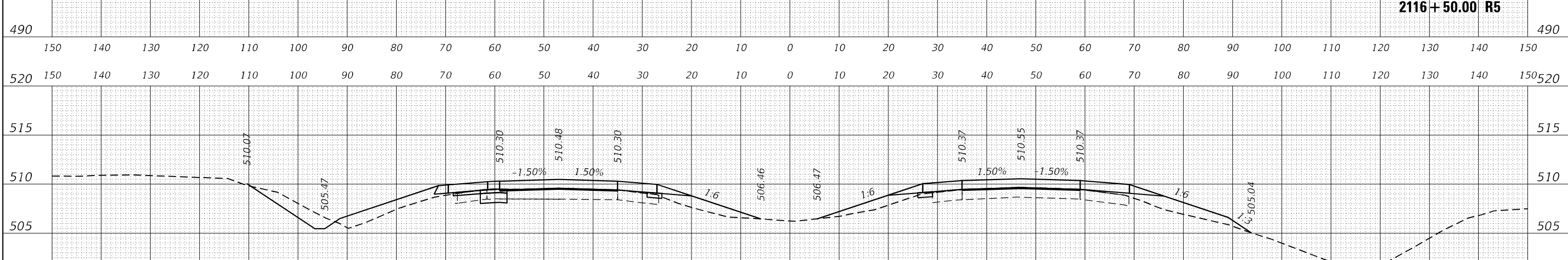
DATE	
BY	
FINAL SURVEY	SURVEYED
NOTE BOOK	PLOTTED
NO.	TEMPLATE
	AREAS
	CHECKED



DATE	
BY	
ORIGINAL SURVEY	SURVEYED
NOTE BOOK	PLOTTED
NO.	TEMPLATE
	AREAS
	CHECKED



DATE	
BY	
ORIGINAL SURVEY	SURVEYED
NOTE BOOK	PLOTTED
NO.	TEMPLATE
	AREAS
	CHECKED



MODEL: D:\mfr\it
FILE NAME: ...029\8604-R5-R5-2.dgn

USER NAME = dhawes	DESIGNED -	REVISED -
	DRAWN -	REVISED -
PLOT SCALE = 20,0000 * / in.	CHECKED -	REVISED -
PLOT DATE = 11/4/2022 - 9:33:30 AM	DATE -	REVISED -

**STATE OF ILLINOIS
DEPARTMENT OF TRANSPORTATION**

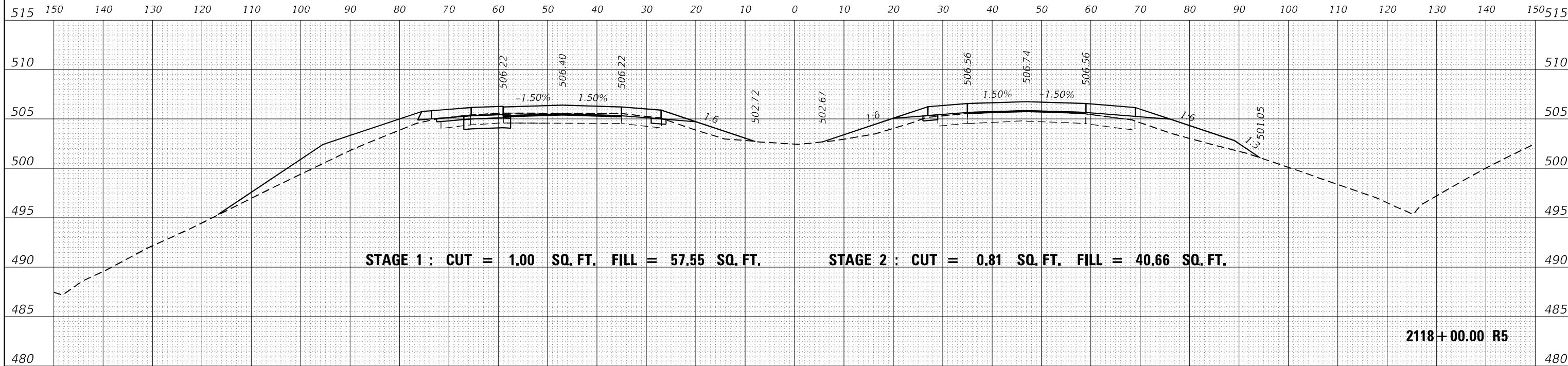
**INTERSTATE 64
CROSS SECTIONS**

SCALE: 50 SHEET OF SHEETS STA. 2116+00.00 R5 TO STA. 2117+00.00 R5

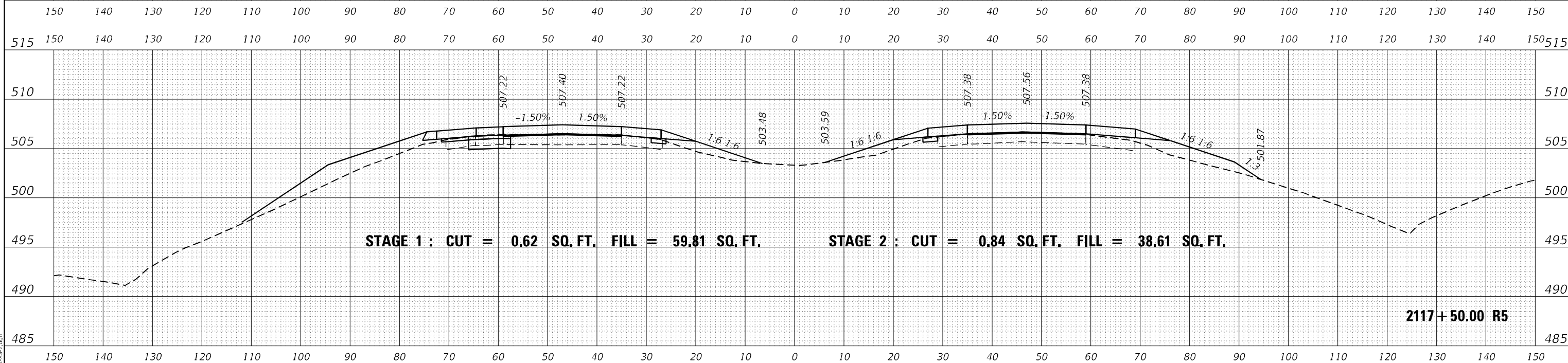
F.A.I. RTE.	SECTION	COUNTY	TOTAL SHEETS	SHEET NO.
I-64	*	JEFFERSON	1052	730
				CONTRACT NO. 78604

(41-6,41-6-1,41-7)RS-2;BSMART 2023

DATE	
BY	
FINAL SURVEY	SURVEYED
NOTE BOOK	PLOTTED
NO.	AREAS CHECKED



DATE	
BY	
ORIGINAL SURVEY	SURVEYED
NOTE BOOK	PLOTTED
NO.	AREAS CHECKED



MODEL: D:\mfr\...
FILE NAME: ...029\8604-R5-R5-2.dgn

USER NAME = dhawes	DESIGNED -	REVISED -
	DRAWN -	REVISED -
PLOT SCALE = 20,0000 * / in.	CHECKED -	REVISED -
PLOT DATE = 11/4/2022 - 9:33:30 AM	DATE -	REVISED -

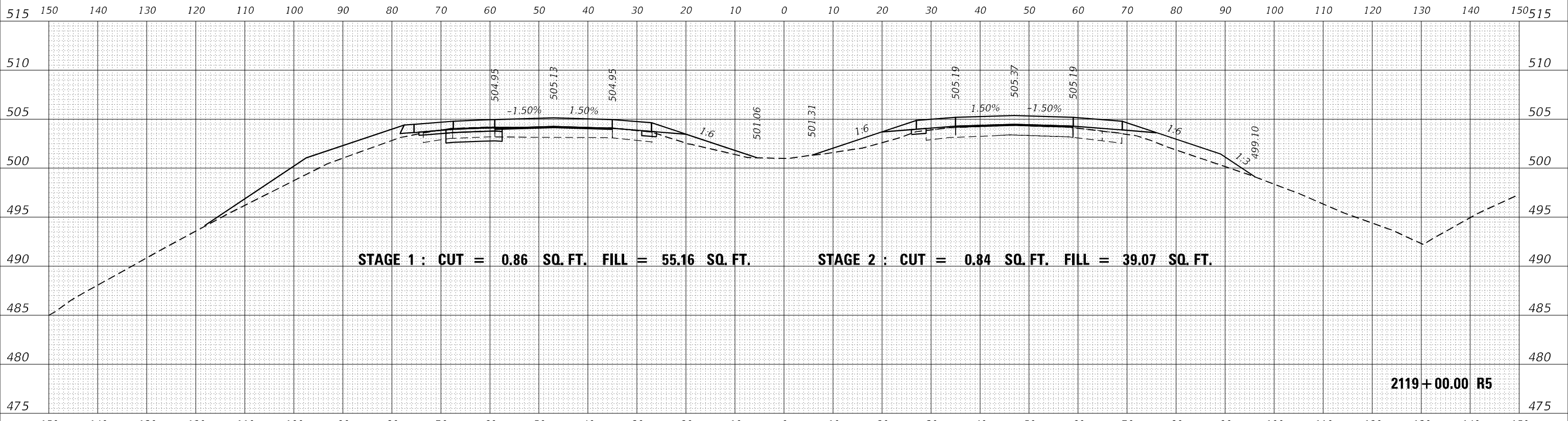
**STATE OF ILLINOIS
DEPARTMENT OF TRANSPORTATION**

**INTERSTATE 64
CROSS SECTIONS**

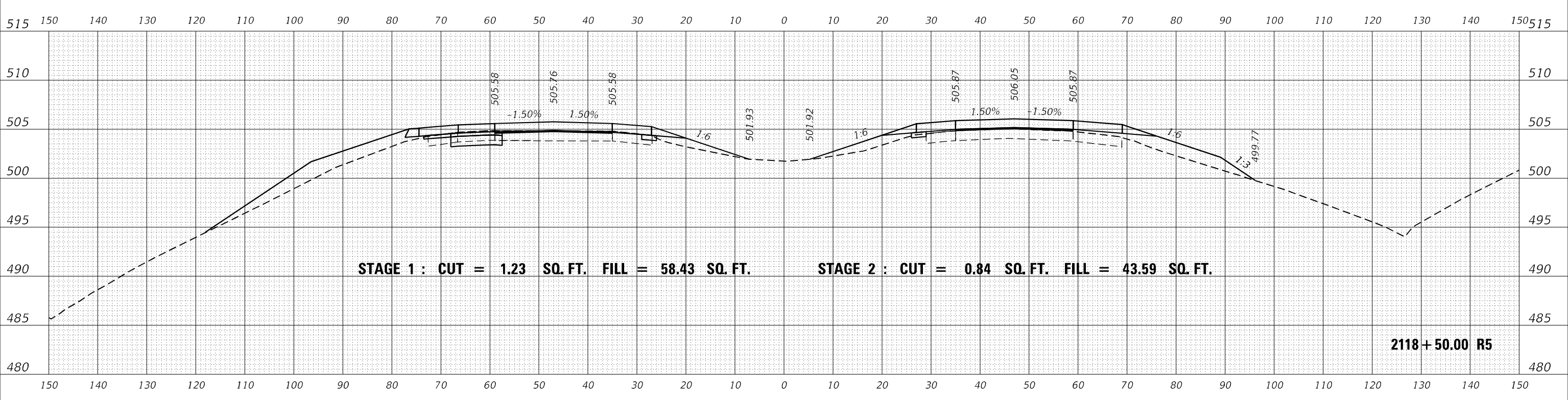
SCALE: 50 SHEET OF SHEETS STA. 2117+50.00 R5 TO STA. 2118+00.00 R5

F.A.I. RTE.	SECTION	COUNTY	TOTAL SHEETS	SHEET NO.
I-64	*	JEFFERSON	1052	731
CONTRACT NO. 78604				

DATE	
BY	
FINAL SURVEY	SURVEYED
NOTE BOOK	PLOTTED
NO.	AREAS CHECKED



DATE	
BY	
ORIGINAL SURVEY	SURVEYED
NOTE BOOK	PLOTTED
NO.	AREAS CHECKED



MODEL: D:\mfr\19...
FILE NAME: ...02\78604-R5-XS-2.dgn

USER NAME = dhawes	DESIGNED -	REVISED -
PLOT SCALE = 20,0000 * / in.	DRAWN -	REVISED -
PLOT DATE = 11/4/2022 - 9:33:31 AM	CHECKED -	REVISED -
	DATE -	REVISED -

**STATE OF ILLINOIS
DEPARTMENT OF TRANSPORTATION**

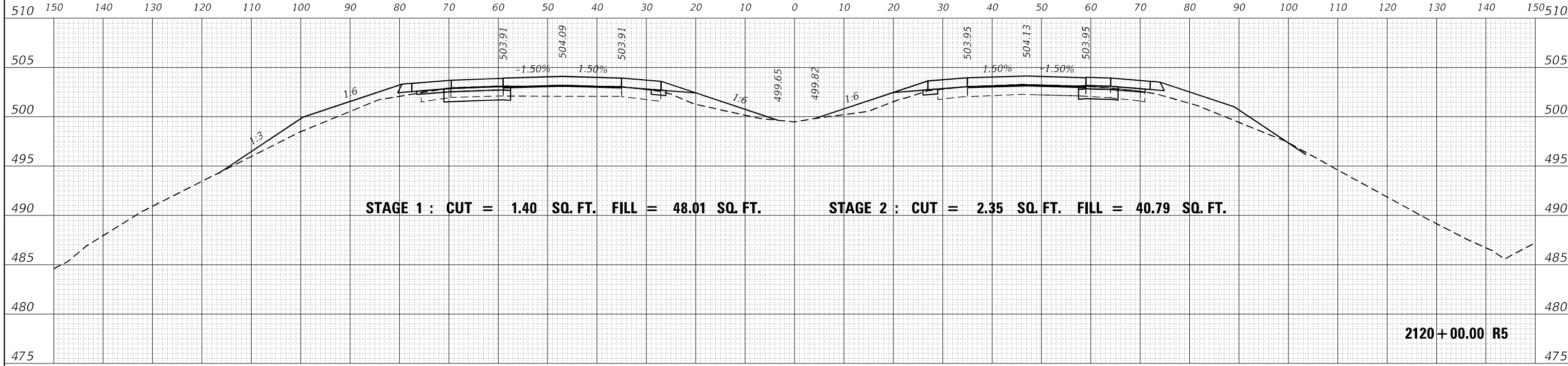
**INTERSTATE 64
CROSS SECTIONS**

SCALE: 50 SHEET OF SHEETS STA. 2118+50.00 R5 TO STA. 2119+00.00 R5

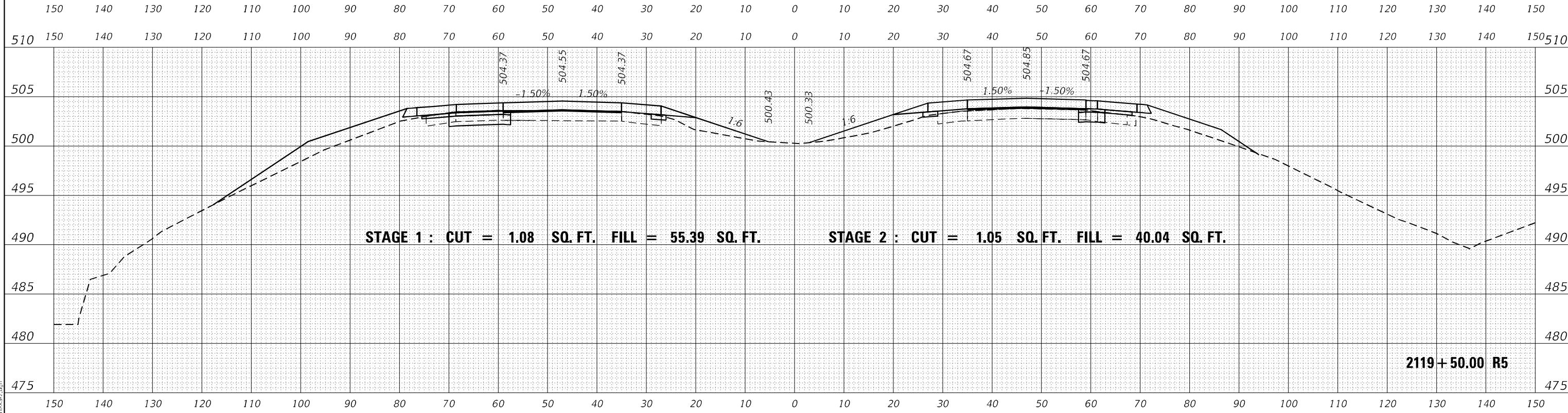
F.A.I. RTE.	SECTION	COUNTY	TOTAL SHEETS	SHEET NO.
I-64	*	JEFFERSON	1052	732
			CONTRACT NO. 78604	

* (41-6,41-6-1,41-7)RS-2;BSMART 2023

DATE	
BY	
FINAL SURVEY	SURVEYED
NOTE BOOK	PLOTTED
NO.	AREAS CHECKED



DATE	
BY	
ORIGINAL SURVEY	SURVEYED
NOTE BOOK	PLOTTED
NO.	AREAS CHECKED



MODEL: D:\mfr\...
FILE NAME: ...029\8604-R5-R5-2.dgn

USER NAME = dhawes	DESIGNED -	REVISED -
PLOT SCALE = 20,0000 * / in.	DRAWN -	REVISED -
PLOT DATE = 11/4/2022 - 9:33:31 AM	CHECKED -	REVISED -
	DATE -	REVISED -

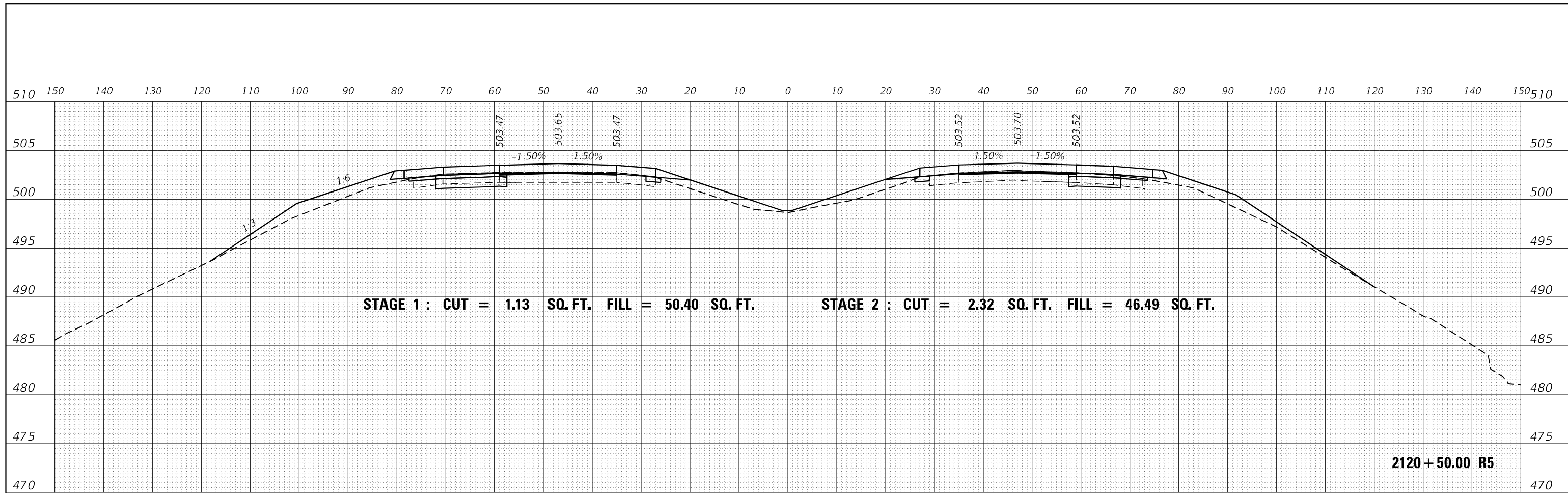
**STATE OF ILLINOIS
DEPARTMENT OF TRANSPORTATION**

**INTERSTATE 64
CROSS SECTIONS**

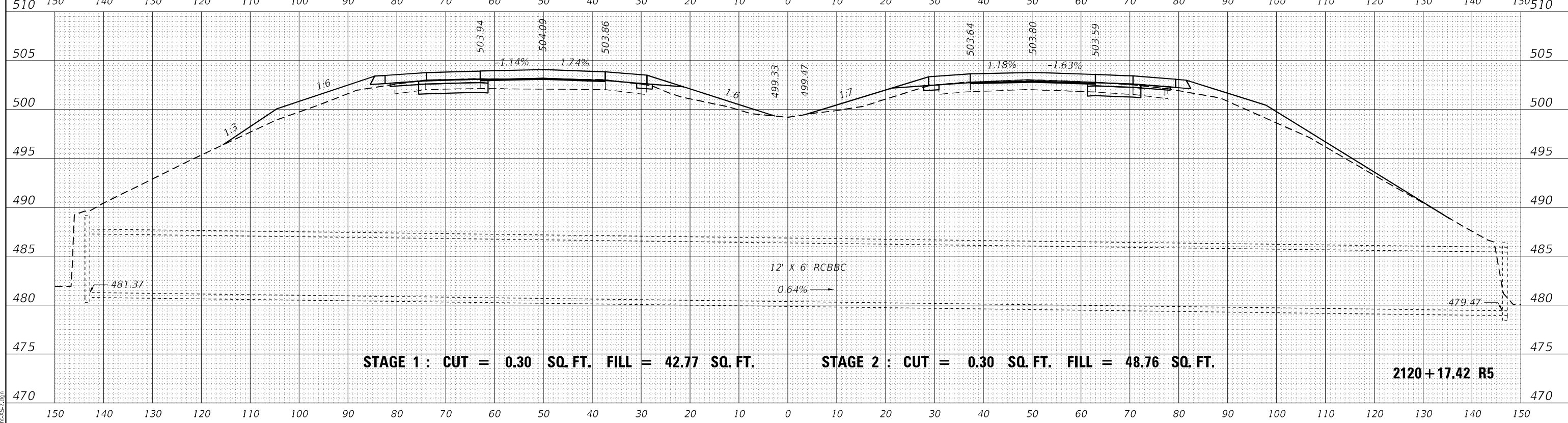
SCALE: 50 SHEET OF SHEETS STA. 2119+50.00 R5 TO STA. 2120+00.00 R5

F.A.I. RTE.	SECTION	COUNTY	TOTAL SHEETS	SHEET NO.
I-64	*	JEFFERSON	1052	733
			CONTRACT NO. 78604	

DATE	BY
FINAL SURVEY NO.	SURVEYED PLOTTED AREAS CHECKED
NOTE BOOK	TEMPLATE



DATE	BY
ORIGINAL SURVEY NO.	SURVEYED PLOTTED AREAS CHECKED
NOTE BOOK	TEMPLATE



MODEL: D:\mfrh\...
FILE NAME: ...

USER NAME = dhawes	DESIGNED -	REVISED -
	DRAWN -	REVISED -
PLOT SCALE = 20,000 * / in.	CHECKED -	REVISED -
PLOT DATE = 11/4/2022 - 9:33:31 AM	DATE -	REVISED -

**STATE OF ILLINOIS
DEPARTMENT OF TRANSPORTATION**

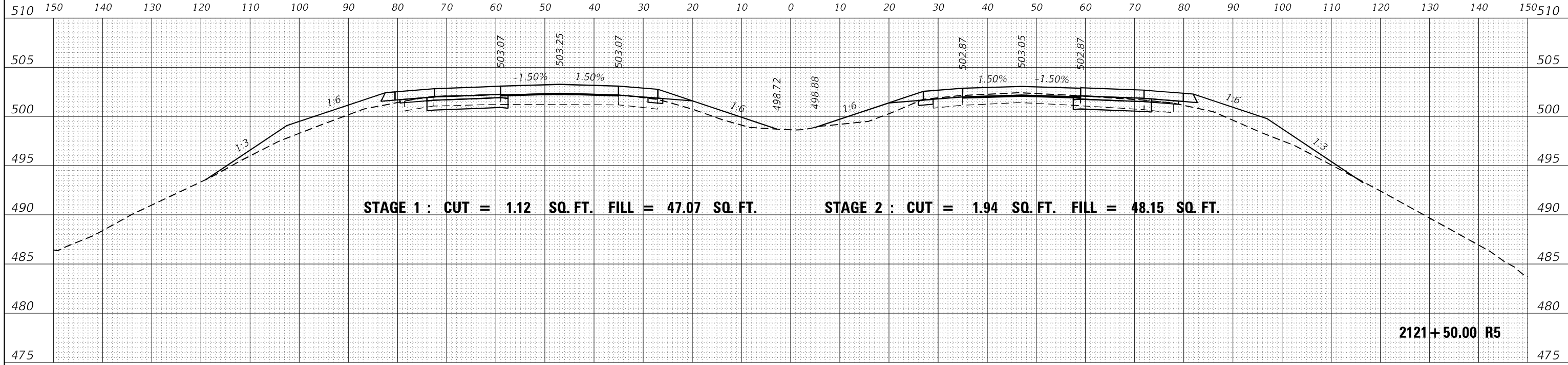
**INTERSTATE 64
CROSS SECTIONS**

SCALE: 50 SHEET OF SHEETS STA. 2120+17.42 R5 TO STA. 2120+50.00 R5

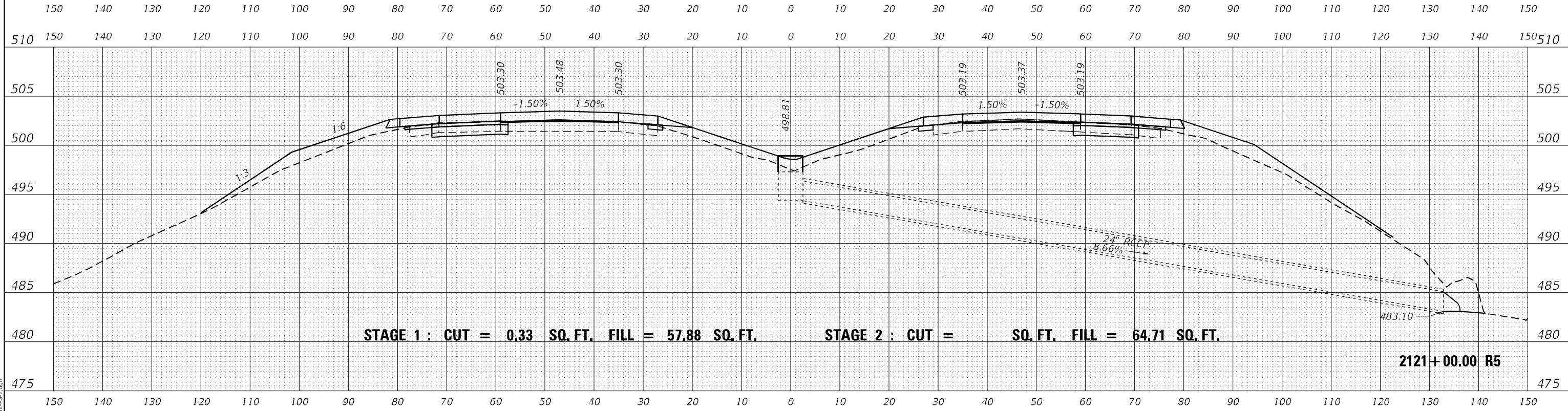
F.A.I. RTE. I-64	SECTION *	COUNTY JEFFERSON	TOTAL SHEETS 1052	SHEET NO. 734
			CONTRACT NO. 78604	

ILLINOIS FED. AID PROJECT

DATE	
BY	
FINAL SURVEY	SURVEYED
NOTE BOOK	PLOTTED
NO.	TEMPLATE
	AREAS CHECKED



DATE	
BY	
ORIGINAL SURVEY	SURVEYED
NOTE BOOK	PLOTTED
NO.	TEMPLATE
	AREAS CHECKED



MODEL: D:\mfr\h
FILE NAME: ...029\8604-R5-XS-2.dgn

USER NAME = dhawes	DESIGNED -	REVISED -
PLOT SCALE = 20,0000 * / in.	DRAWN -	REVISED -
PLOT DATE = 11/4/2022 - 9:33:31 AM	CHECKED -	REVISED -
	DATE -	REVISED -

**STATE OF ILLINOIS
DEPARTMENT OF TRANSPORTATION**

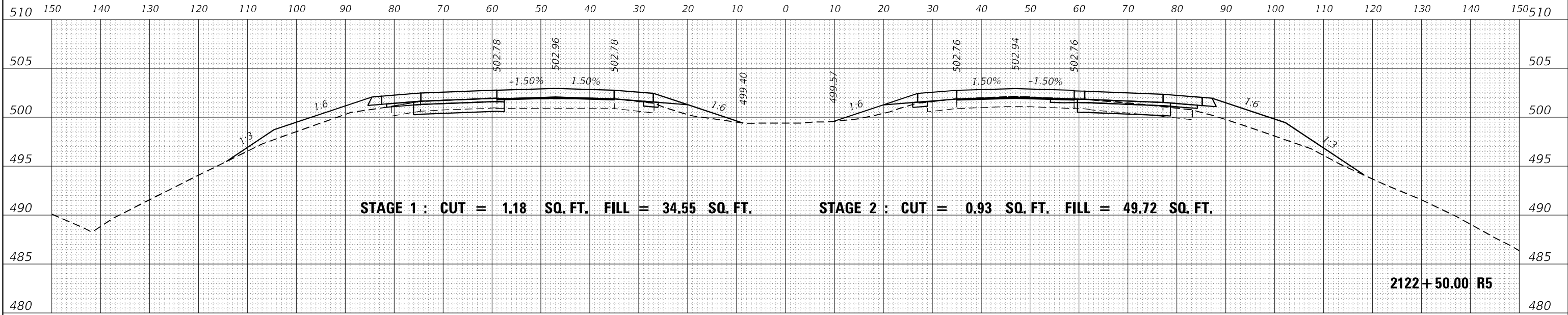
**INTERSTATE 64
CROSS SECTIONS**

SCALE: 50 SHEET OF SHEETS STA. 2121+00.00 R5 TO STA. 2121+50.00 R5

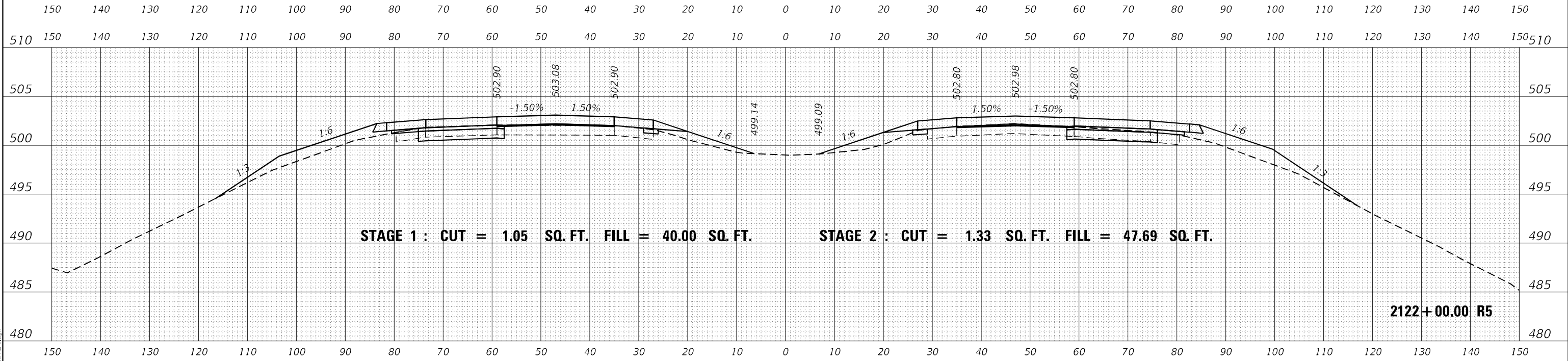
F.A.I. RTE.	SECTION	COUNTY	TOTAL SHEETS	SHEET NO.
I-64	*	JEFFERSON	1052	735
CONTRACT NO. 78604				

ILLINOIS FED. AID PROJECT

DATE	
BY	
SURVEYED	
PLOTTED	
TEMPLATE	
NOTE BOOK	
AREAS CHECKED	



DATE	
BY	
SURVEYED	
PLOTTED	
TEMPLATE	
NOTE BOOK	
AREAS CHECKED	



MODEL: D:\mfr\h
FILE NAME: ...02978604-R5-VS-2.dgn

USER NAME = dhawes	DESIGNED -	REVISED -
	DRAWN -	REVISED -
PLOT SCALE = 20,0000 * / in.	CHECKED -	REVISED -
PLOT DATE = 11/4/2022 - 9:33:32 AM	DATE -	REVISED -

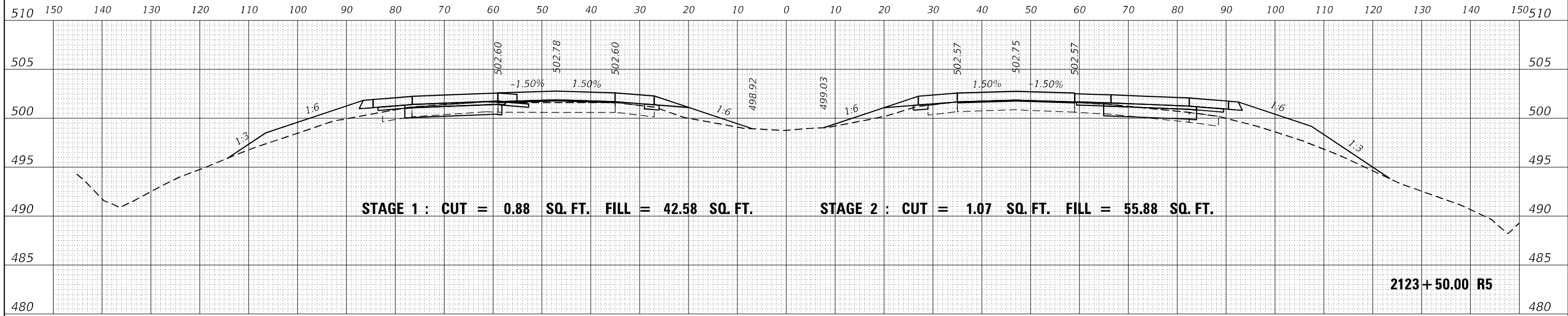
**STATE OF ILLINOIS
DEPARTMENT OF TRANSPORTATION**

**INTERSTATE 64
CROSS SECTIONS**

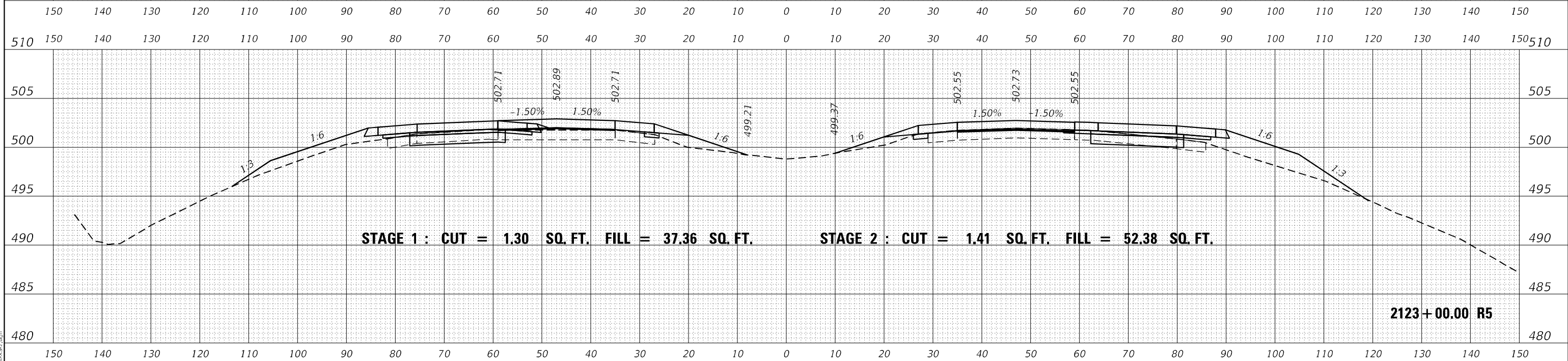
SCALE: 50 SHEET OF SHEETS STA. 2122+00.00 R5 TO STA. 2122+50.00 R5

F.A.I. RTE.	SECTION	COUNTY	TOTAL SHEETS	SHEET NO.
I-64	*	JEFFERSON	1052	736
CONTRACT NO. 78604				

DATE	
BY	
SURVEYED	
PLOTTED	
TEMPLATE	
NOTE BOOK	
AREAS CHECKED	
NO.	



DATE	
BY	
SURVEYED	
PLOTTED	
TEMPLATE	
NOTE BOOK	
AREAS CHECKED	
NO.	



MODEL: D:\mfr\...
FILE NAME: ...02\78604-R5-R5-2.dgn

USER NAME = dhawes	DESIGNED -	REVISED -
	DRAWN -	REVISED -
PLOT SCALE = 20,0000 * / in.	CHECKED -	REVISED -
PLOT DATE = 11/4/2022 - 9:33:32 AM	DATE -	REVISED -

**STATE OF ILLINOIS
DEPARTMENT OF TRANSPORTATION**

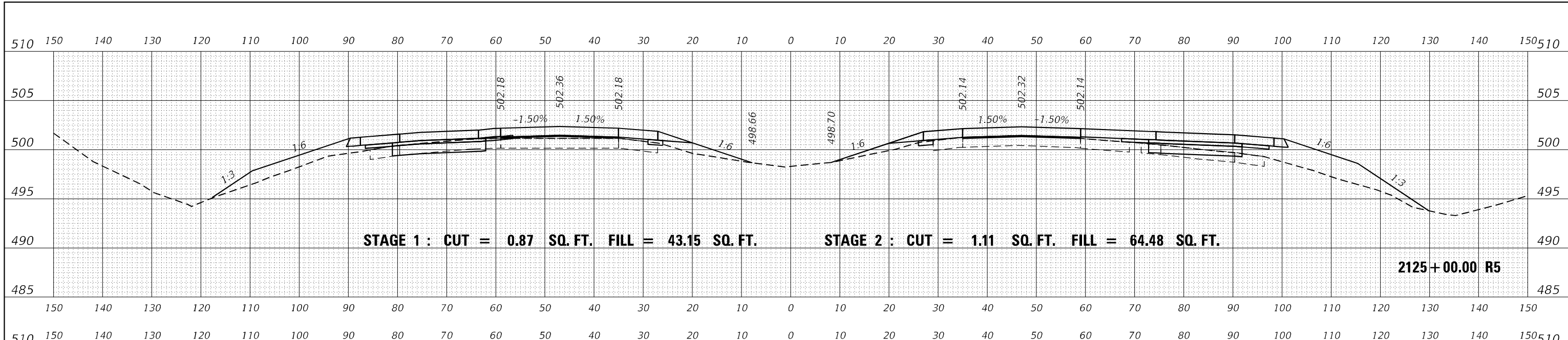
**INTERSTATE 64
CROSS SECTIONS**

SCALE: 50 SHEET OF SHEETS STA. 2123+00.00 R5 TO STA. 2123+50.00 R5

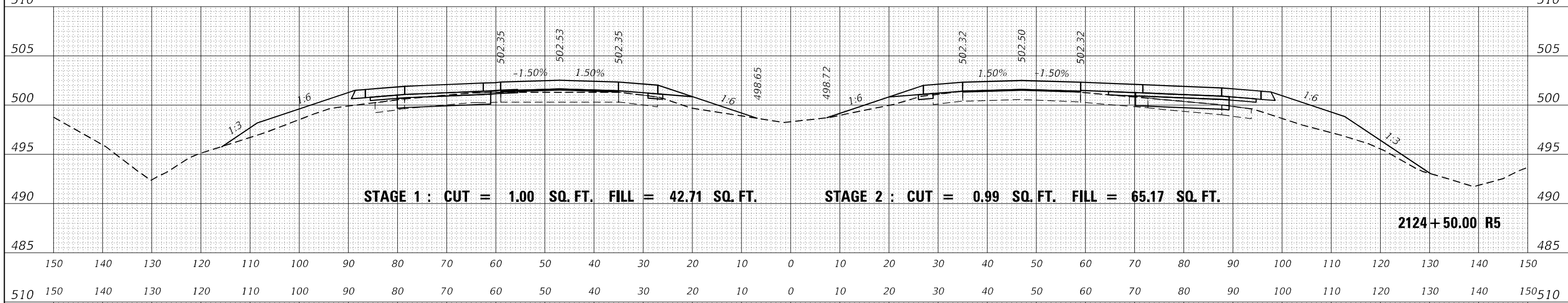
F.A.I. RTE.	SECTION	COUNTY	TOTAL SHEETS	SHEET NO.
I-64	*	JEFFERSON	1052	737
				CONTRACT NO. 78604

ILLINOIS FED. AID PROJECT

DATE	
BY	
FINAL SURVEY	SURVEYED
NOTE BOOK	PLOTTED
NO.	TEMPLATE
	AREAS
	CHECKED



DATE	
BY	
ORIGINAL SURVEY	SURVEYED
NOTE BOOK	PLOTTED
NO.	TEMPLATE
	AREAS
	CHECKED



MODEL: D:\mfr\h...
 FILE NAME: ...029\8604-R5-S-2.dgn

USER NAME = dhawes	DESIGNED -	REVISED -
PLOT SCALE = 20,0000 * / in.	DRAWN -	REVISED -
PLOT DATE = 11/4/2022 - 9:33:32 AM	CHECKED -	REVISED -
	DATE -	REVISED -

STATE OF ILLINOIS
DEPARTMENT OF TRANSPORTATION

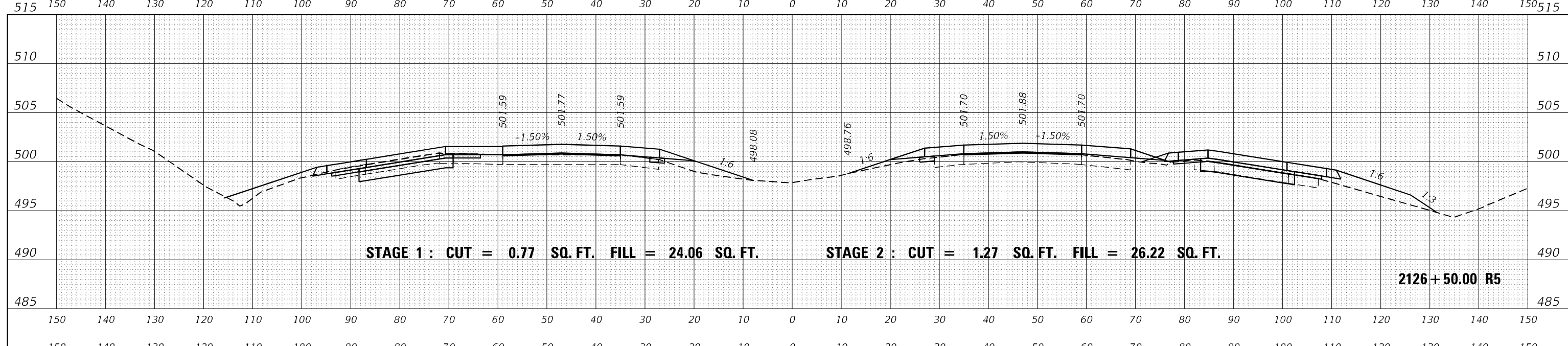
INTERSTATE 64
CROSS SECTIONS

SCALE: 50 SHEET OF SHEETS STA. 2124+00.00 R5 TO STA. 2125+00.00 R5

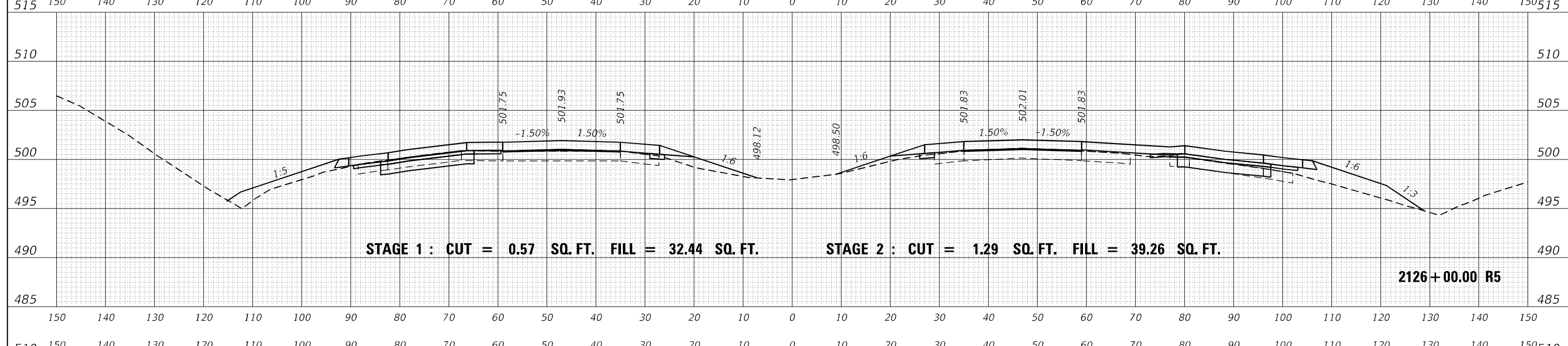
F.A.I. RTE.	SECTION	COUNTY	TOTAL SHEETS	SHEET NO.
I-64	*	JEFFERSON	1052	738
CONTRACT NO. 78604				

* (41-6,41-6-1,41-7)RS-2;BSMART 2023

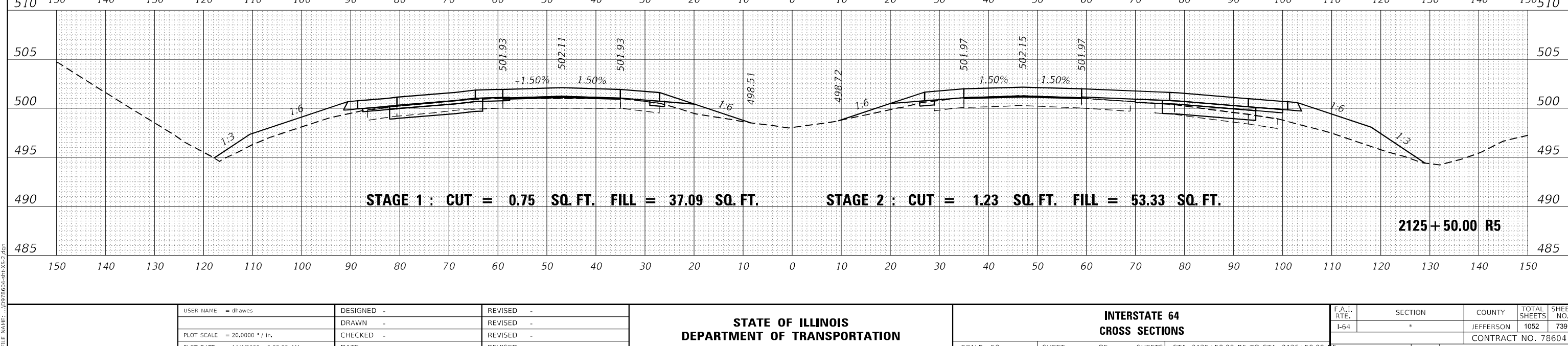
DATE	
BY	
FINAL SURVEY	SURVEYED
NOTE BOOK	PLOTTED
NO.	TEMPLATE
	AREAS
	CHECKED



DATE	
BY	
ORIGINAL SURVEY	SURVEYED
NOTE BOOK	PLOTTED
NO.	TEMPLATE
	AREAS
	CHECKED



DATE	
BY	
ORIGINAL SURVEY	SURVEYED
NOTE BOOK	PLOTTED
NO.	TEMPLATE
	AREAS
	CHECKED



USER NAME = dhawes	DESIGNED -	REVISED -
	DRAWN -	REVISED -
PLOT SCALE = 20,000' / in.	CHECKED -	REVISED -
PLOT DATE = 11/4/2022 - 9:33:32 AM	DATE -	REVISED -

**STATE OF ILLINOIS
DEPARTMENT OF TRANSPORTATION**

**INTERSTATE 64
CROSS SECTIONS**

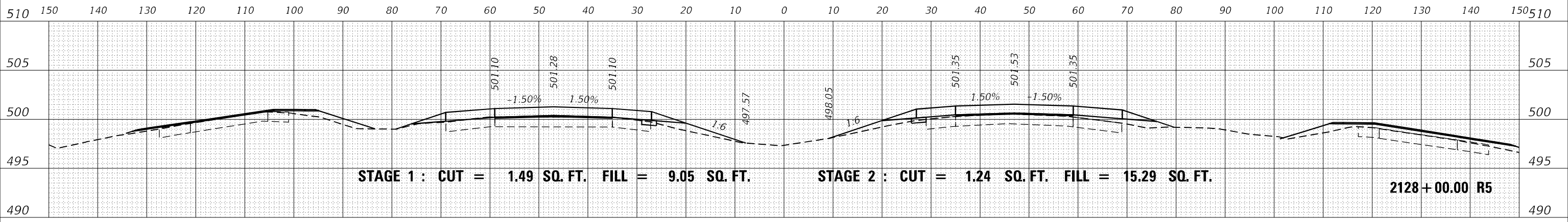
SCALE: 50 SHEET OF SHEETS STA. 2125+50.00 R5 TO STA. 2126+50.00 R5

F.A.I. RTE.	SECTION	COUNTY	TOTAL SHEETS	SHEET NO.
I-64	*	JEFFERSON	1052	739
CONTRACT NO. 78604				

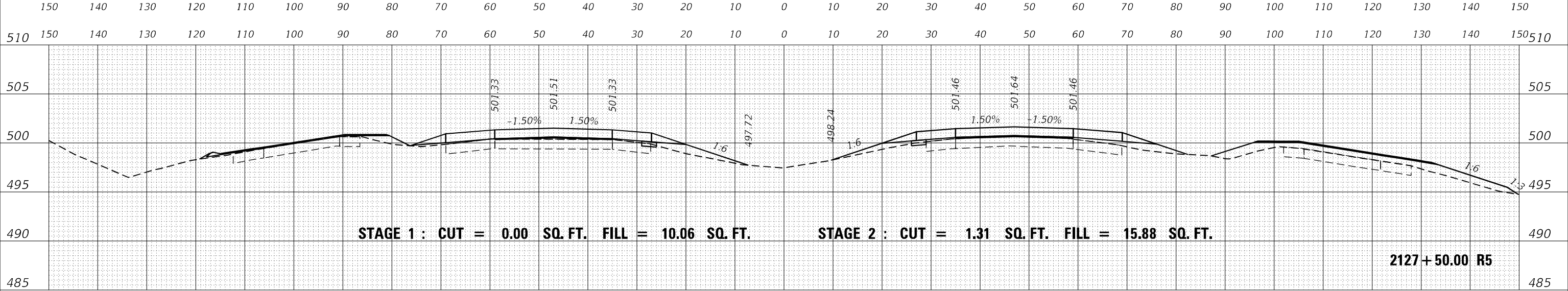
MODEL: D:\mfr\...
FILE NAME: ...029\8604-R5-S-2.dgn

* (41-6,41-6-1,41-7)RS-2;BSMART 2023

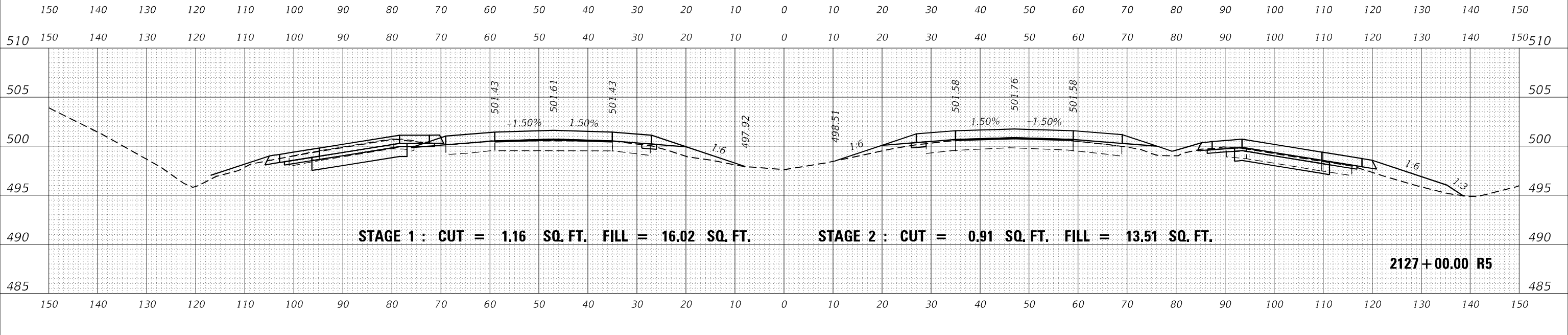
DATE	
BY	
FINAL SURVEY	SURVEYED
NOTE BOOK	PLOTTED
NO.	TEMPLATE
	AREAS
	CHECKED



DATE	
BY	
ORIGINAL SURVEY	SURVEYED
NOTE BOOK	PLOTTED
NO.	TEMPLATE
	AREAS
	CHECKED



DATE	
BY	
ORIGINAL SURVEY	SURVEYED
NOTE BOOK	PLOTTED
NO.	TEMPLATE
	AREAS
	CHECKED



MODEL: D:\mfr\...
FILE NAME: ...02\8604-R5-XS-2.dgn

USER NAME = dhawes	DESIGNED -	REVISED -
PLOT SCALE = 20,0000' / in.	DRAWN -	REVISED -
PLOT DATE = 11/4/2022 - 9:33:32 AM	CHECKED -	REVISED -
	DATE -	REVISED -

**STATE OF ILLINOIS
DEPARTMENT OF TRANSPORTATION**

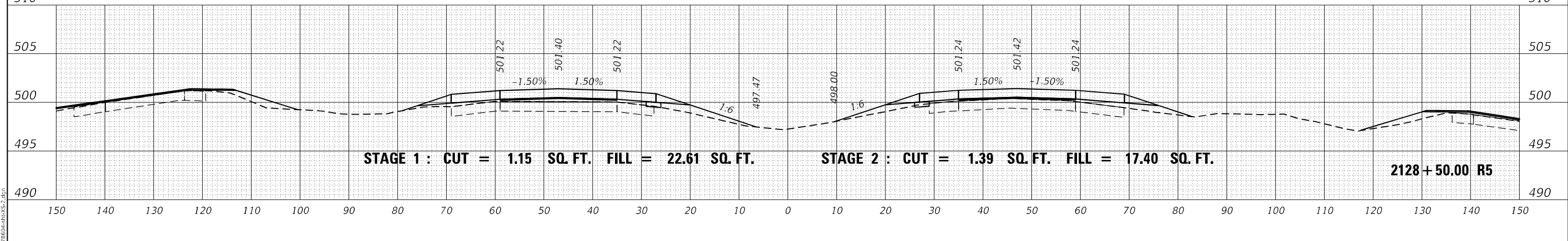
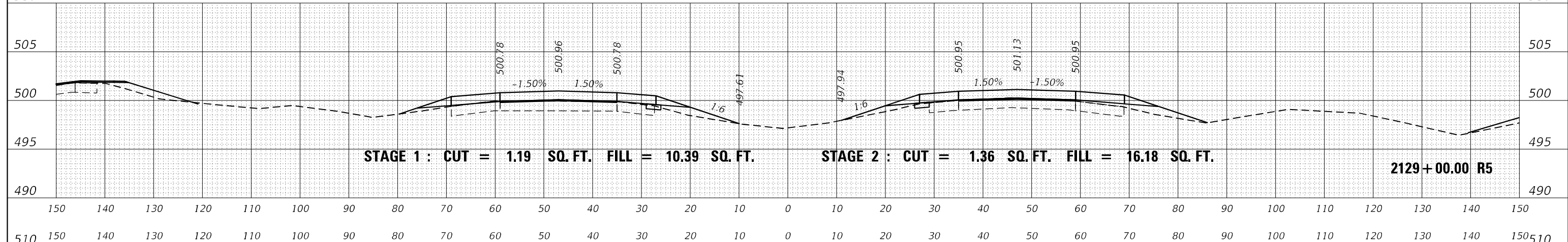
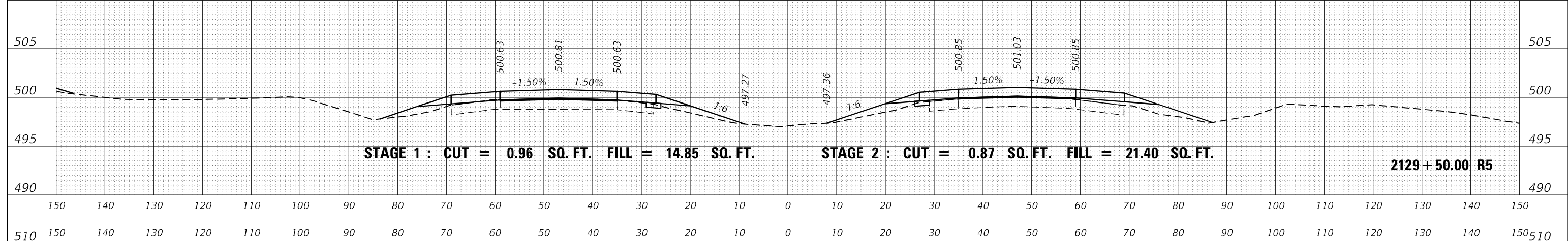
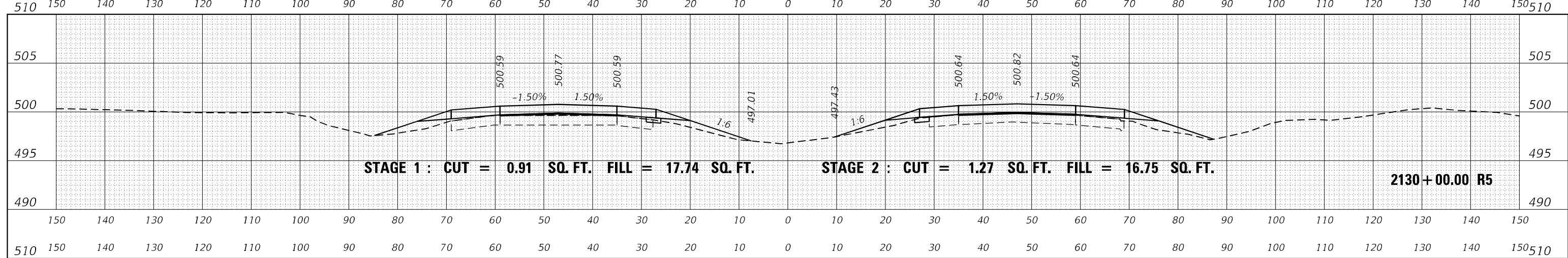
**INTERSTATE 64
CROSS SECTIONS**

SCALE: 50	SHEET	OF	SHEETS	STA. 2127+00.00 R5 TO STA. 2128+00.00 R5	F.A.I. RTE. I-64	SECTION *	COUNTY JEFFERSON	TOTAL SHEETS 1052	SHEET NO. 740
								CONTRACT NO. 78604	
								ILLINOIS FED. AID PROJECT	

* (41-6,41-6-1,41-7)RS-2;BSMART 2023

DATE	
BY	
FINAL SURVEY	SURVEYED
NOTE BOOK	PLOTTED
NO.	TEMPLATE
	AREAS CHECKED

DATE	
BY	
ORIGINAL SURVEY	SURVEYED
NOTE BOOK	PLOTTED
NO.	TEMPLATE
	AREAS CHECKED



MODEL: D:\mfr\h
FILE NAME: ...029\8604-R5-VS-2.dgn

USER NAME = dhawes	DESIGNED -	REVISED -
	DRAWN -	REVISED -
PLOT SCALE = 20,000 * / in.	CHECKED -	REVISED -
PLOT DATE = 11/4/2022 - 9:33:33 AM	DATE -	REVISED -

**STATE OF ILLINOIS
DEPARTMENT OF TRANSPORTATION**

**INTERSTATE 64
CROSS SECTIONS**

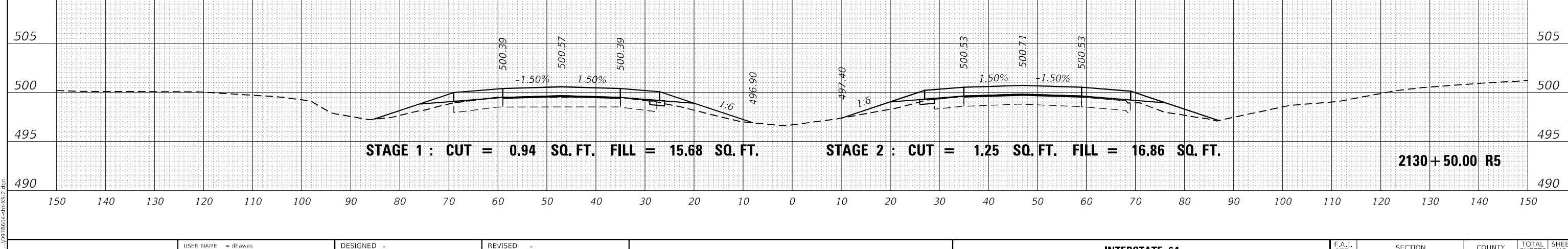
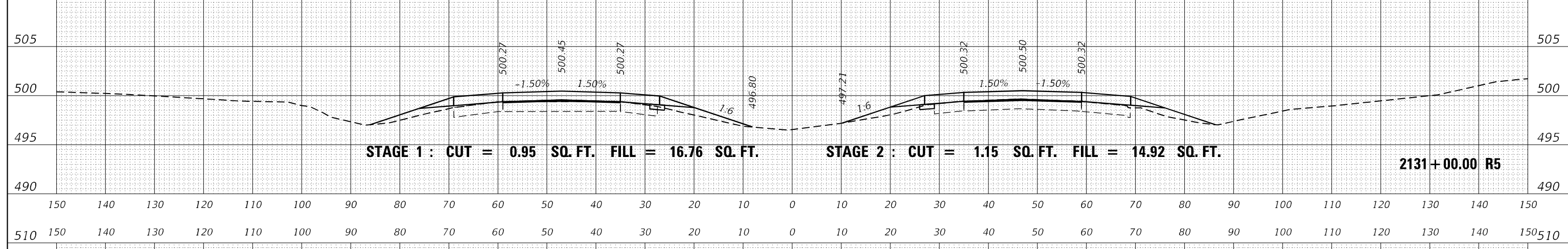
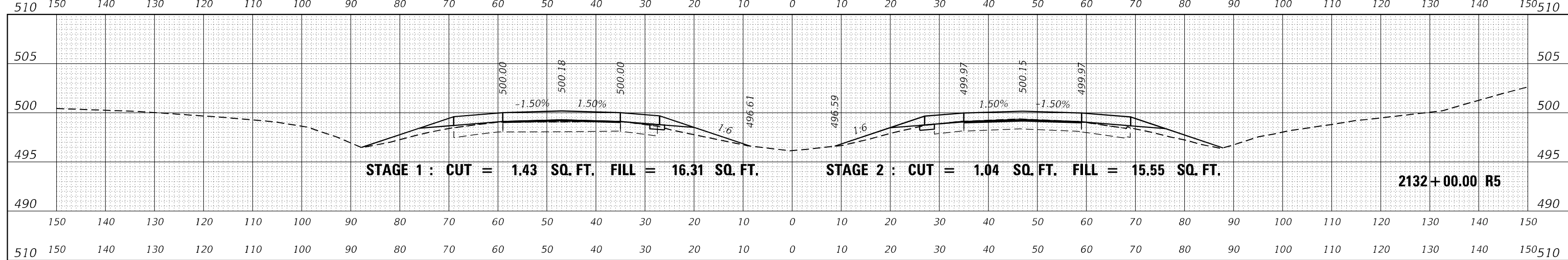
SCALE: 50 SHEET OF SHEETS STA. 2128+50.00 R5 TO STA. 2130+00.00 R5

F.A.I. RTE.	SECTION	COUNTY	TOTAL SHEETS	SHEET NO.
I-64	*	JEFFERSON	1052	741
			CONTRACT NO. 78604	
ILLINOIS FED. AID PROJECT				

(41-6,41-6-1,41-7)RS-2;BSMART 2023

DATE	
BY	
FINAL SURVEY	SURVEYED
NOTE BOOK	PLOTTED
NO.	TEMPLATE
	AREAS
	CHECKED

DATE	
BY	
ORIGINAL SURVEY	SURVEYED
NOTE BOOK	PLOTTED
NO.	TEMPLATE
	AREAS
	CHECKED



USER NAME = dhawes	DESIGNED -	REVISED -
PLOT SCALE = 20,0000' / in.	DRAWN -	REVISED -
PLOT DATE = 11/4/2022 - 9:33:33 AM	CHECKED -	REVISED -
	DATE -	REVISED -

STATE OF ILLINOIS
DEPARTMENT OF TRANSPORTATION

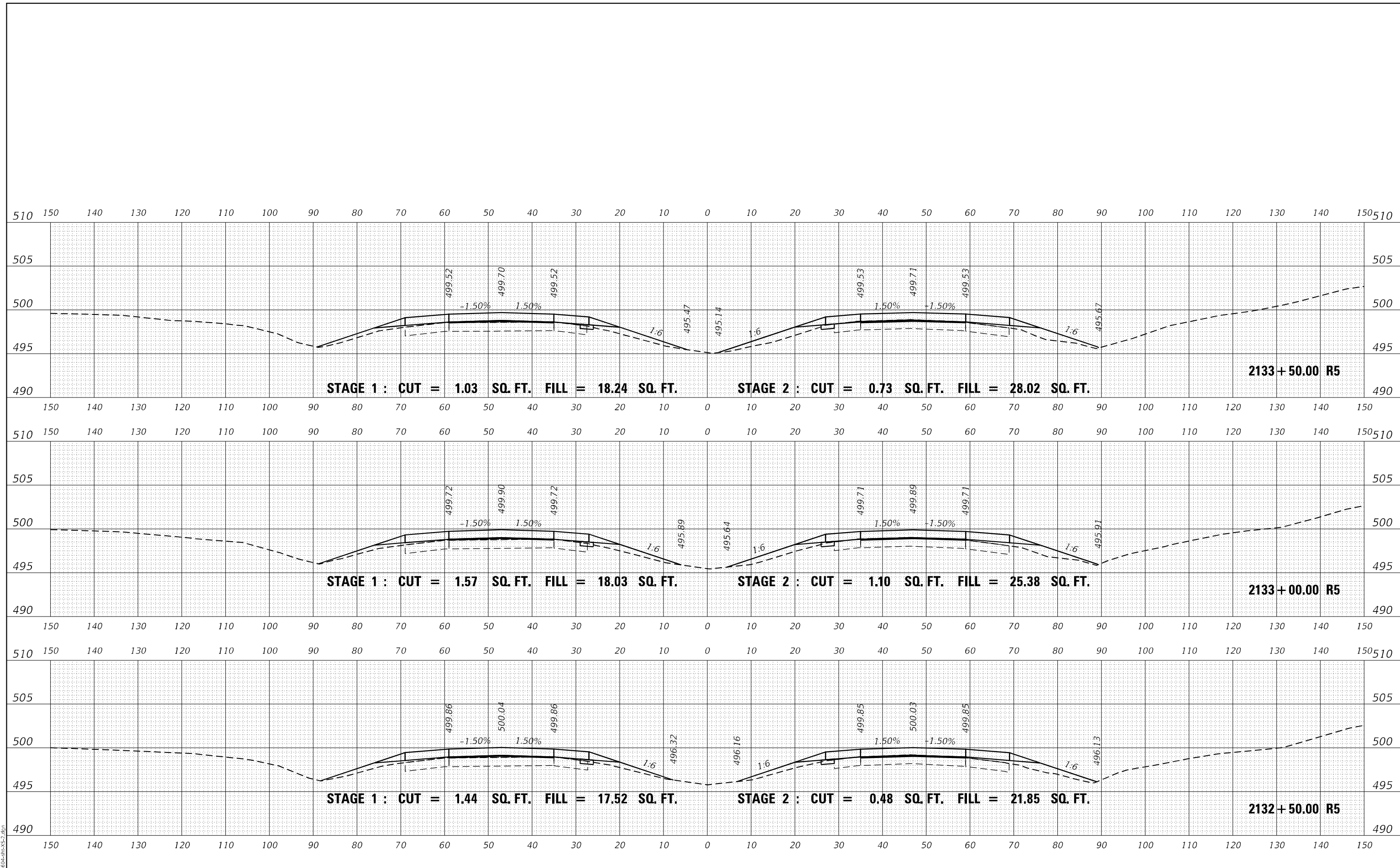
INTERSTATE 64
CROSS SECTIONS

SCALE: 50	SHEET	OF	SHEETS	STA. 2130+50.00 R5 TO STA. 2132+00.00 R5	F.A.I. RTE. I-64	SECTION *	COUNTY JEFFERSON	TOTAL SHEETS 1052	SHEET NO. 742
					ILLINOIS FED. AID PROJECT		CONTRACT NO. 78604		

(41-6,41-6-1,41-7)RS-2;BSMART 2023

DATE	
BY	
FINAL SURVEY	SURVEYED
NOTE BOOK	PLOTTED
NO.	TEMPLATE
	AREAS
	CHECKED

DATE	
BY	
ORIGINAL SURVEY	SURVEYED
NOTE BOOK	PLOTTED
NO.	TEMPLATE
	AREAS
	CHECKED



MODEL: D:\m\h\h
FILE NAME: ...029\8604-RS-R5-2.dgn

USER NAME = dhawes	DESIGNED -	REVISED -
PLOT SCALE = 20,0000 * / in.	DRAWN -	REVISED -
PLOT DATE = 11/4/2022 - 9:33:33 AM	CHECKED -	REVISED -
	DATE -	REVISED -

**STATE OF ILLINOIS
DEPARTMENT OF TRANSPORTATION**

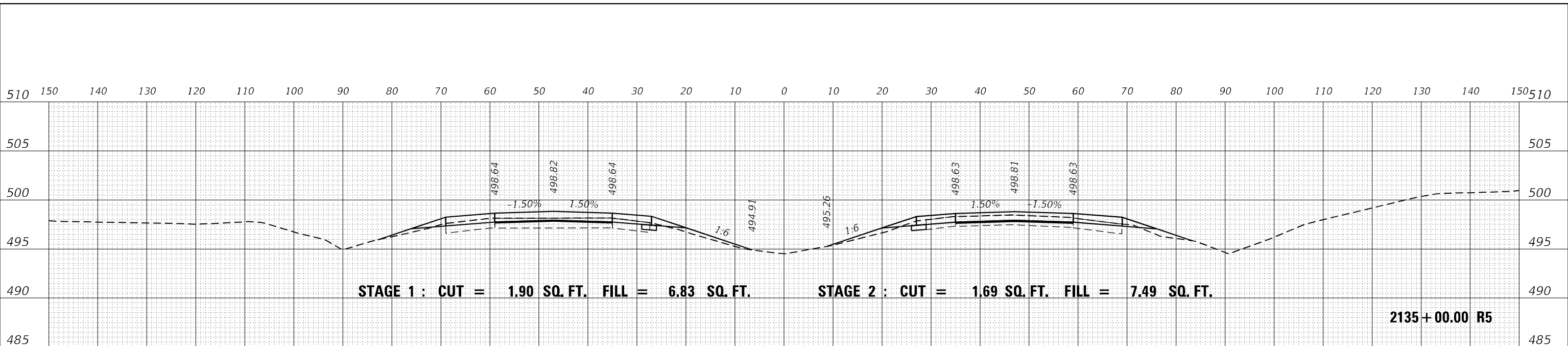
**INTERSTATE 64
CROSS SECTIONS**

SCALE: 50 SHEET OF SHEETS STA. 2132+50.00 R5 TO STA. 2133+50.00 R5

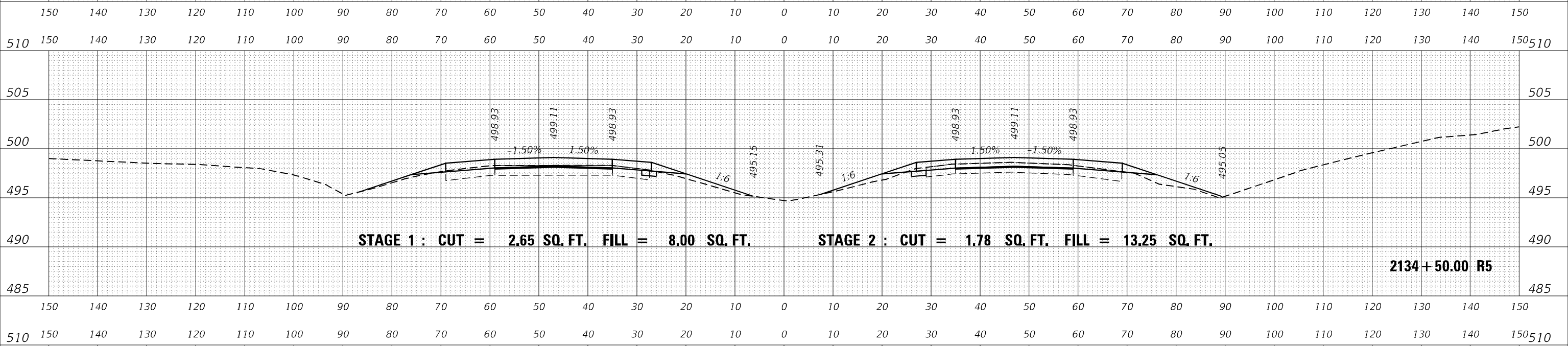
F.A.I. RTE.	SECTION	COUNTY	TOTAL SHEETS	SHEET NO.
I-64	*	JEFFERSON	1052	743
			CONTRACT NO. 78604	

* (41-6,41-6-1,41-7)RS-2;BSMART 2023

DATE	
BY	
SURVEYED	
PLOTTED	
TEMPLATE	
NOTE BOOK	
AREAS	
CHECKED	
NO.	



DATE	
BY	
SURVEYED	
PLOTTED	
TEMPLATE	
NOTE BOOK	
AREAS	
CHECKED	
NO.	



DATE	
BY	
SURVEYED	
PLOTTED	
TEMPLATE	
NOTE BOOK	
AREAS	
CHECKED	
NO.	



USER NAME = dhawes	DESIGNED -	REVISED -
	DRAWN -	REVISED -
PLOT SCALE = 20,000' / in.	CHECKED -	REVISED -
PLOT DATE = 11/4/2022 - 9:33:34 AM	DATE -	REVISED -

**STATE OF ILLINOIS
DEPARTMENT OF TRANSPORTATION**

**INTERSTATE 64
CROSS SECTIONS**

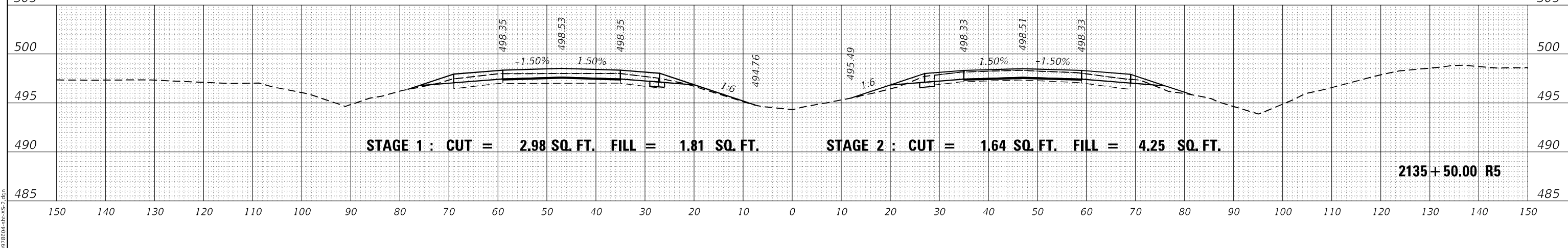
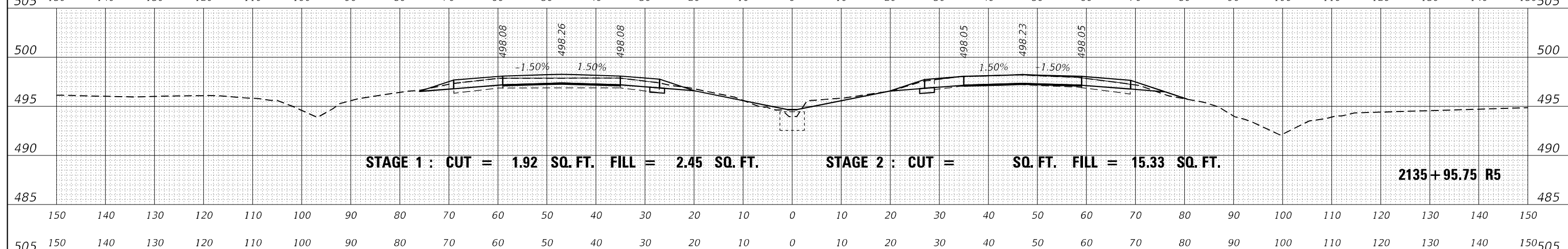
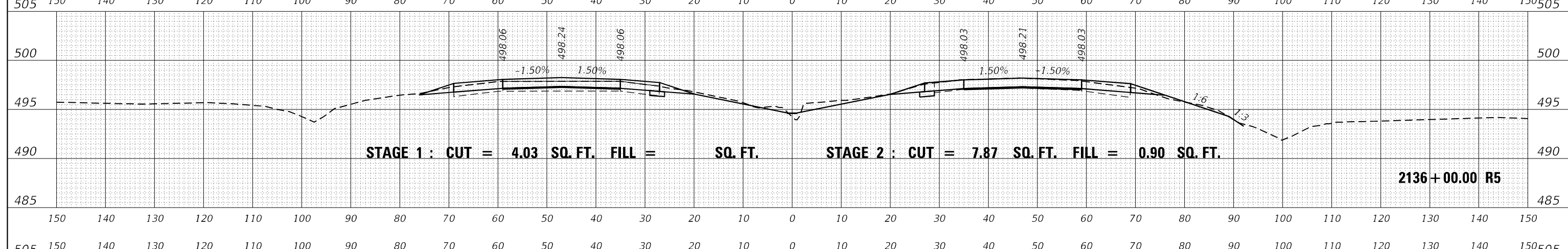
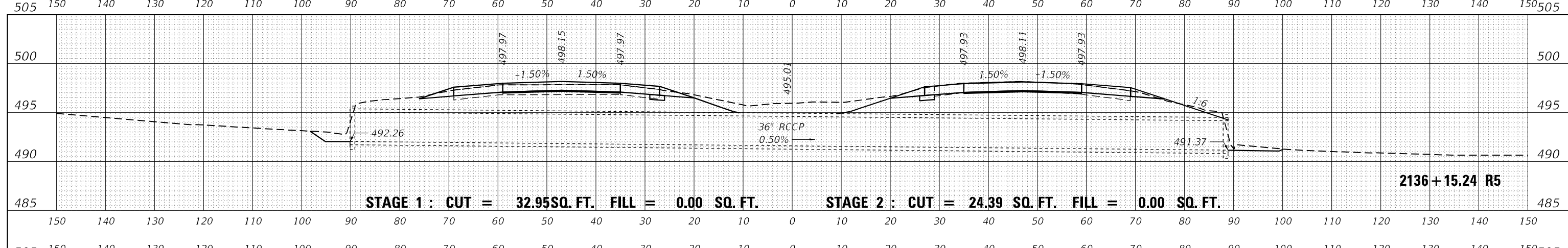
SCALE: 50 SHEET OF SHEETS STA. 2134+00.00 R5 TO STA. 2135+00.00 R5

F.A.I. RTE.	SECTION	COUNTY	TOTAL SHEETS	SHEET NO.
I-64	*	JEFFERSON	1052	744
			CONTRACT NO. 78604	

ILLINOIS FED. AID PROJECT
* (41-6,41-6-1,41-7)RS-2;BSMART 2023

DATE	
BY	
FINAL SURVEY	SURVEYED
NOTE BOOK	PLOTTED
NO.	TEMPLATE
	AREAS CHECKED

DATE	
BY	
ORIGINAL SURVEY	SURVEYED
NOTE BOOK	PLOTTED
NO.	TEMPLATE
	AREAS CHECKED



MODEL: D:\mfr\19
FILE NAME: ...029\8604-R5-S5-2.dgn

USER NAME = dhawes	DESIGNED -	REVISED -
PLOT SCALE = 20,0000' / in.	DRAWN -	REVISED -
PLOT DATE = 11/4/2022 - 9:33:34 AM	CHECKED -	REVISED -
	DATE -	REVISED -

**STATE OF ILLINOIS
DEPARTMENT OF TRANSPORTATION**

**INTERSTATE 64
CROSS SECTIONS**

SCALE: 50 SHEET OF SHEETS STA. 2135+50.00 R5 TO STA. 2136+15.24 R5

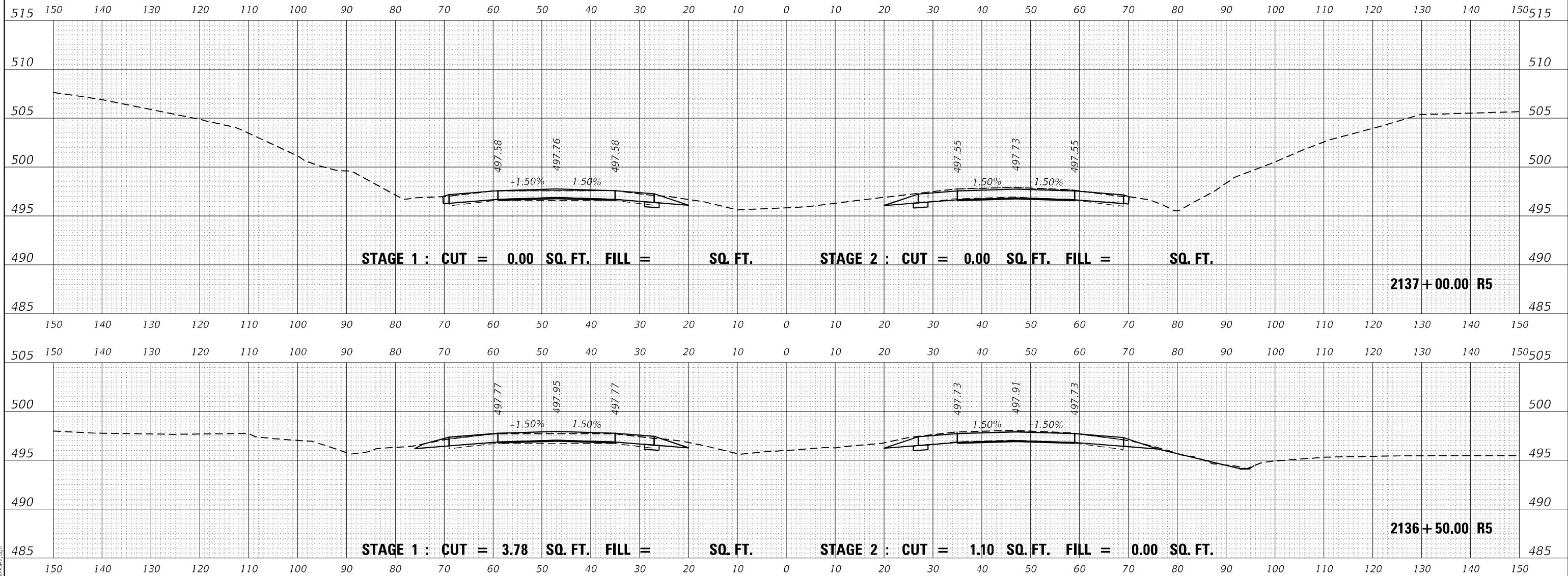
F.A.I. RTE.	SECTION	COUNTY	TOTAL SHEETS	SHEET NO.
I-64	*	JEFFERSON	1052	745
CONTRACT NO. 78604				
ILLINOIS FED. AID PROJECT				

(41-6,41-6-1,41-7)RS-2;BSMART 2023

FINAL SURVEY NO.	SURVEYED	BY	DATE
NOTE BOOK	PLOTTED		
	TEMPLATE		
	AREAS		
	CHECKED		

ORIGINAL SURVEY NO.	SURVEYED	BY	DATE
NOTE BOOK	PLOTTED		
	TEMPLATE		
	AREAS		
	CHECKED		

MODEL: D:\mfr\it
FILE NAME: ...02978604-R5-XS-2.dgn



USER NAME = dhawes	DESIGNED -	REVISED -
PLOT SCALE = 20,0000 * / in.	DRAWN -	REVISED -
PLOT DATE = 11/4/2022 - 9:33:34 AM	CHECKED -	REVISED -
	DATE -	REVISED -

**STATE OF ILLINOIS
DEPARTMENT OF TRANSPORTATION**

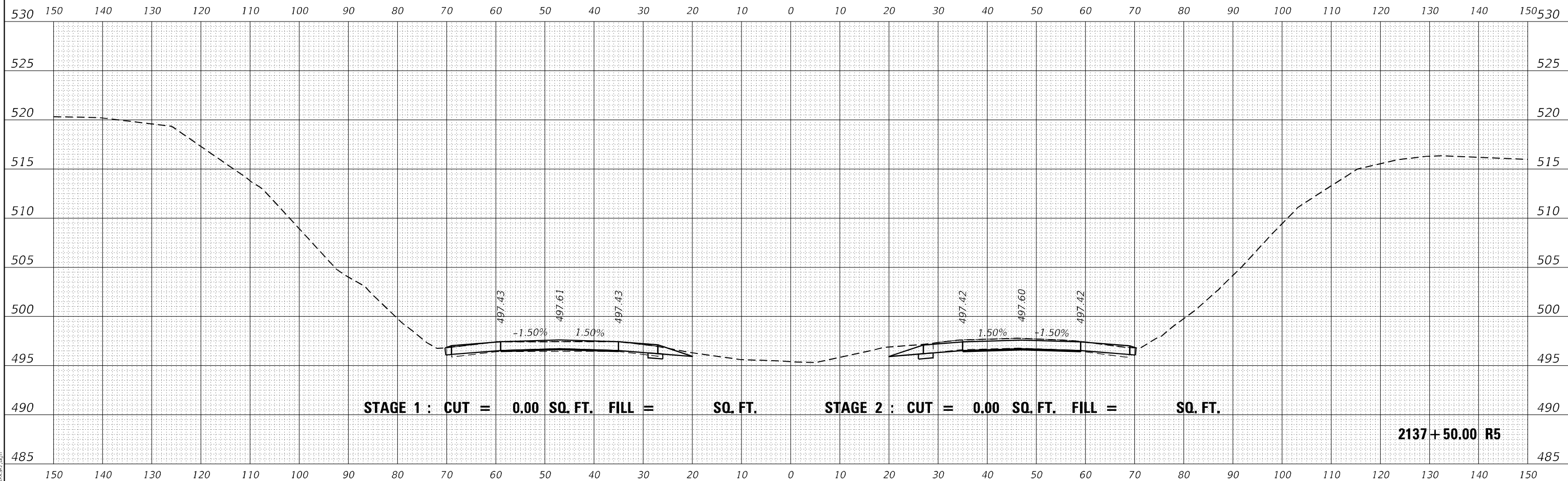
**INTERSTATE 64
CROSS SECTIONS**

SCALE: 50 SHEET OF SHEETS STA. 2136+50.00 R5 TO STA. 2137+00.00 R5

F.A.I. RTE.	SECTION	COUNTY	TOTAL SHEETS	SHEET NO.
I-64	*	JEFFERSON	1052	746
CONTRACT NO. 78604				

FINAL SURVEY	SURVEYED	DATE
NOTE BOOK	PLOTTED	BY
NO.	TEMPLATE	
	AREAS CHECKED	

ORIGINAL SURVEY	SURVEYED	DATE
NOTE BOOK	PLOTTED	BY
NO.	TEMPLATE	
	AREAS CHECKED	



MODEL: D:\mfr\it
FILE NAME: ...02978604-R5-XS-2.dgn

USER NAME = dhawes	DESIGNED -	REVISED -
PLOT SCALE = 20,0000 * / in.	DRAWN -	REVISED -
PLOT DATE = 11/4/2022 - 9:33:34 AM	CHECKED -	REVISED -
	DATE -	REVISED -

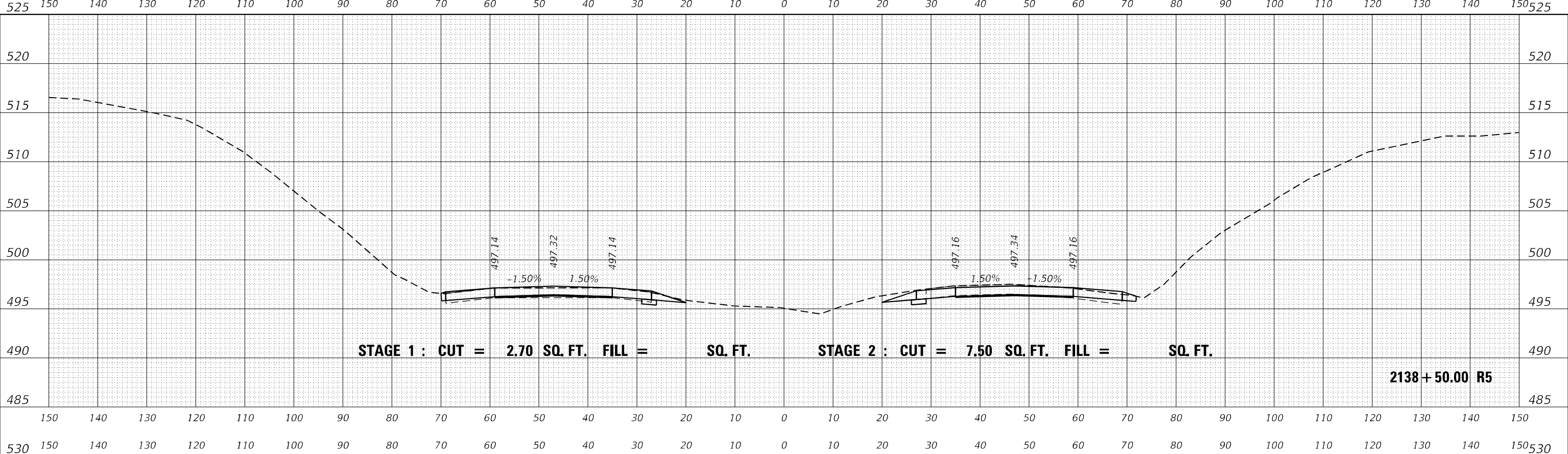
**STATE OF ILLINOIS
DEPARTMENT OF TRANSPORTATION**

**INTERSTATE 64
CROSS SECTIONS**

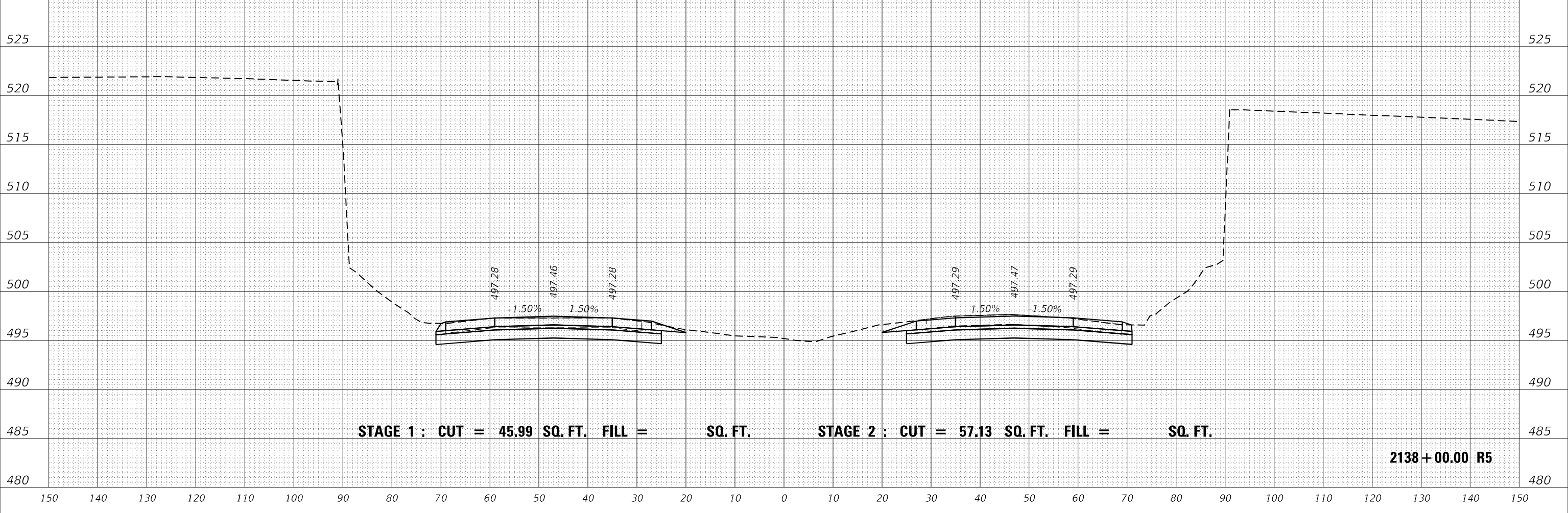
SCALE: 50 SHEET OF SHEETS STA. 2137+50.00 R5 TO STA. 2137+50.00 R5

F.A.I. RTE.	SECTION	COUNTY	TOTAL SHEETS	SHEET NO.
I-64	*	JEFFERSON	1052	747
			CONTRACT NO. 78604	

FINAL SURVEY	SURVEYED	DATE
NOTE BOOK	PLOTTED	BY
NO.	TEMPLATE	
	AREAS	
	CHECKED	



ORIGINAL SURVEY	SURVEYED	DATE
NOTE BOOK	PLOTTED	BY
NO.	TEMPLATE	
	AREAS	
	CHECKED	



MODEL: D:\mfr\...
FILE NAME: ...

USER NAME = dhawes	DESIGNED -	REVISED -
PLOT SCALE = 20,0000 * / in.	DRAWN -	REVISED -
PLOT DATE = 11/4/2022 - 9:33:35 AM	CHECKED -	REVISED -
	DATE -	REVISED -

**STATE OF ILLINOIS
DEPARTMENT OF TRANSPORTATION**

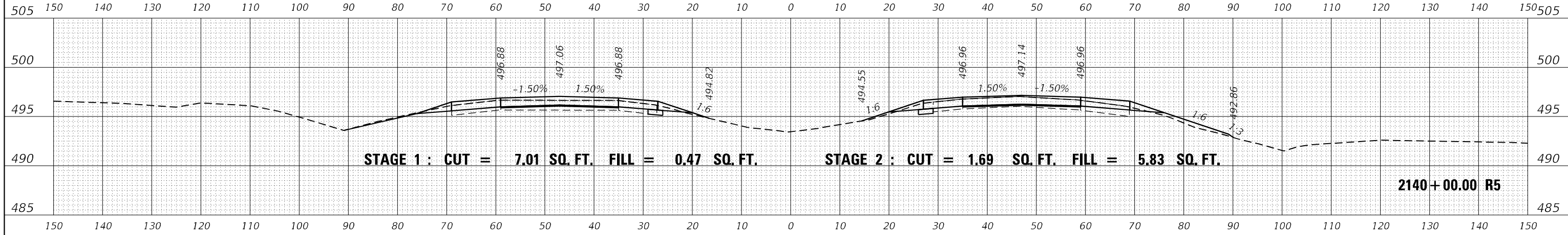
**INTERSTATE 64
CROSS SECTIONS**

SCALE: 50	SHEET	OF	SHEETS	STA. 2138+00.00 R5 TO STA. 2138+50.00 R5	ILLINOIS	FED. AID PROJECT
-----------	-------	----	--------	--	----------	------------------

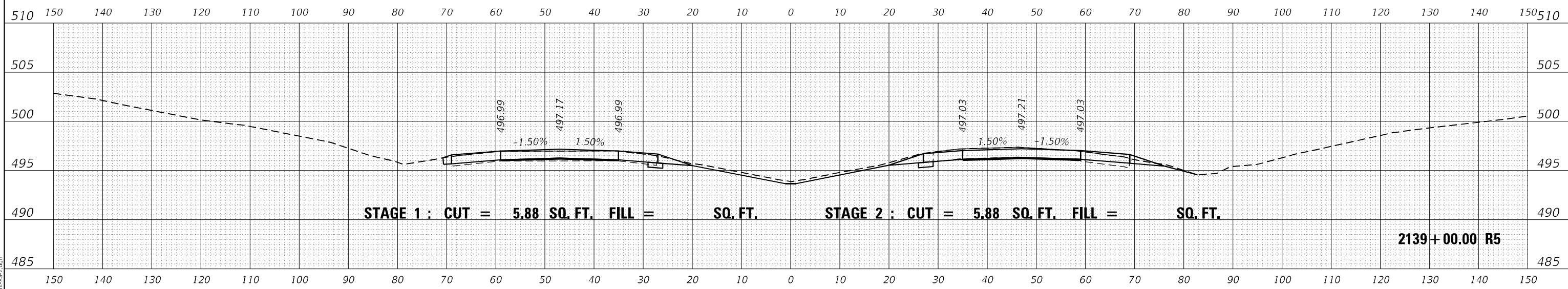
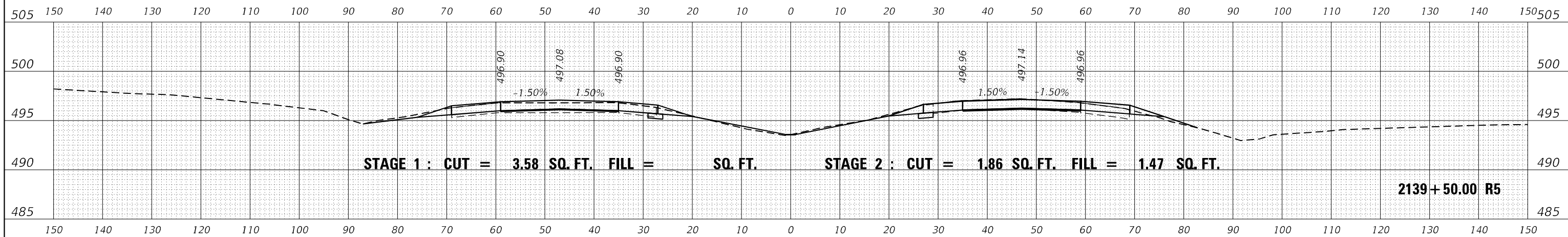
F.A.I. RTE.	SECTION	COUNTY	TOTAL SHEETS	SHEET NO.
I-64	*	JEFFERSON	1052	748
CONTRACT NO. 78604				

* (41-6,41-6-1,41-7)RS-2;BSMART 2023

DATE	
BY	
FINAL SURVEY	SURVEYED
NOTE BOOK	PLOTTED
NO.	AREAS CHECKED



DATE	
BY	
ORIGINAL SURVEY	SURVEYED
NOTE BOOK	PLOTTED
NO.	AREAS CHECKED



MODEL: D:\mfr\it
FILE NAME: ...029\8604-R5-R5-2.dgn

USER NAME = dhawes	DESIGNED -	REVISED -
	DRAWN -	REVISED -
PLOT SCALE = 20,0000 * / in.	CHECKED -	REVISED -
PLOT DATE = 11/4/2022 - 9:33:35 AM	DATE -	REVISED -

**STATE OF ILLINOIS
DEPARTMENT OF TRANSPORTATION**

**INTERSTATE 64
CROSS SECTIONS**

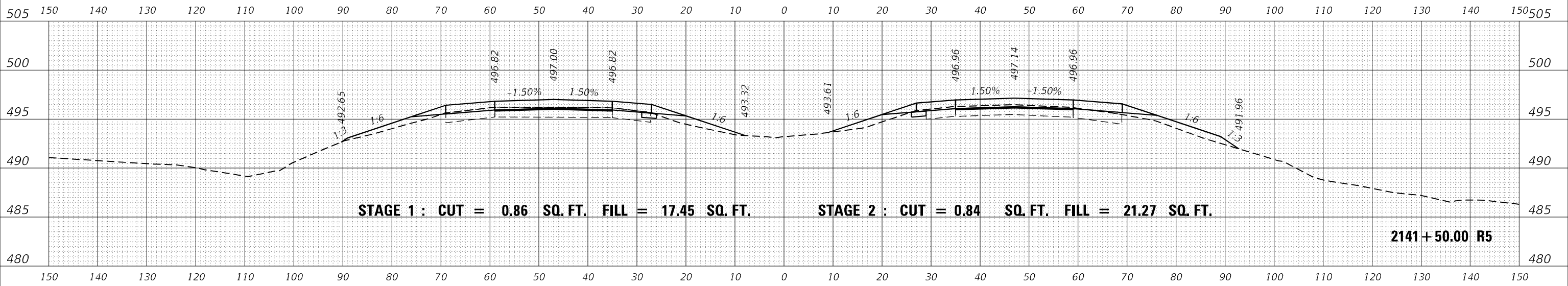
SCALE: 50 SHEET OF SHEETS STA. 2139+00.00 R5 TO STA. 2140+00.00 R5

F.A.I. RTE.	SECTION	COUNTY	TOTAL SHEETS	SHEET NO.
I-64	*	JEFFERSON	1052	749
				CONTRACT NO. 78604

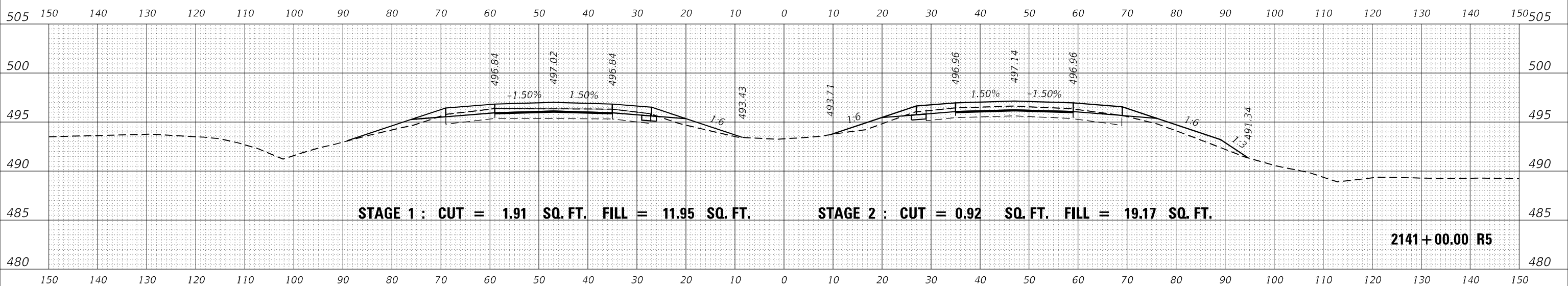
ILLINOIS FED. AID PROJECT

* (41-6,41-6-1,41-7)RS-2;BSMART 2023

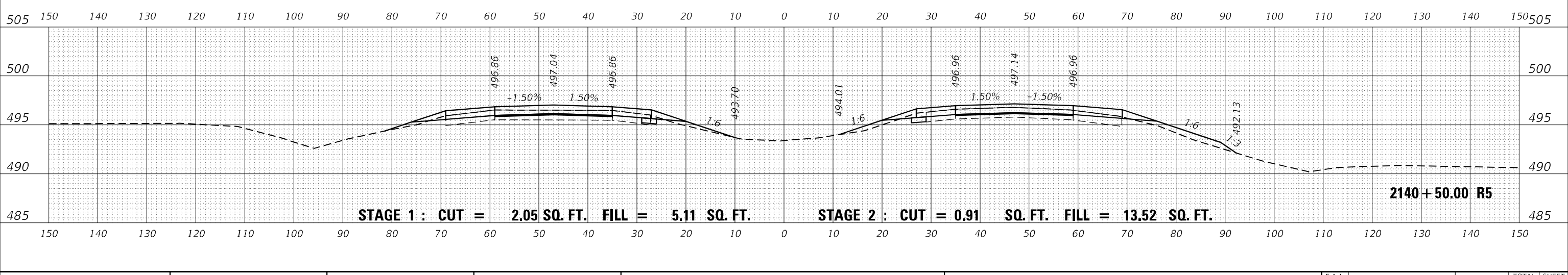
DATE	
BY	
FINAL SURVEY	SURVEYED
NOTE BOOK	PLOTTED
NO.	TEMPLATE
	AREAS
	CHECKED



DATE	
BY	
ORIGINAL SURVEY	SURVEYED
NOTE BOOK	PLOTTED
NO.	TEMPLATE
	AREAS
	CHECKED



DATE	
BY	
ORIGINAL SURVEY	SURVEYED
NOTE BOOK	PLOTTED
NO.	TEMPLATE
	AREAS
	CHECKED



MODEL: D:\mfr\it
 FILE NAME: ...029\8604-R5-R5-2.dgn

USER NAME = dhawes	DESIGNED -	REVISED -
PLOT SCALE = 20,0000' / in.	DRAWN -	REVISED -
PLOT DATE = 11/4/2022 - 9:33:36 AM	CHECKED -	REVISED -
	DATE -	REVISED -

**STATE OF ILLINOIS
DEPARTMENT OF TRANSPORTATION**

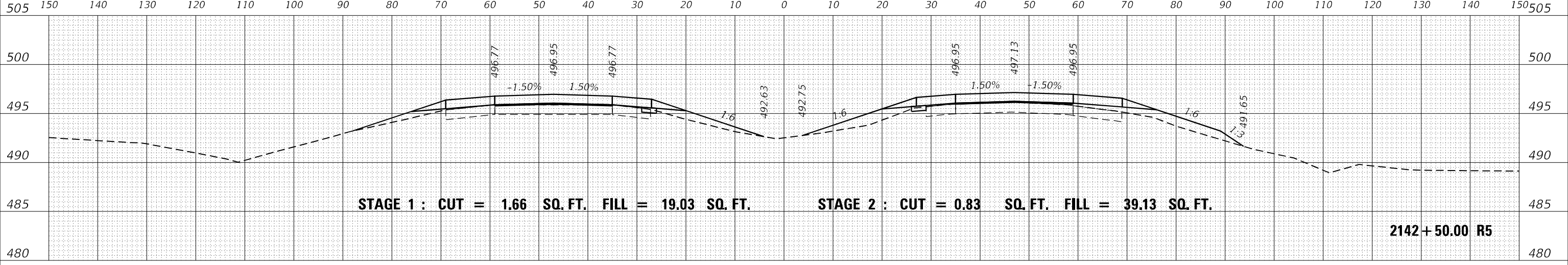
**INTERSTATE 64
CROSS SECTIONS**

SCALE: 50 SHEET OF SHEETS STA. 2140+50.00 R5 TO STA. 2141+50.00 R5

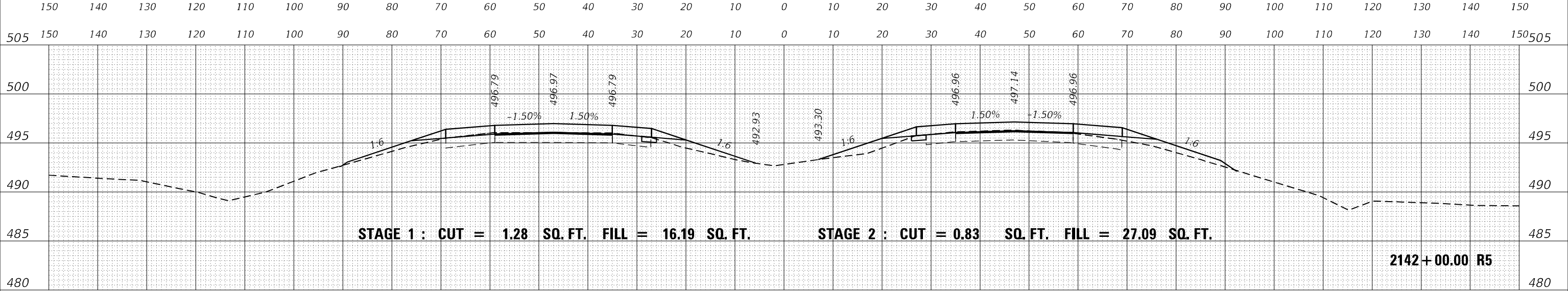
F.A.I. RTE.	SECTION	COUNTY	TOTAL SHEETS	SHEET NO.
I-64	*	JEFFERSON	1052	750
CONTRACT NO. 78604				

* (41-6,41-6-1,41-7)RS-2;BSMART 2023

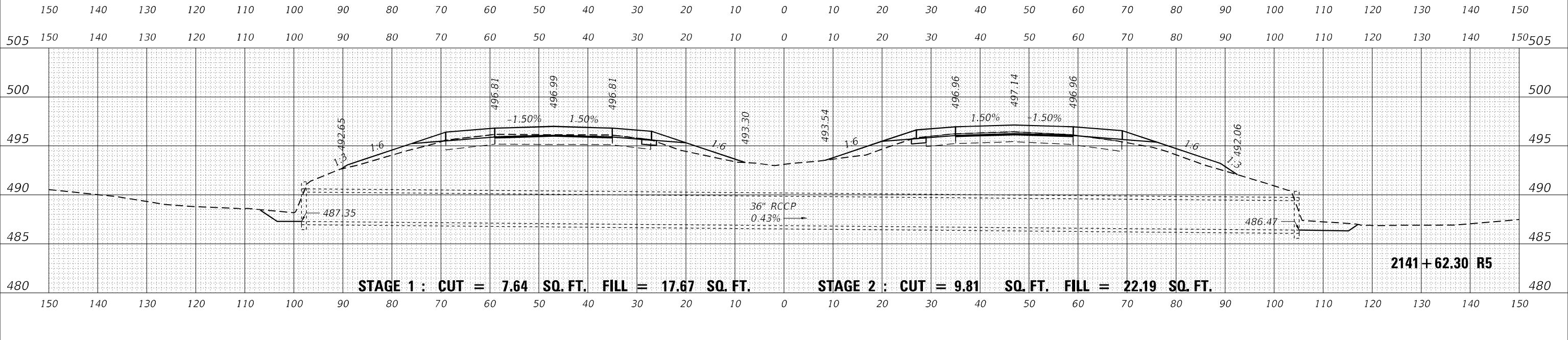
DATE	
BY	
FINAL SURVEY	SURVEYED
NOTE BOOK	PLOTTED
NO.	AREAS CHECKED



DATE	
BY	
ORIGINAL SURVEY	SURVEYED
NOTE BOOK	PLOTTED
NO.	AREAS CHECKED



MODEL: D:\mfr\it
FILE NAME: ...029\8604-RS-VS-2.dgn



USER NAME = dhawes	DESIGNED -	REVISED -
PLOT SCALE = 20,0000' / in.	DRAWN -	REVISED -
PLOT DATE = 11/4/2022 - 9:33:36 AM	CHECKED -	REVISED -
	DATE -	REVISED -

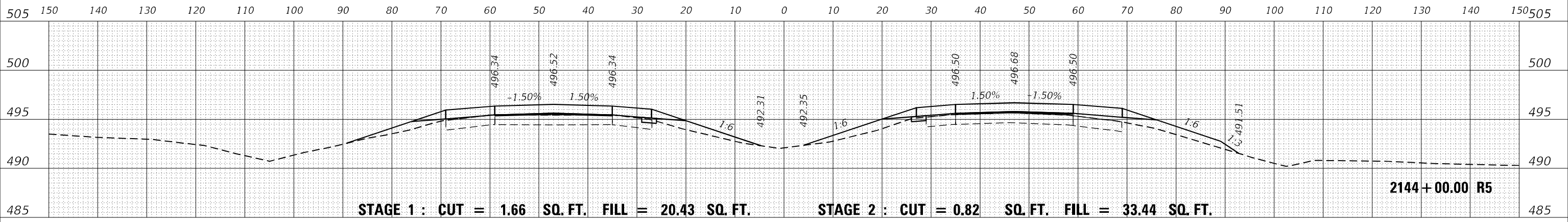
**STATE OF ILLINOIS
DEPARTMENT OF TRANSPORTATION**

**INTERSTATE 64
CROSS SECTIONS**

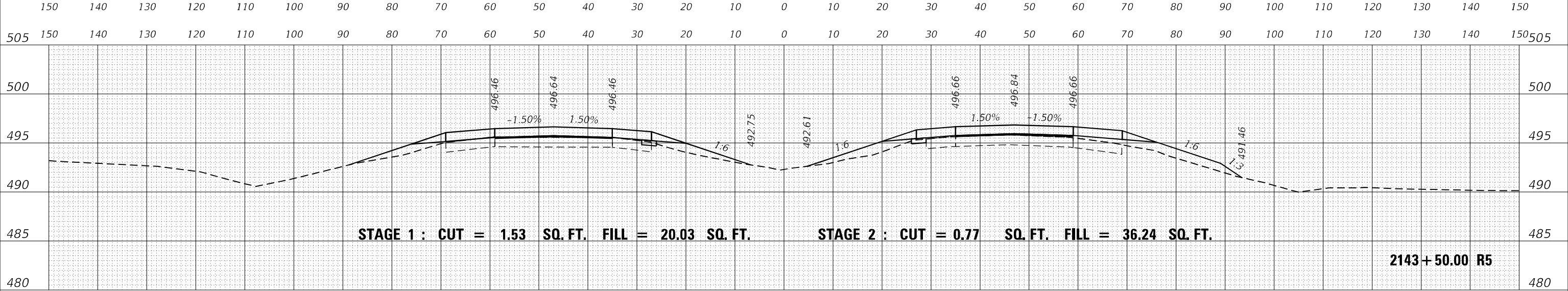
SCALE: 50	SHEET	OF	SHEETS	STA. 2141+62.30 R5 TO STA. 2142+50.00 R5	F.A.I. RTE. I-64	SECTION *	COUNTY JEFFERSON	TOTAL SHEETS 1052	SHEET NO. 751
-----------	-------	----	--------	--	------------------	-----------	------------------	-------------------	---------------

(41-6,41-6-1,41-7)RS-2;BSMART 2023

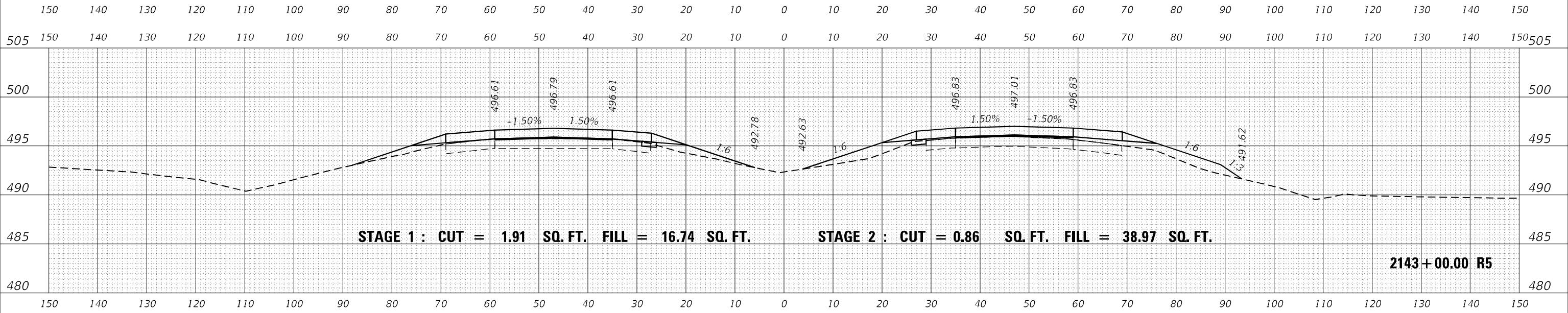
DATE	
BY	
FINAL SURVEY	SURVEYED
NOTE BOOK	PLOTTED
NO.	TEMPLATE
	AREAS CHECKED



DATE	
BY	
ORIGINAL SURVEY	SURVEYED
NOTE BOOK	PLOTTED
NO.	TEMPLATE
	AREAS CHECKED



DATE	
BY	
ORIGINAL SURVEY	SURVEYED
NOTE BOOK	PLOTTED
NO.	TEMPLATE
	AREAS CHECKED



MODEL: D:\mfr\it
FILE NAME: ...029\8604-R5-S-2.dgn

USER NAME = dhawes	DESIGNED -	REVISED -
PLOT SCALE = 20,0000' / in.	DRAWN -	REVISED -
PLOT DATE = 11/4/2022 - 9:33:37 AM	CHECKED -	REVISED -
	DATE -	REVISED -

**STATE OF ILLINOIS
DEPARTMENT OF TRANSPORTATION**

**INTERSTATE 64
CROSS SECTIONS**

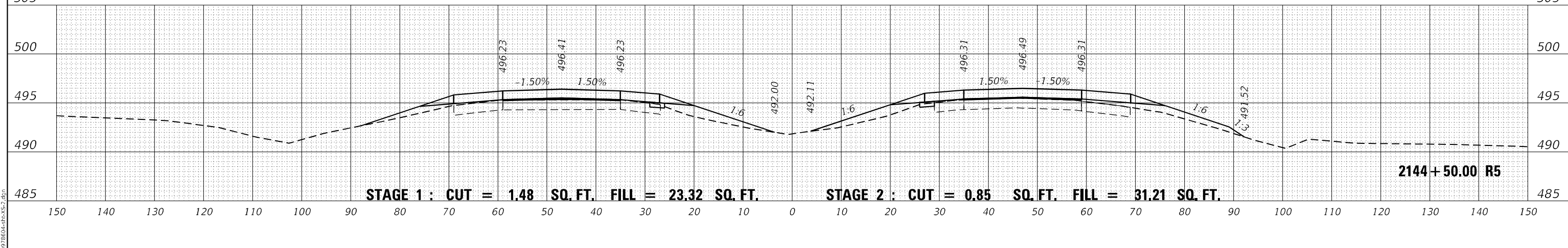
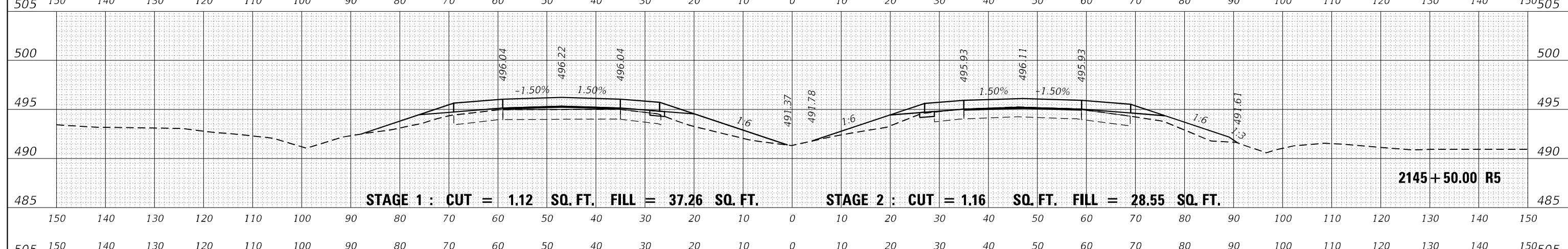
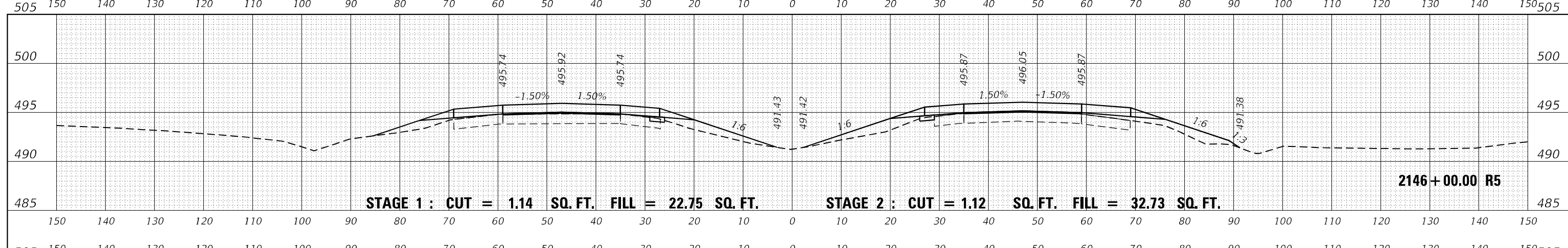
SCALE: 50 SHEET OF SHEETS STA. 2143+00.00 R5 TO STA. 2144+00.00 R5

F.A.I. RTE.	SECTION	COUNTY	TOTAL SHEETS	SHEET NO.
I-64	*	JEFFERSON	1052	752
CONTRACT NO. 78604				
ILLINOIS FED. AID PROJECT				

* (41-6,41-6-1,41-7)RS-2;BSMART 2023

DATE	
BY	
FINAL SURVEY	SURVEYED
NOTE BOOK	PLOTTED
NO.	TEMPLATE
	AREAS
	CHECKED

DATE	
BY	
ORIGINAL SURVEY	SURVEYED
NOTE BOOK	PLOTTED
NO.	TEMPLATE
	AREAS
	CHECKED



MODEL: D:\mfr\...
FILE NAME: ...

USER NAME = dhawes	DESIGNED -	REVISED -
	DRAWN -	REVISED -
PLOT SCALE = 20,000' / in.	CHECKED -	REVISED -
PLOT DATE = 11/4/2022 - 9:33:37 AM	DATE -	REVISED -

**STATE OF ILLINOIS
DEPARTMENT OF TRANSPORTATION**

**INTERSTATE 64
CROSS SECTIONS**

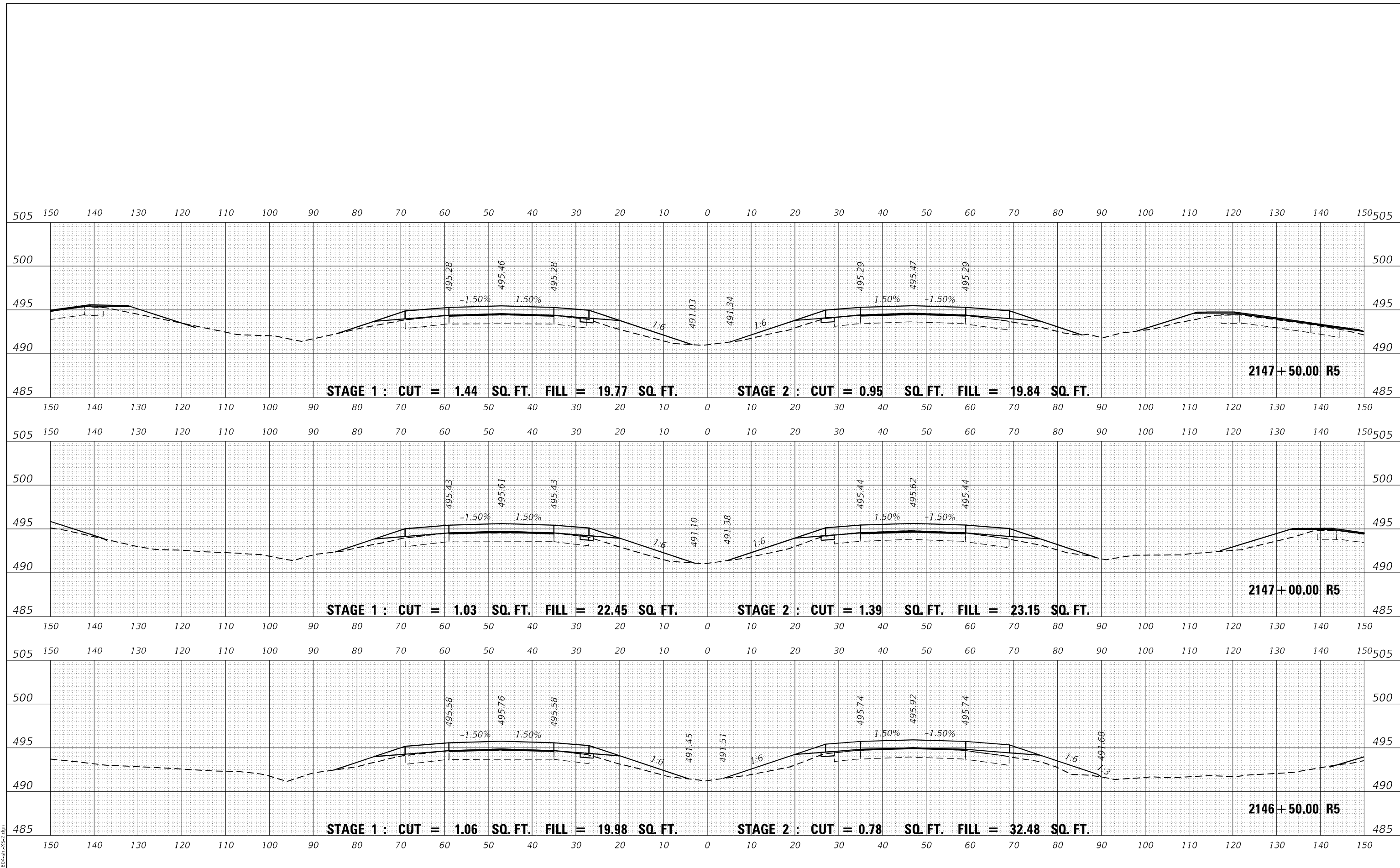
SCALE: 50 SHEET OF SHEETS STA. 2144+50.00 R5 TO STA. 2146+00.00 R5

F.A.I. RTE.	SECTION	COUNTY	TOTAL SHEETS	SHEET NO.
I-64	*	JEFFERSON	1052	753
			CONTRACT NO. 78604	

* (41-6,41-6-1,41-7)RS-2;BSMART 2023

DATE	
BY	
FINAL SURVEY	SURVEYED
NOTE BOOK	PLOTTED
NO.	TEMPLATE
	AREAS
	CHECKED

DATE	
BY	
ORIGINAL SURVEY	SURVEYED
NOTE BOOK	PLOTTED
NO.	TEMPLATE
	AREAS
	CHECKED



MODEL: D:\mfr\h
FILE NAME: ...029\8604-RS-VS-2.dgn

USER NAME = dhawes	DESIGNED -	REVISED -
	DRAWN -	REVISED -
PLOT SCALE = 20,0000' / in.	CHECKED -	REVISED -
PLOT DATE = 11/4/2022 - 9:33:38 AM	DATE -	REVISED -

**STATE OF ILLINOIS
DEPARTMENT OF TRANSPORTATION**

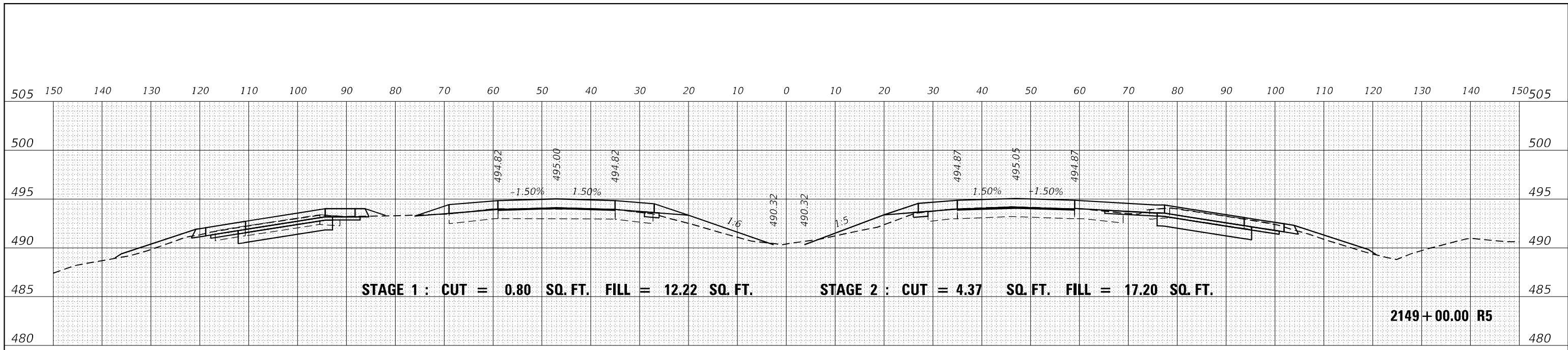
**INTERSTATE 64
CROSS SECTIONS**

SCALE: 50 SHEET OF SHEETS STA. 2146+50.00 R5 TO STA. 2147+50.00 R5

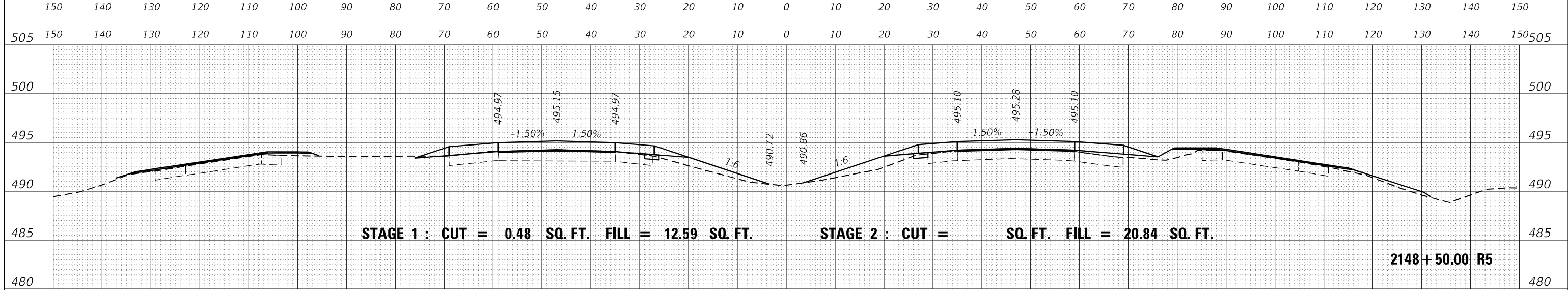
F.A.I. RTE.	SECTION	COUNTY	TOTAL SHEETS	SHEET NO.
I-64	*	JEFFERSON	1052	754
			CONTRACT NO. 78604	
ILLINOIS FED. AID PROJECT				

* (41-6,41-6-1,41-7)RS-2;BSMART 2023

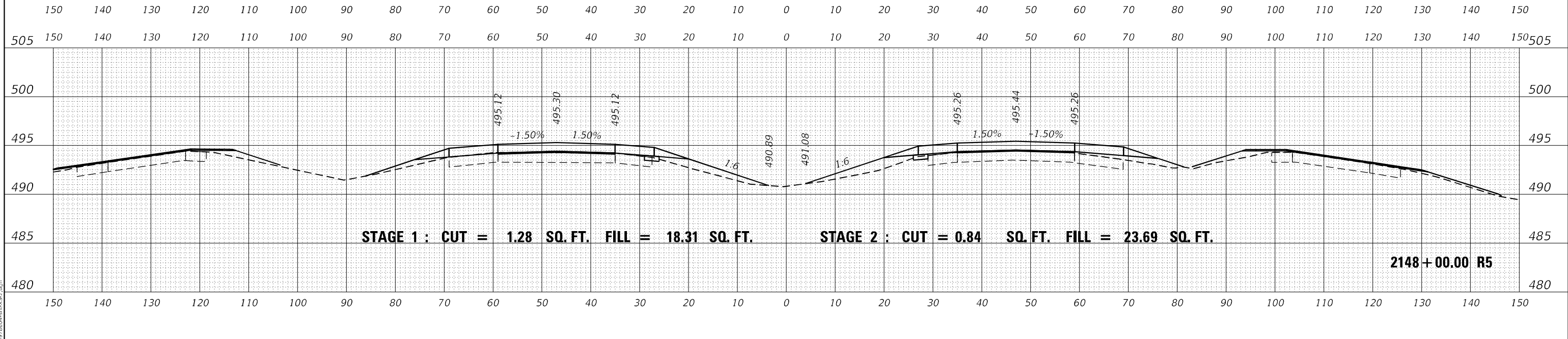
DATE	
BY	
FINAL SURVEY	SURVEYED
NOTE BOOK	PLOTTED
NO.	TEMPLATE
	AREAS CHECKED



DATE	
BY	
ORIGINAL SURVEY	SURVEYED
NOTE BOOK	PLOTTED
NO.	TEMPLATE
	AREAS CHECKED



DATE	
BY	
ORIGINAL SURVEY	SURVEYED
NOTE BOOK	PLOTTED
NO.	TEMPLATE
	AREAS CHECKED



MODEL: D:\mfr\...
FILE NAME: ...

USER NAME = dhawes	DESIGNED -	REVISED -
PLOT SCALE = 20,000' / in.	DRAWN -	REVISED -
PLOT DATE = 11/4/2022 - 9:33:38 AM	CHECKED -	REVISED -
	DATE -	REVISED -

**STATE OF ILLINOIS
DEPARTMENT OF TRANSPORTATION**

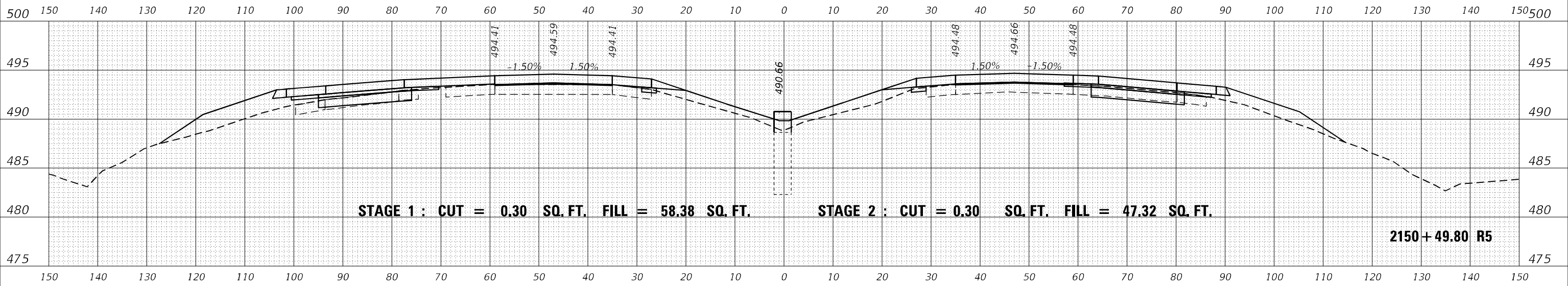
**INTERSTATE 64
CROSS SECTIONS**

SCALE: 50 SHEET OF SHEETS STA. 2148+00.00 R5 TO STA. 2149+00.00 R5

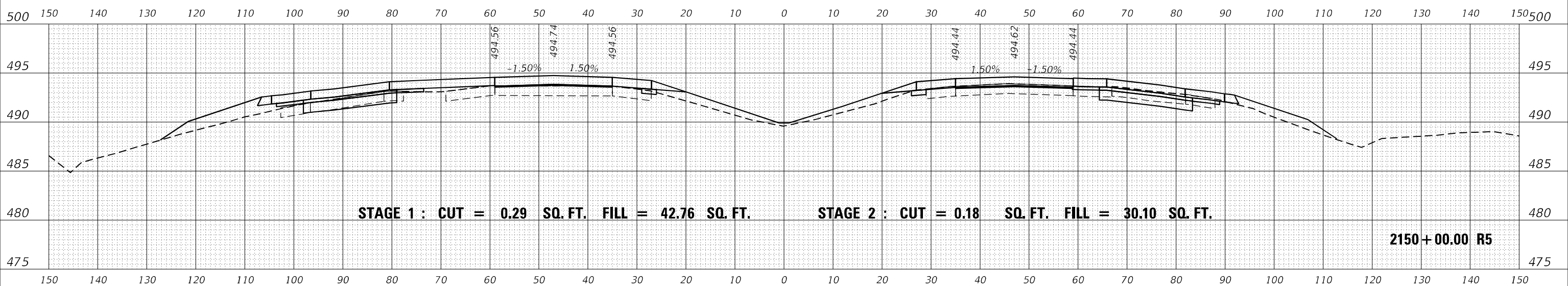
F.A.I. RTE.	SECTION	COUNTY	TOTAL SHEETS	SHEET NO.
I-64	*	JEFFERSON	1052	755
			CONTRACT NO. 78604	

* (41-6,41-6-1,41-7)RS-2;BSMART 2023

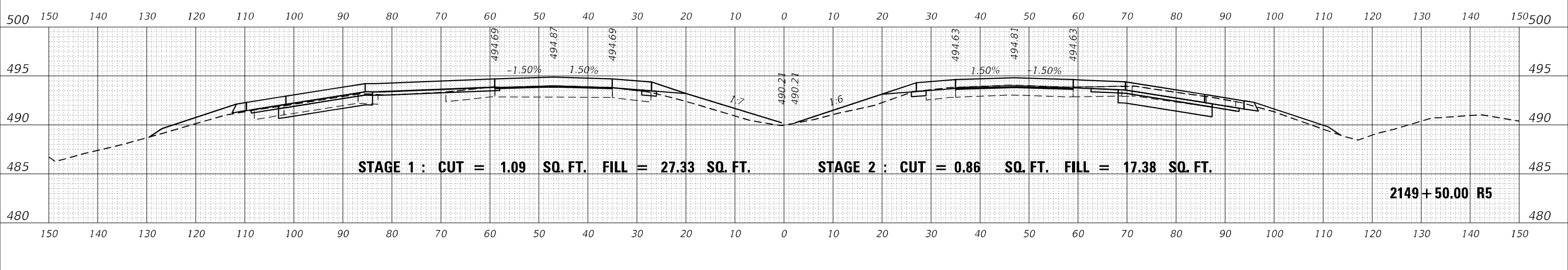
DATE	
BY	
FINAL SURVEY	SURVEYED
NOTE BOOK	PLOTTED
NO.	TEMPLATE
	AREAS
	CHECKED



DATE	
BY	
ORIGINAL SURVEY	SURVEYED
NOTE BOOK	PLOTTED
NO.	TEMPLATE
	AREAS
	CHECKED



DATE	
BY	
ORIGINAL SURVEY	SURVEYED
NOTE BOOK	PLOTTED
NO.	TEMPLATE
	AREAS
	CHECKED



MODEL: D:\mfr\h
FILE NAME: ...029\8604-R5-XS-2.dgn

USER NAME = dhawes	DESIGNED -	REVISED -
PLOT SCALE = 20,0000 * / in.	DRAWN -	REVISED -
PLOT DATE = 11/4/2022 - 9:33:39 AM	CHECKED -	REVISED -
	DATE -	REVISED -

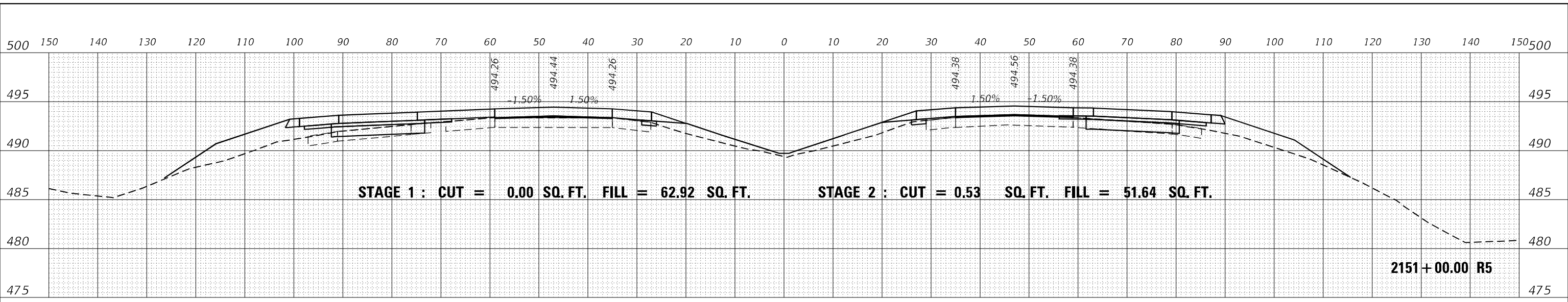
**STATE OF ILLINOIS
DEPARTMENT OF TRANSPORTATION**

**INTERSTATE 64
CROSS SECTIONS**

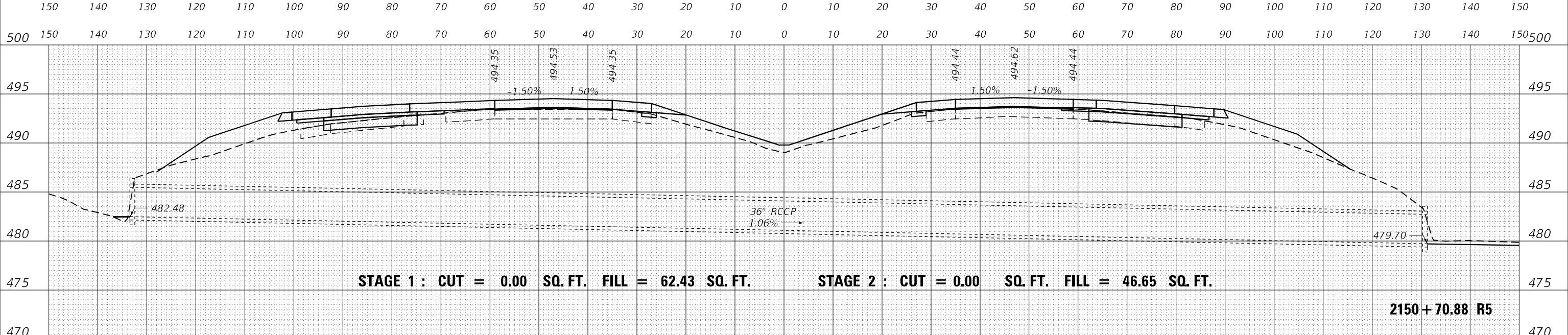
SCALE: 50 SHEET OF SHEETS STA. 2149+50.00 R5 TO STA. 2150+49.80 R5

F.A.I. RTE.	SECTION	COUNTY	TOTAL SHEETS	SHEET NO.
I-64	*	JEFFERSON	1052	756
CONTRACT NO. 78604				

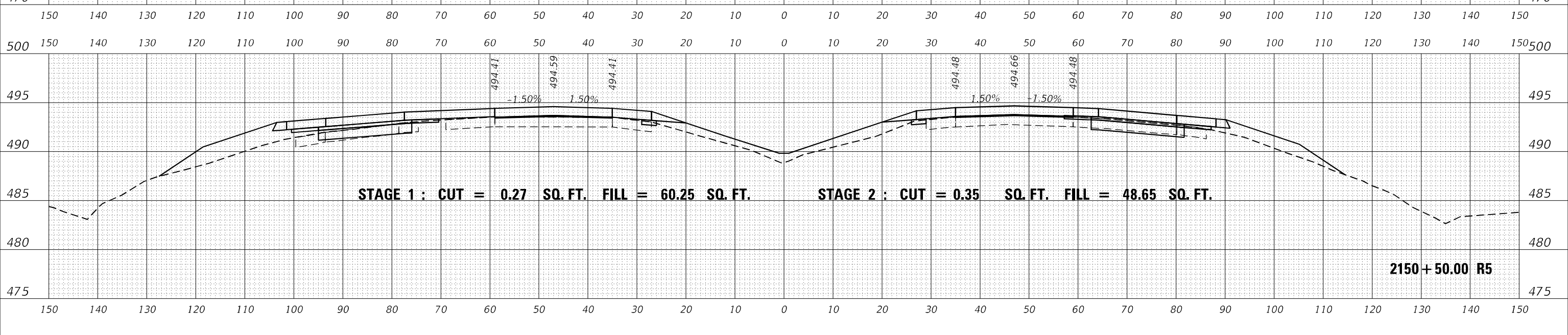
DATE	
BY	
FINAL SURVEY	SURVEYED
NOTE BOOK	PLOTTED
NO.	TEMPLATE
	AREAS
	CHECKED



DATE	
BY	
ORIGINAL SURVEY	SURVEYED
NOTE BOOK	PLOTTED
NO.	TEMPLATE
	AREAS
	CHECKED



DATE	
BY	
ORIGINAL SURVEY	SURVEYED
NOTE BOOK	PLOTTED
NO.	TEMPLATE
	AREAS
	CHECKED



MODEL: D:\mfr\h
FILE NAME: ...029\8604-R5-S-2.dgn

USER NAME = dhawes	DESIGNED -	REVISED -
	DRAWN -	REVISED -
PLOT SCALE = 20,0000 * / in.	CHECKED -	REVISED -
PLOT DATE = 11/4/2022 - 9:33:39 AM	DATE -	REVISED -

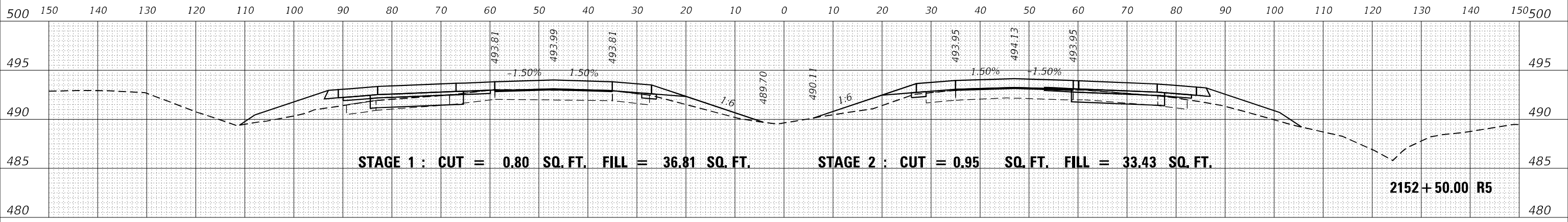
**STATE OF ILLINOIS
DEPARTMENT OF TRANSPORTATION**

**INTERSTATE 64
CROSS SECTIONS**

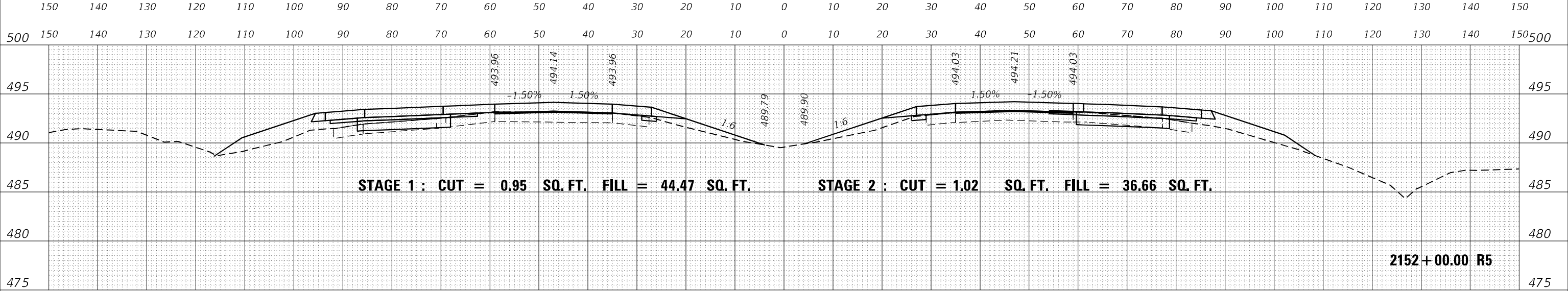
SCALE: 50 SHEET OF SHEETS STA. 2150+50.00 R5 TO STA. 2151+00.00 R5

F.A.I. RTE.	SECTION	COUNTY	TOTAL SHEETS	SHEET NO.
I-64	*	JEFFERSON	1052	757
			CONTRACT NO. 78604	

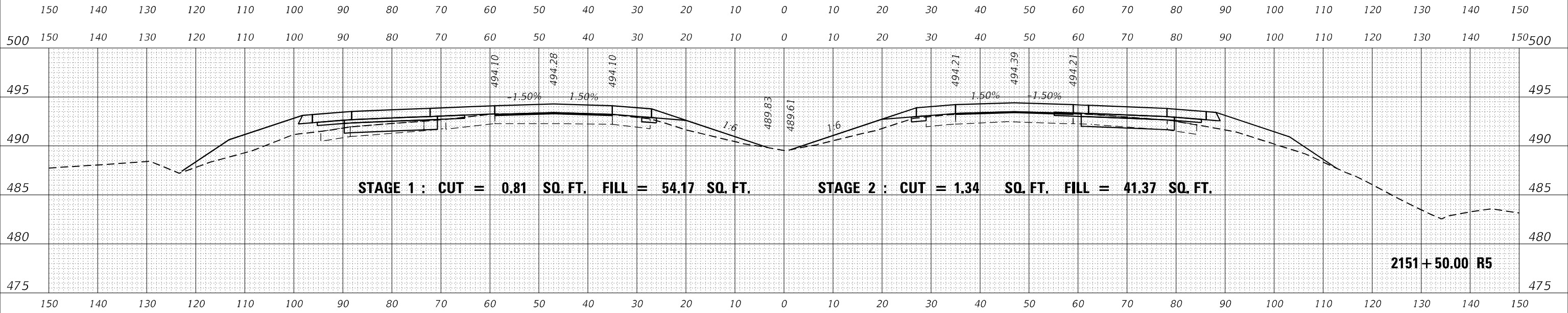
DATE	
BY	
FINAL SURVEY	SURVEYED
NOTE BOOK	PLOTTED
NO.	AREAS CHECKED



DATE	
BY	
ORIGINAL SURVEY	SURVEYED
NOTE BOOK	PLOTTED
NO.	AREAS CHECKED



DATE	
BY	
ORIGINAL SURVEY	SURVEYED
NOTE BOOK	PLOTTED
NO.	AREAS CHECKED



MODEL: D:\mfr\...
 FILE NAME: ...02\8604-R5-R5-2.dgn

USER NAME = dhawes	DESIGNED -	REVISED -
	DRAWN -	REVISED -
PLOT SCALE = 20,0000' / in.	CHECKED -	REVISED -
PLOT DATE = 11/4/2022 - 9:33:40 AM	DATE -	REVISED -

**STATE OF ILLINOIS
 DEPARTMENT OF TRANSPORTATION**

**INTERSTATE 64
 CROSS SECTIONS**

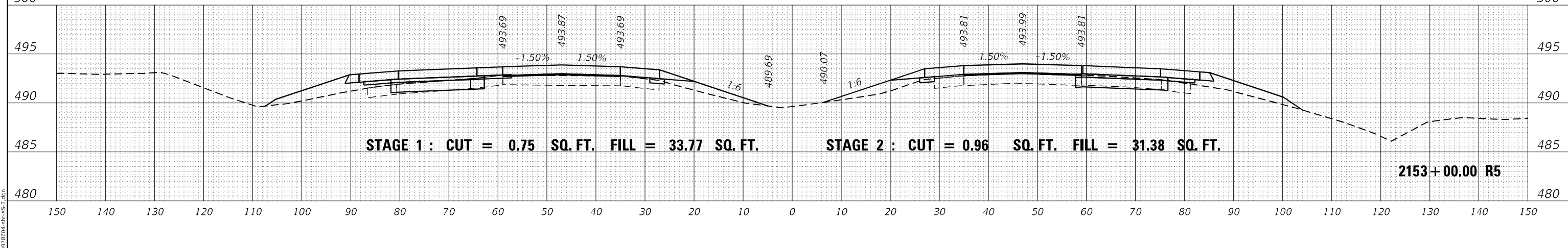
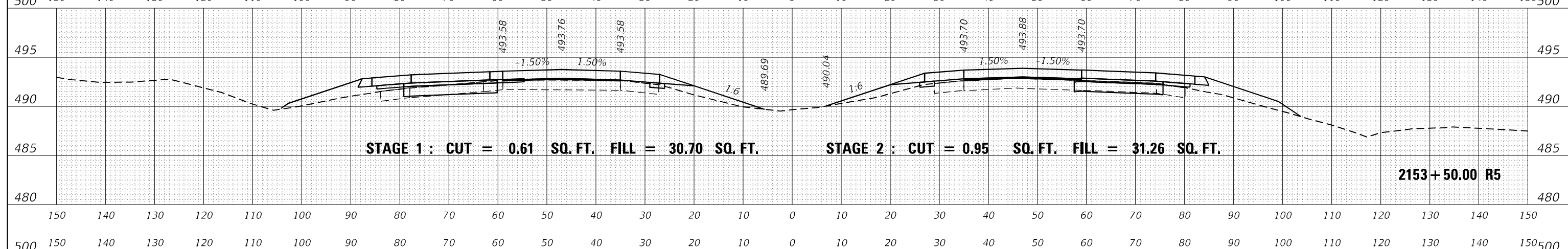
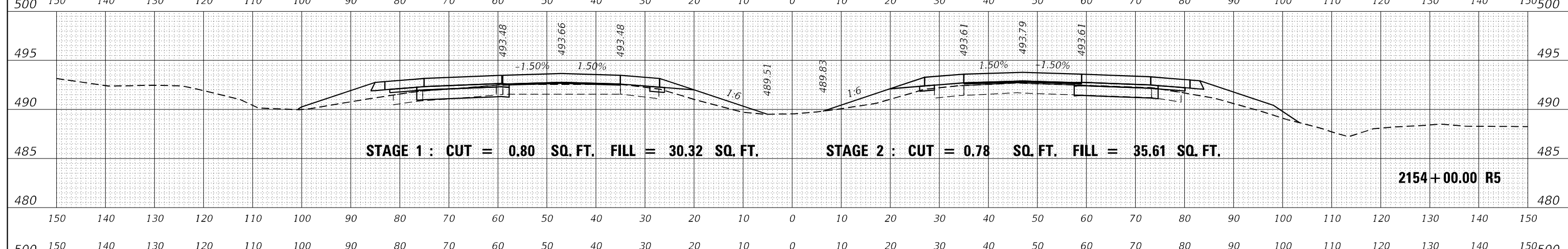
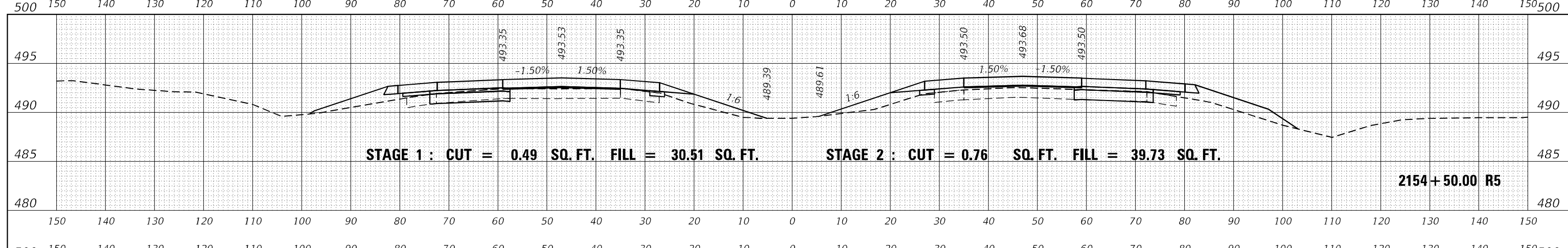
SCALE: 50 SHEET OF SHEETS STA. 2151+50.00 R5 TO STA. 2152+50.00 R5

F.A.I. RTE.	SECTION	COUNTY	TOTAL SHEETS	SHEET NO.
I-64	*	JEFFERSON	1052	758
				CONTRACT NO. 78604

(41-6,41-6-1,41-7)RS-2;BSMART 2023

DATE	
BY	
FINAL SURVEY	SURVEYED
NOTE BOOK	PLOTTED
NO.	AREAS CHECKED

DATE	
BY	
ORIGINAL SURVEY	SURVEYED
NOTE BOOK	PLOTTED
NO.	AREAS CHECKED



MODEL: D:\mfr\h
FILE NAME: ...029\6604-18-VS-2.dgn

USER NAME = dhawes	DESIGNED -	REVISED -
	DRAWN -	REVISED -
PLOT SCALE = 20,000 * / in.	CHECKED -	REVISED -
PLOT DATE = 11/4/2022 - 9:33:40 AM	DATE -	REVISED -

**STATE OF ILLINOIS
DEPARTMENT OF TRANSPORTATION**

**INTERSTATE 64
CROSS SECTIONS**

SCALE: 50 SHEET OF SHEETS STA. 2153+00.00 R5 TO STA. 2154+50.00 R5

F.A.I. RTE.	SECTION	COUNTY	TOTAL SHEETS	SHEET NO.
I-64	*	JEFFERSON	1052	759
CONTRACT NO. 78604				

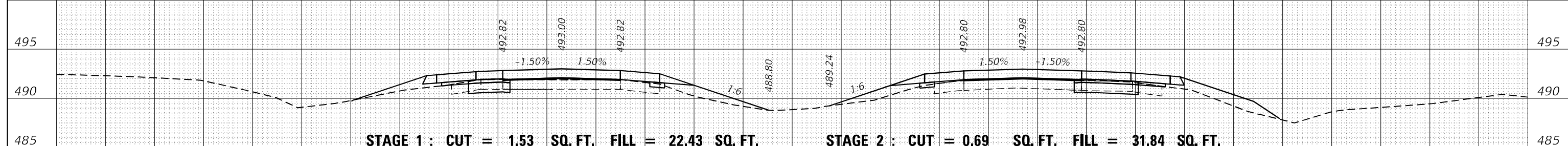
DATE	
BY	
FINAL SURVEY	SURVEYED
NOTE BOOK	PLOTTED
NO.	TEMPLATE
	AREAS CHECKED

DATE	
BY	
ORIGINAL SURVEY	SURVEYED
NOTE BOOK	PLOTTED
NO.	TEMPLATE
	AREAS CHECKED



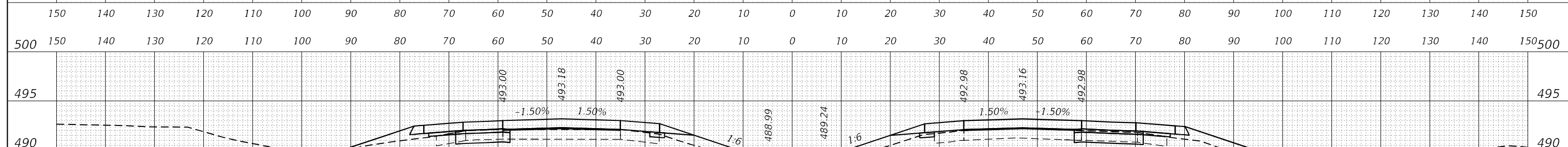
500 150 140 130 120 110 100 90 80 70 60 50 40 30 20 10 0 10 20 30 40 50 60 70 80 90 100 110 120 130 140 150

500 150 140 130 120 110 100 90 80 70 60 50 40 30 20 10 0 10 20 30 40 50 60 70 80 90 100 110 120 130 140 150



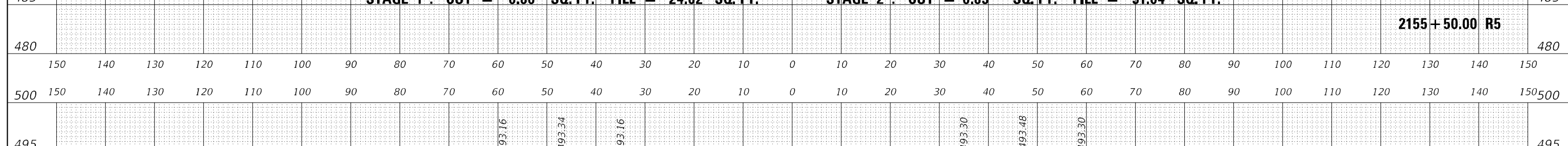
500 150 140 130 120 110 100 90 80 70 60 50 40 30 20 10 0 10 20 30 40 50 60 70 80 90 100 110 120 130 140 150

500 150 140 130 120 110 100 90 80 70 60 50 40 30 20 10 0 10 20 30 40 50 60 70 80 90 100 110 120 130 140 150



500 150 140 130 120 110 100 90 80 70 60 50 40 30 20 10 0 10 20 30 40 50 60 70 80 90 100 110 120 130 140 150

500 150 140 130 120 110 100 90 80 70 60 50 40 30 20 10 0 10 20 30 40 50 60 70 80 90 100 110 120 130 140 150



500 150 140 130 120 110 100 90 80 70 60 50 40 30 20 10 0 10 20 30 40 50 60 70 80 90 100 110 120 130 140 150

500 150 140 130 120 110 100 90 80 70 60 50 40 30 20 10 0 10 20 30 40 50 60 70 80 90 100 110 120 130 140 150

MODEL: D:\mfr\...
FILE NAME: ...

USER NAME = dhawes	DESIGNED -	REVISED -
PLOT SCALE = 20,000 * / in.	DRAWN -	REVISED -
PLOT DATE = 11/4/2022 - 9:33:41 AM	CHECKED -	REVISED -
	DATE -	REVISED -

**STATE OF ILLINOIS
DEPARTMENT OF TRANSPORTATION**

**INTERSTATE 64
CROSS SECTIONS**

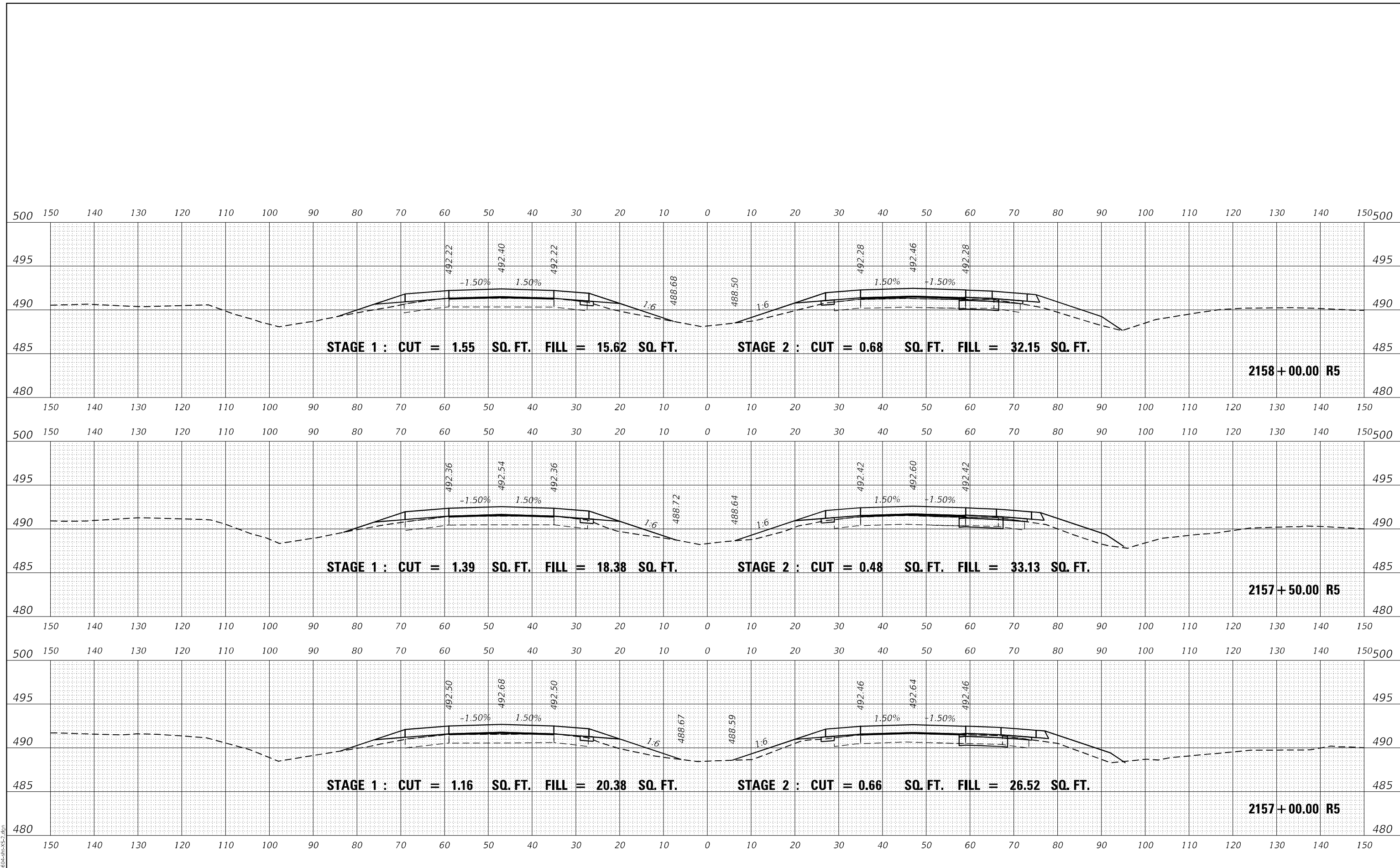
SCALE: 50 SHEET OF SHEETS STA. 2155+00.00 R5 TO STA. 2156+50.00 R5

F.A.I. RTE.	SECTION	COUNTY	TOTAL SHEETS	SHEET NO.
I-64	*	JEFFERSON	1052	760
			CONTRACT NO. 78604	

* (41-6,41-6-1,41-7)RS-2;BSMART 2023

DATE	
BY	
FINAL SURVEY	SURVEYED
NOTE BOOK	PLOTTED
NO.	TEMPLATE
	AREAS
	CHECKED

DATE	
BY	
ORIGINAL SURVEY	SURVEYED
NOTE BOOK	PLOTTED
NO.	TEMPLATE
	AREAS
	CHECKED

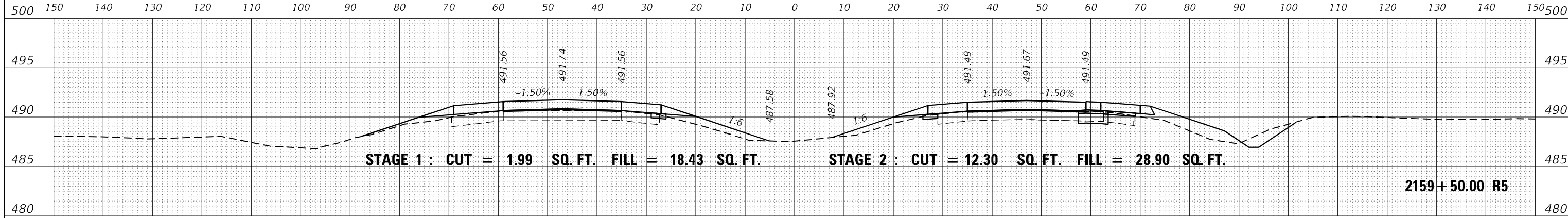


MODEL: D:\mfr\h
 FILE NAME: ...02978604-R5-VS-2.dgn

USER NAME = dhawes	DESIGNED -	REVISED -	STATE OF ILLINOIS DEPARTMENT OF TRANSPORTATION	INTERSTATE 64 CROSS SECTIONS	F.A.I. RTE.	SECTION	COUNTY	TOTAL SHEETS	SHEET NO.	
PLOT SCALE = 20,0000 * / in.	DRAWN -	REVISED -			I-64	*	JEFFERSON	1052	761	
PLOT DATE = 11/4/2022 - 9:33:42 AM	CHECKED -	REVISED -			CONTRACT NO. 78604					
	DATE -	REVISED -			SCALE: 50	SHEET	OF	SHEETS	STA. 2157+00.00 R5 TO STA. 2158+00.00 R5	ILLINOIS

(41-6,41-6-1,41-7)RS-2;BSMART 2023

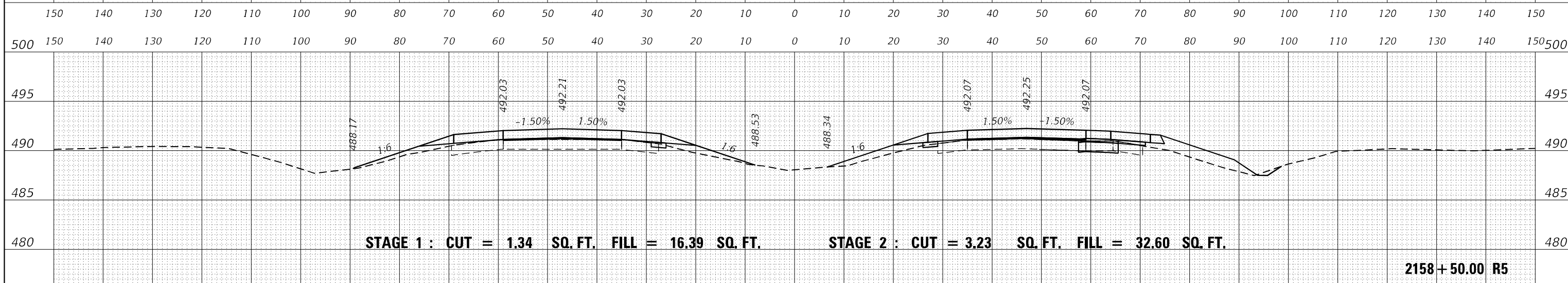
DATE	
BY	
FINAL SURVEY	SURVEYED
NOTE BOOK	PLOTTED
NO.	TEMPLATE
	AREAS
	CHECKED



DATE	
BY	
ORIGINAL SURVEY	SURVEYED
NOTE BOOK	PLOTTED
NO.	TEMPLATE
	AREAS
	CHECKED



DATE	
BY	
ORIGINAL SURVEY	SURVEYED
NOTE BOOK	PLOTTED
NO.	TEMPLATE
	AREAS
	CHECKED



MODEL: D:\mfr\it
FILE NAME: ...029\8604-R5-R5-2.dgn

USER NAME = dhawes	DESIGNED -	REVISED -
	DRAWN -	REVISED -
PLOT SCALE = 20,0000 * / in.	CHECKED -	REVISED -
PLOT DATE = 11/4/2022 - 9:33:42 AM	DATE -	REVISED -

**STATE OF ILLINOIS
DEPARTMENT OF TRANSPORTATION**

**INTERSTATE 64
CROSS SECTIONS**

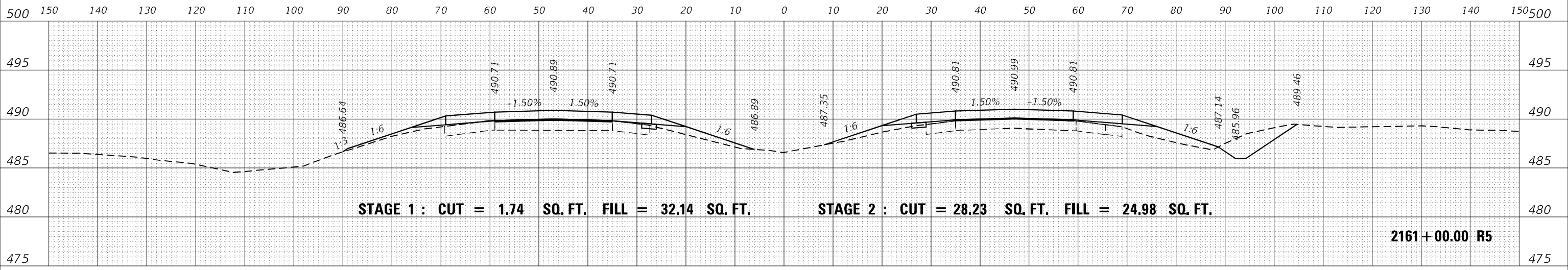
F.A.I. RTE.	SECTION	COUNTY	TOTAL SHEETS	SHEET NO.
I-64	*	JEFFERSON	1052	762
CONTRACT NO. 78604				

SCALE: 50 SHEET OF SHEETS STA. 2158+50.00 R5 TO STA. 2159+50.00 R5

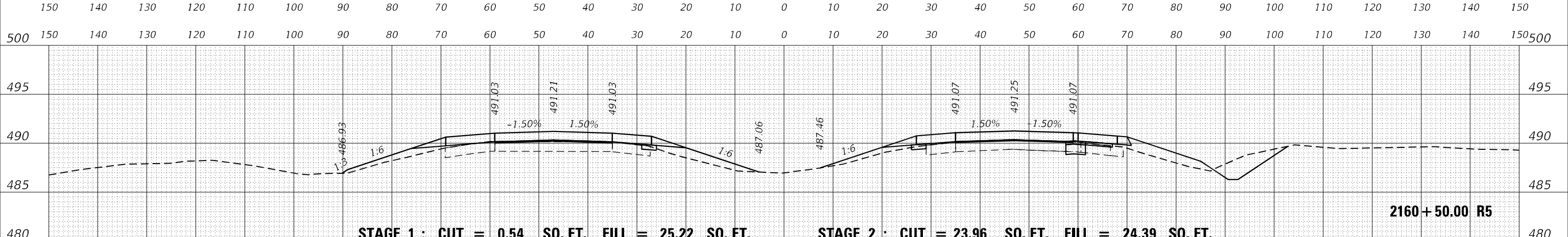
ILLINOIS FED. AID PROJECT

* (41-6,41-6-1,41-7)RS-2;BSMART 2023

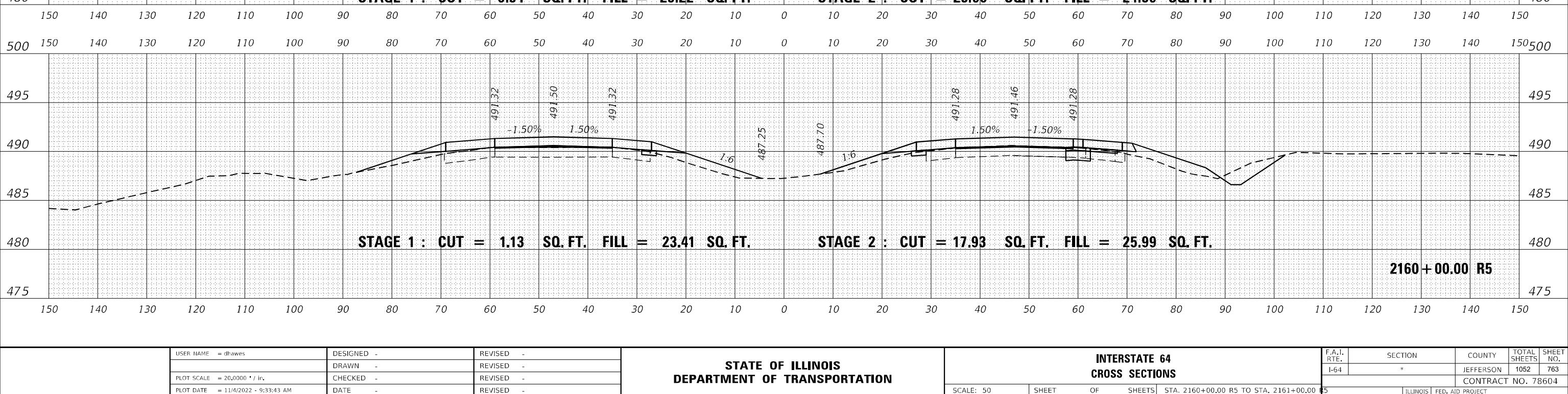
DATE	
BY	
FINAL SURVEY	SURVEYED
NOTE BOOK	PLOTTED
NO.	AREAS CHECKED



DATE	
BY	
ORIGINAL SURVEY	SURVEYED
NOTE BOOK	PLOTTED
NO.	AREAS CHECKED



DATE	
BY	
ORIGINAL SURVEY	SURVEYED
NOTE BOOK	PLOTTED
NO.	AREAS CHECKED



MODEL: D:\mfrh
FILE NAME: ...029\8604-R5-RS-2.dgn

USER NAME = dhawes	DESIGNED -	REVISED -
	DRAWN -	REVISED -
PLOT SCALE = 20,000 * / in.	CHECKED -	REVISED -
PLOT DATE = 11/4/2022 - 9:33:43 AM	DATE -	REVISED -

**STATE OF ILLINOIS
DEPARTMENT OF TRANSPORTATION**

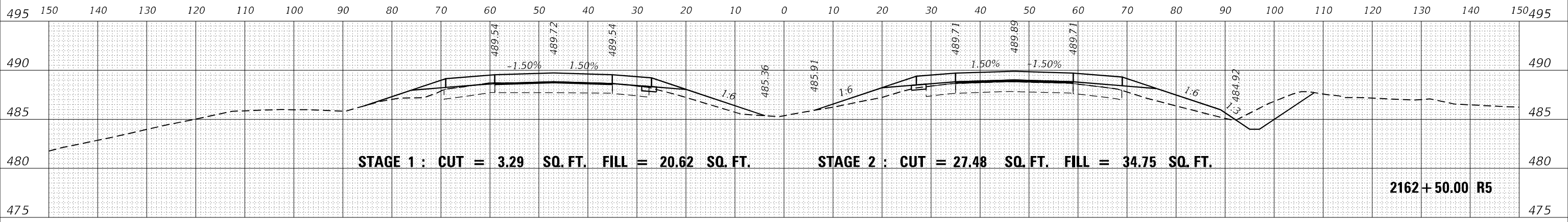
**INTERSTATE 64
CROSS SECTIONS**

SCALE: 50 SHEET OF SHEETS STA. 2160+00.00 R5 TO STA. 2161+00.00 R5

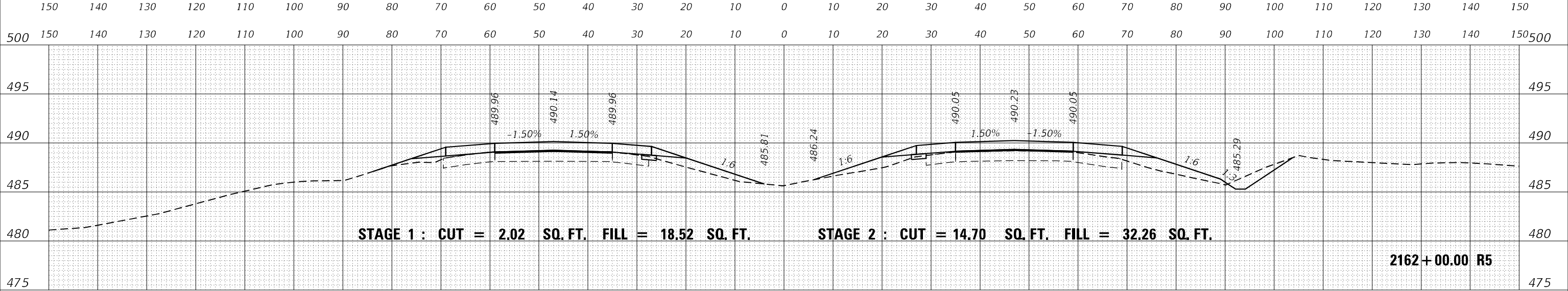
F.A.I. RTE.	SECTION	COUNTY	TOTAL SHEETS	SHEET NO.
I-64	*	JEFFERSON	1052	763
			CONTRACT NO. 78604	
		ILLINOIS	FED. AID PROJECT	

* (41-6,41-6-1,41-7)RS-2;BSMART 2023

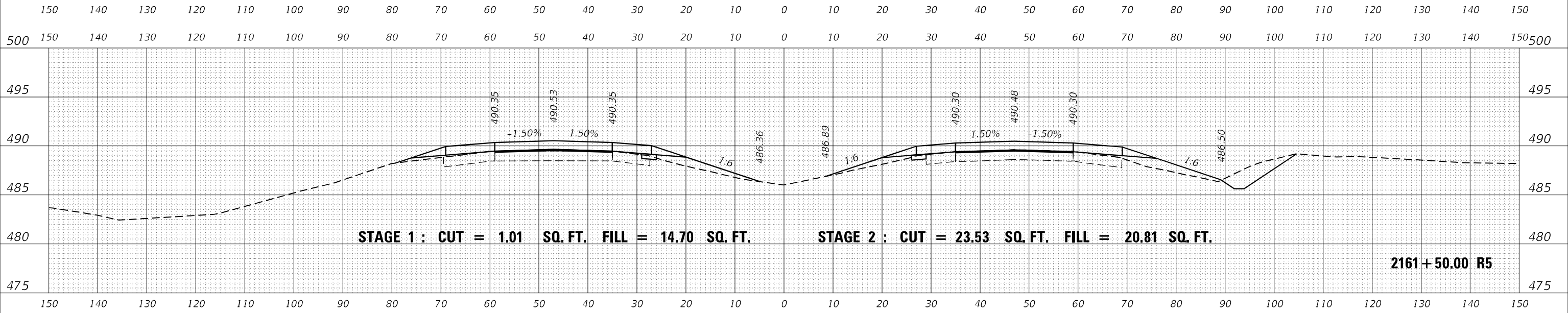
DATE	
BY	
FINAL SURVEY	SURVEYED
NOTE BOOK	PLOTTED
NO.	AREAS CHECKED



DATE	
BY	
ORIGINAL SURVEY	SURVEYED
NOTE BOOK	PLOTTED
NO.	AREAS CHECKED



DATE	
BY	
ORIGINAL SURVEY	SURVEYED
NOTE BOOK	PLOTTED
NO.	AREAS CHECKED



USER NAME = dhawes	DESIGNED -	REVISED -
	DRAWN -	REVISED -
PLOT SCALE = 20,0000 * / in.	CHECKED -	REVISED -
PLOT DATE = 11/4/2022 - 9:33:44 AM	DATE -	REVISED -

**STATE OF ILLINOIS
DEPARTMENT OF TRANSPORTATION**

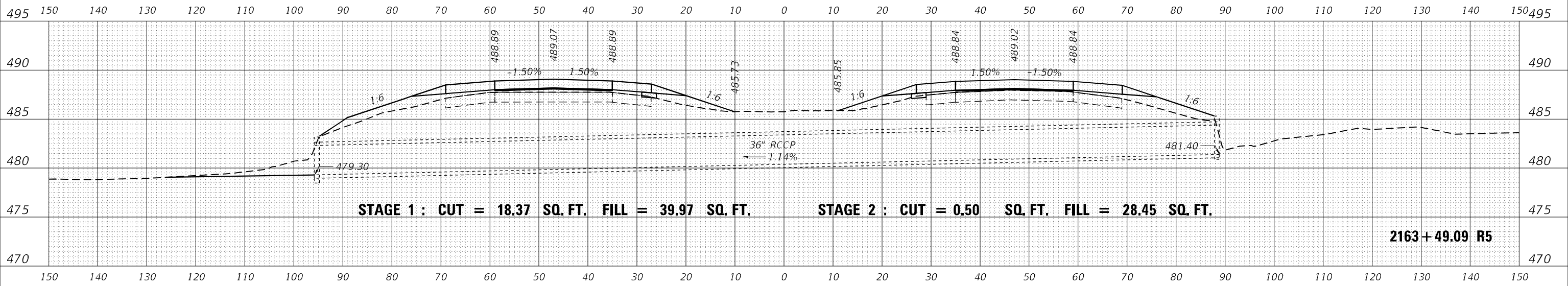
**INTERSTATE 64
CROSS SECTIONS**

SCALE: 50 SHEET OF SHEETS STA. 2161+50.00 R5 TO STA. 2162+50.00 R5

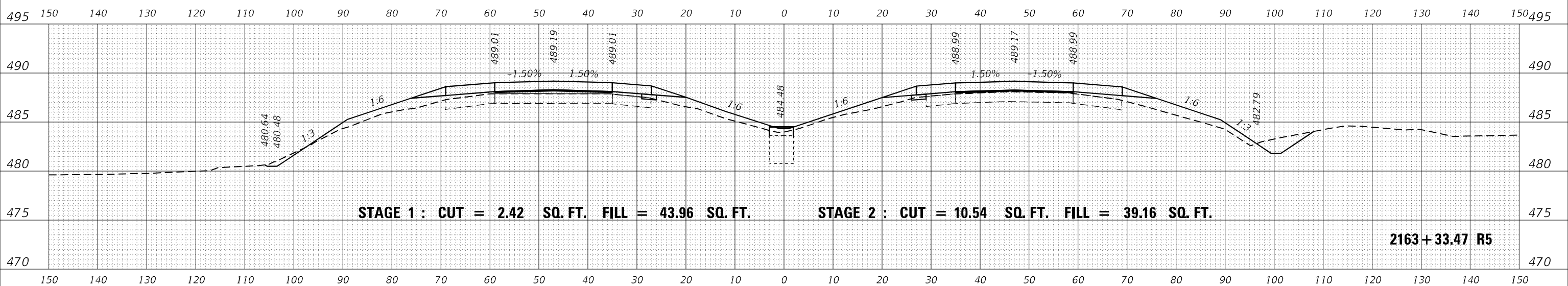
F.A.I. RTE.	SECTION	COUNTY	TOTAL SHEETS	SHEET NO.
I-64	*	JEFFERSON	1052	764
				CONTRACT NO. 78604

MODEL: D:\mfr\...
FILE NAME: ...029\6604-R5-XS-2.dgn

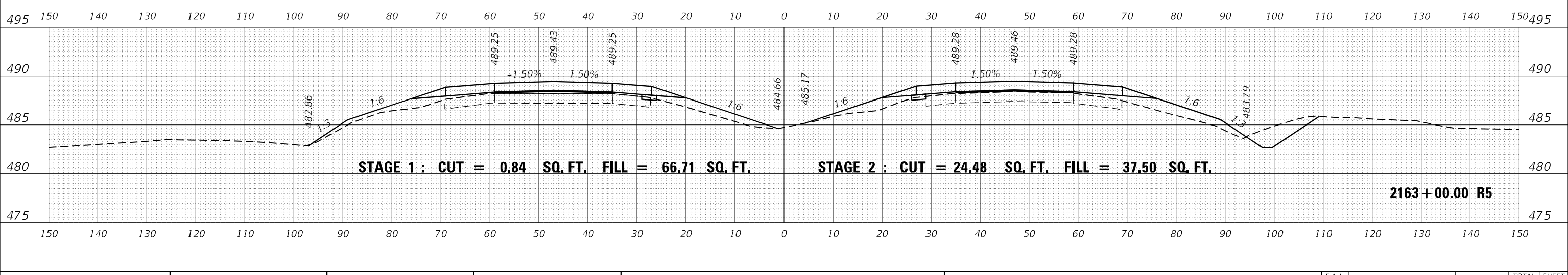
DATE	
BY	
FINAL SURVEY	SURVEYED
NOTE BOOK	PLOTTED
NO.	AREAS CHECKED



DATE	
BY	
ORIGINAL SURVEY	SURVEYED
NOTE BOOK	PLOTTED
NO.	AREAS CHECKED



DATE	
BY	
ORIGINAL SURVEY	SURVEYED
NOTE BOOK	PLOTTED
NO.	AREAS CHECKED



MODEL: D:\mfr\it
FILE NAME: ...029\8604-RS-R5-2.dgn

USER NAME = dhawes	DESIGNED -	REVISED -
PLOT SCALE = 20,0000 * / in.	DRAWN -	REVISED -
PLOT DATE = 11/4/2022 - 9:33:44 AM	CHECKED -	REVISED -
	DATE -	REVISED -

**STATE OF ILLINOIS
DEPARTMENT OF TRANSPORTATION**

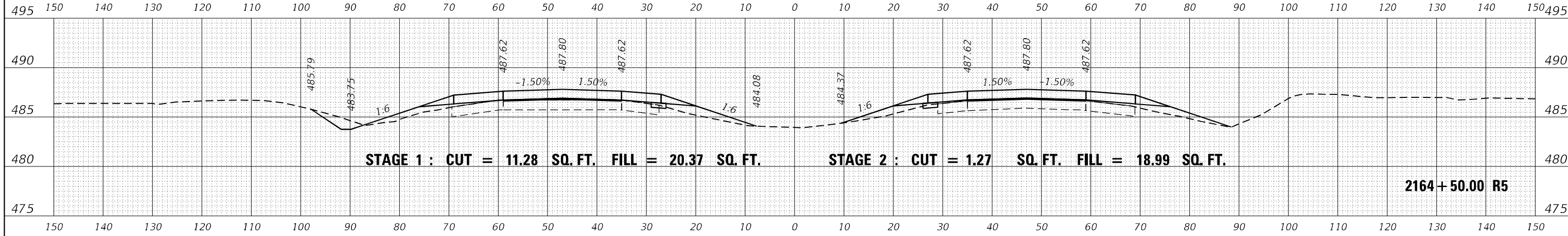
**INTERSTATE 64
CROSS SECTIONS**

SCALE: 50 SHEET OF SHEETS STA. 2163+00.00 R5 TO STA. 2163+49.09 R5

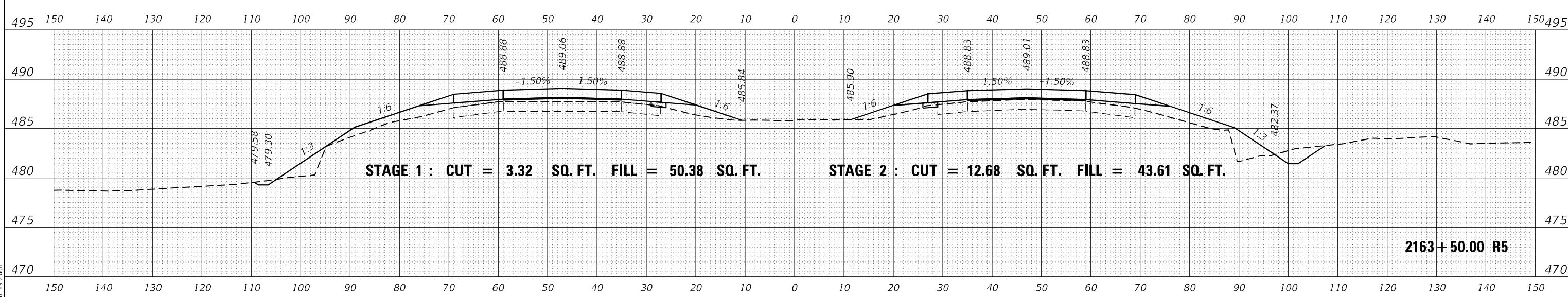
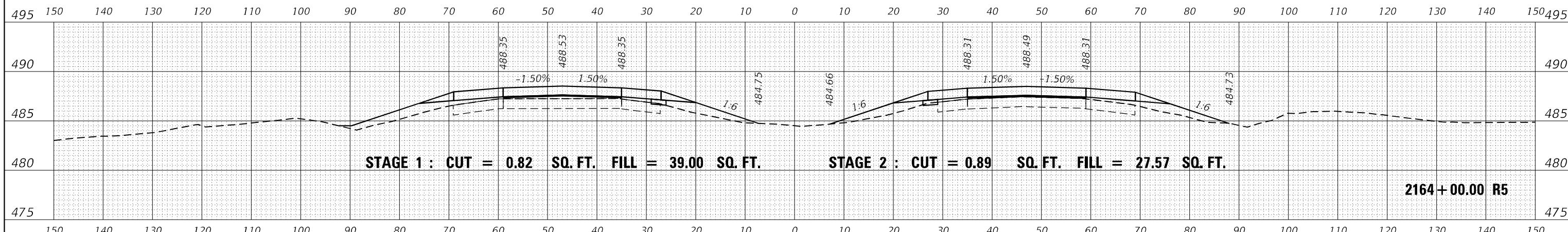
F.A.I. RTE.	SECTION	COUNTY	TOTAL SHEETS	SHEET NO.
I-64	*	JEFFERSON	1052	785
CONTRACT NO. 78604				

(41-6,41-6-1,41-7)RS-2;BSMART 2023

DATE	
BY	
FINAL SURVEY	SURVEYED
NOTE BOOK	PLOTTED
NO.	AREAS CHECKED



DATE	
BY	
ORIGINAL SURVEY	SURVEYED
NOTE BOOK	PLOTTED
NO.	AREAS CHECKED



MODEL: D:\mfr\...
FILE NAME: ...029\8604-R5-XS-2.dgn

USER NAME = dhawes	DESIGNED -	REVISED -
PLOT SCALE = 20,000 * / in.	DRAWN -	REVISED -
PLOT DATE = 11/4/2022 - 9:33:45 AM	CHECKED -	REVISED -
	DATE -	REVISED -

**STATE OF ILLINOIS
DEPARTMENT OF TRANSPORTATION**

**INTERSTATE 64
CROSS SECTIONS**

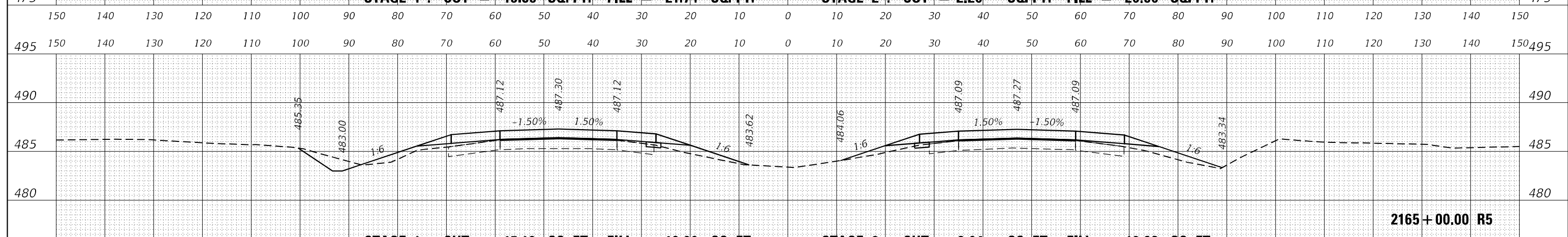
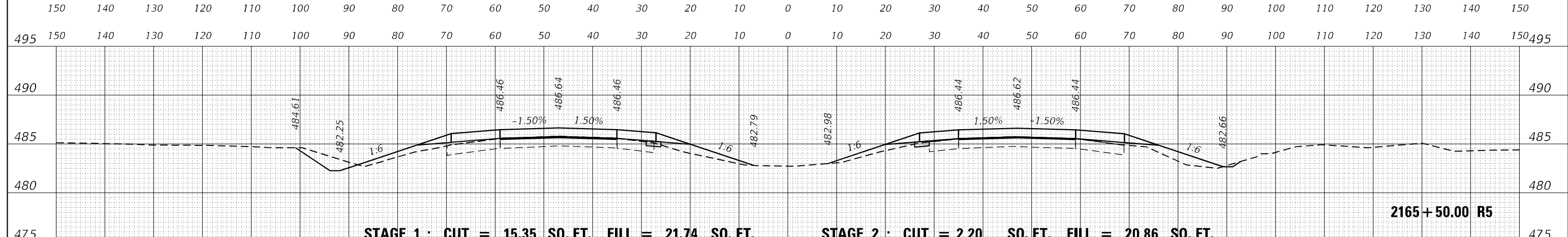
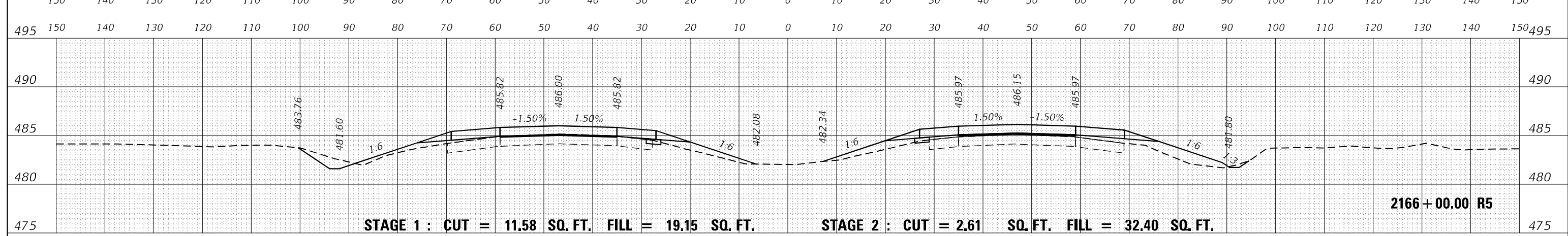
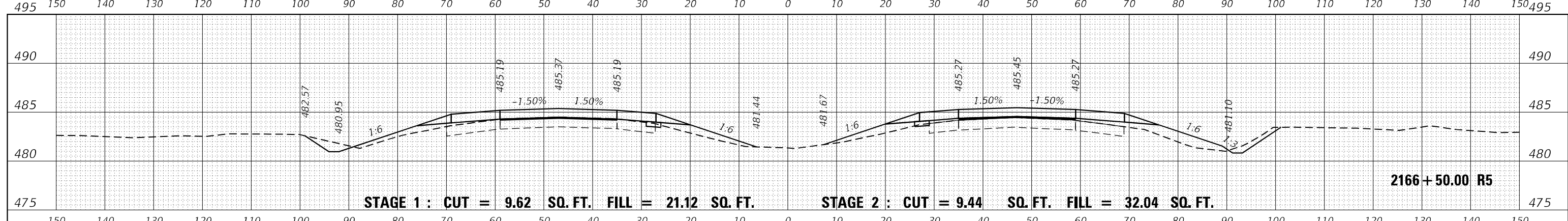
SCALE: 50 SHEET OF SHEETS STA. 2163+50.00 R5 TO STA. 2164+50.00 R5

F.A.I. RTE.	SECTION	COUNTY	TOTAL SHEETS	SHEET NO.
I-64	*	JEFFERSON	1052	766
CONTRACT NO. 78604				

(41-6,41-6-1,41-7)RS-2;BSMART 2023

DATE	
BY	
FINAL SURVEY	SURVEYED
NOTE BOOK	PLOTTED
NO.	TEMPLATE
	AREAS
	CHECKED

DATE	
BY	
ORIGINAL SURVEY	SURVEYED
NOTE BOOK	PLOTTED
NO.	TEMPLATE
	AREAS
	CHECKED



MODEL: D:\mfr\it
FILE NAME: ...029\8604-R5-R5-2.dgn

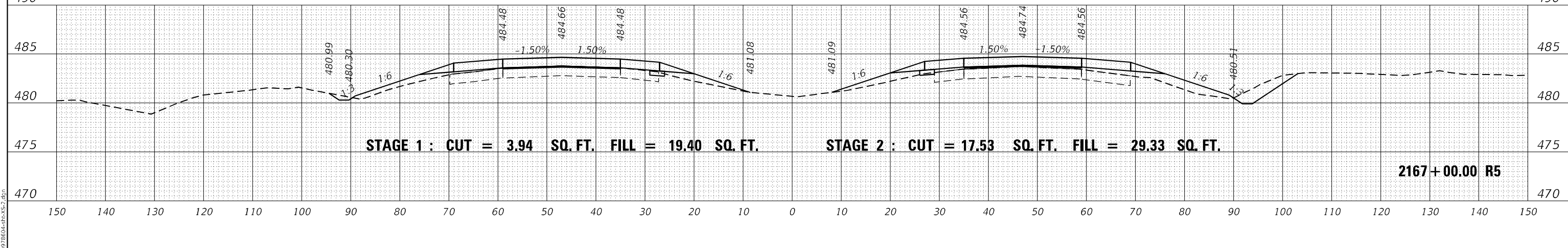
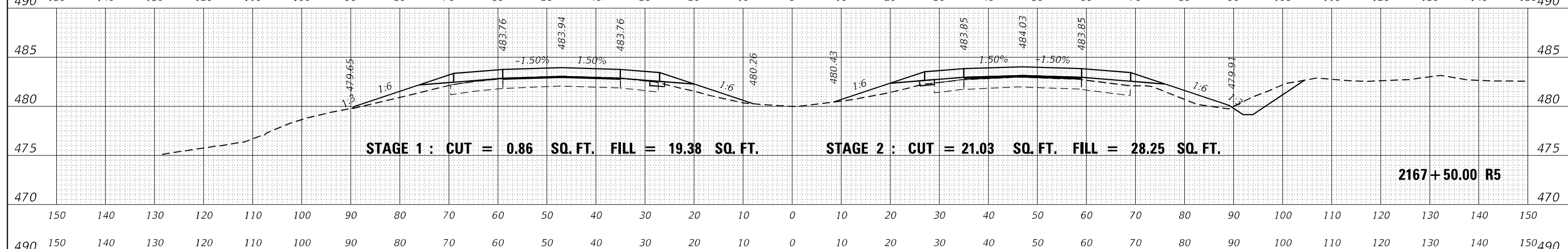
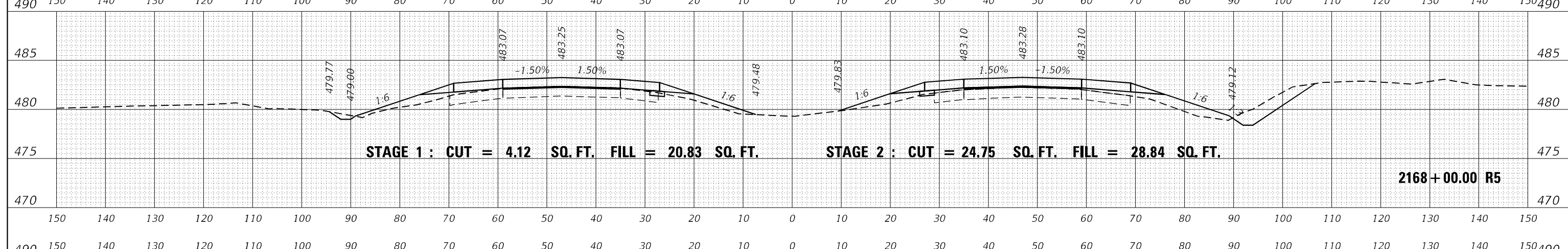
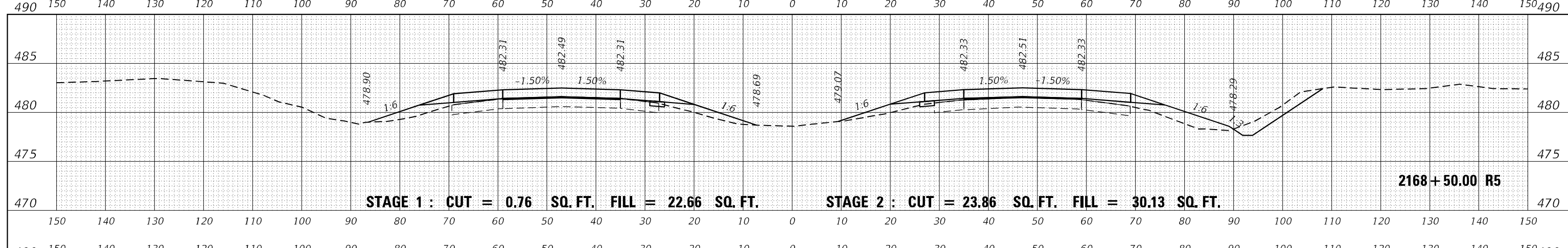
USER NAME = dhawes	DESIGNED -	REVISED -
	DRAWN -	REVISED -
PLOT SCALE = 20,0000 * / in.	CHECKED -	REVISED -
PLOT DATE = 11/4/2022 - 9:33:45 AM	DATE -	REVISED -

**STATE OF ILLINOIS
DEPARTMENT OF TRANSPORTATION**

**INTERSTATE 64
CROSS SECTIONS**

SCALE: 50	SHEET	OF	SHEETS	STA. 2165+00.00 R5 TO STA. 2166+50.00 R5	F.A.I. RTE. I-64	SECTION *	COUNTY JEFFERSON	TOTAL SHEETS 1052	SHEET NO. 767
								CONTRACT NO. 78604	
								ILLINOIS FED. AID PROJECT	

* (41-6,41-6-1,41-7)RS-2;BSMART 2023



DATE	
BY	
FINAL SURVEY	SURVEYED
NOTE BOOK	PLOTTED
NO.	TEMPLATE
	AREAS
	CHECKED

DATE	
BY	
ORIGINAL SURVEY	SURVEYED
NOTE BOOK	PLOTTED
NO.	TEMPLATE
	AREAS
	CHECKED

MODEL: D:\mfr\h
FILE NAME: ...029\6604-R5-S-2.dgn

USER NAME = dhawes	DESIGNED -	REVISED -
PLOT SCALE = 20,0000' / in.	DRAWN -	REVISED -
PLOT DATE = 11/4/2022 - 9:33:46 AM	CHECKED -	REVISED -
	DATE -	REVISED -

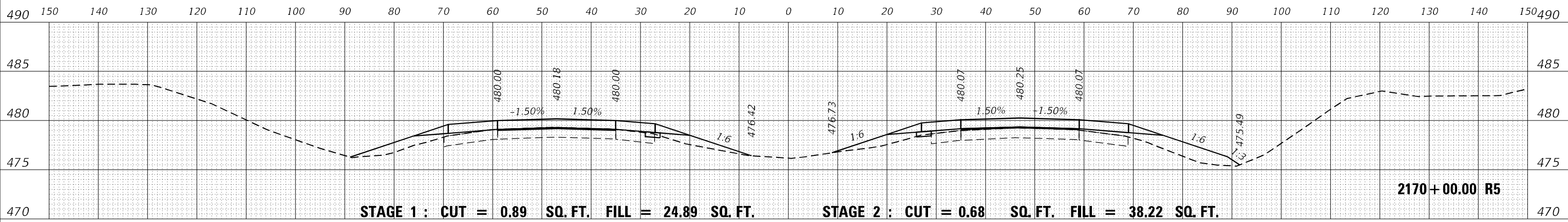
**STATE OF ILLINOIS
DEPARTMENT OF TRANSPORTATION**

**INTERSTATE 64
CROSS SECTIONS**

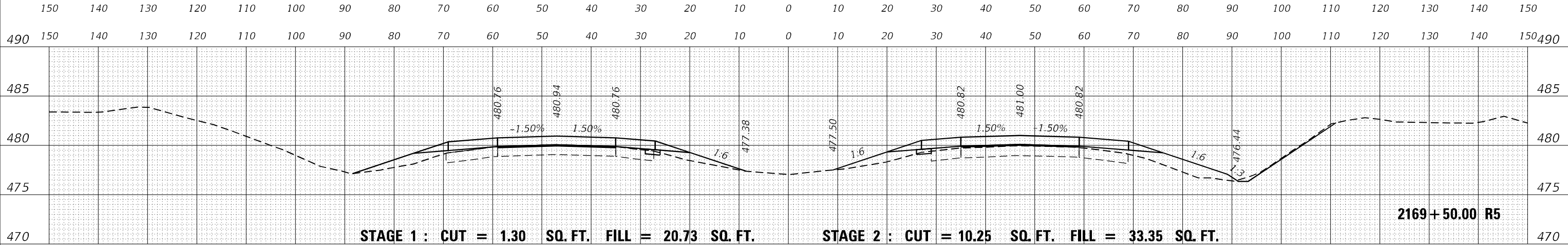
SCALE: 50 SHEET OF SHEETS STA. 2167+00.00 R5 TO STA. 2168+50.00 R5

F.A.I. RTE.	SECTION	COUNTY	TOTAL SHEETS	SHEET NO.
I-64	*	JEFFERSON	1052	768
			CONTRACT NO. 78604	

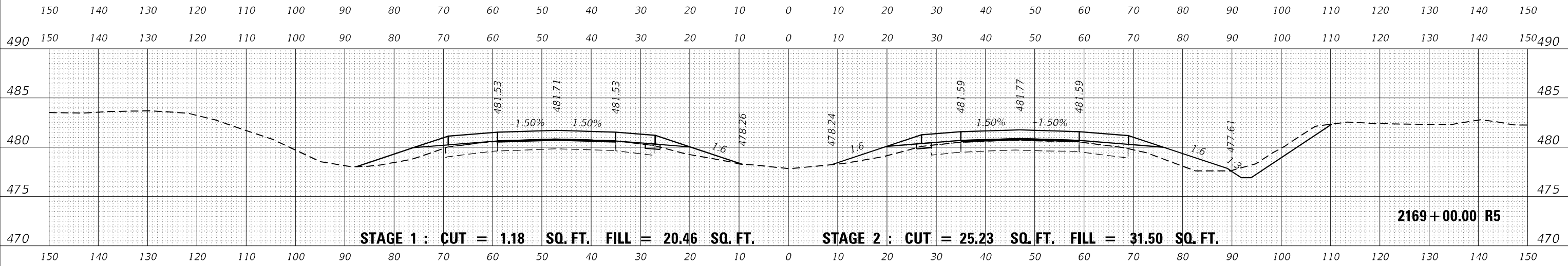
DATE	
BY	
FINAL SURVEY	SURVEYED
NOTE BOOK	PLOTTED
NO.	TEMPLATE
	AREAS CHECKED



DATE	
BY	
ORIGINAL SURVEY	SURVEYED
NOTE BOOK	PLOTTED
NO.	TEMPLATE
	AREAS CHECKED



DATE	
BY	
ORIGINAL SURVEY	SURVEYED
NOTE BOOK	PLOTTED
NO.	TEMPLATE
	AREAS CHECKED



MODEL: D:\mfr\...
FILE NAME: ...

USER NAME = dhawes	DESIGNED -	REVISED -
	DRAWN -	REVISED -
PLOT SCALE = 20,0000' / in.	CHECKED -	REVISED -
PLOT DATE = 11/4/2022 - 9:33:46 AM	DATE -	REVISED -

**STATE OF ILLINOIS
DEPARTMENT OF TRANSPORTATION**

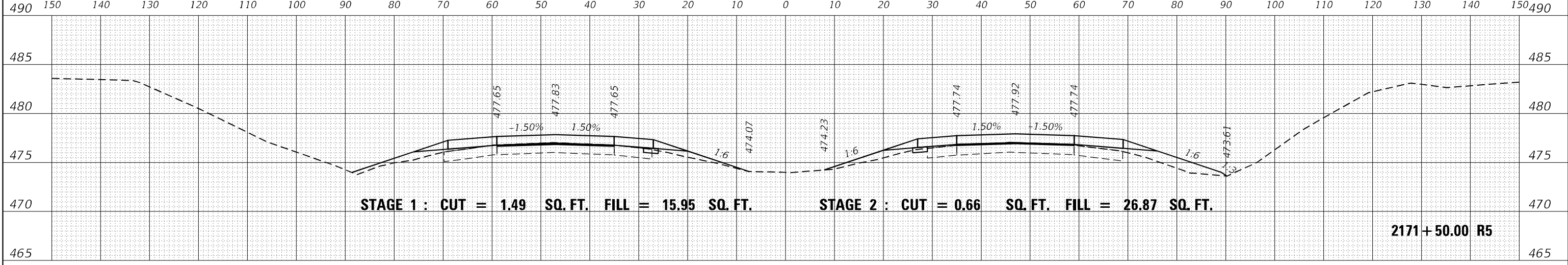
**INTERSTATE 64
CROSS SECTIONS**

SCALE: 50 SHEET OF SHEETS STA. 2169+00.00 R5 TO STA. 2170+00.00 R5

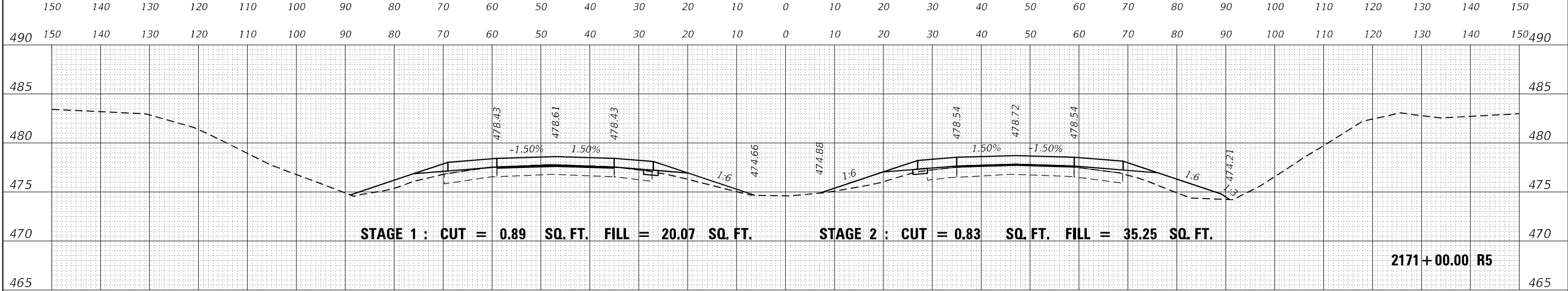
F.A.I. RTE.	SECTION	COUNTY	TOTAL SHEETS	SHEET NO.
I-64	*	JEFFERSON	1052	789
				CONTRACT NO. 78604

* (41-6,41-6-1,41-7)RS-2;BSMART 2023

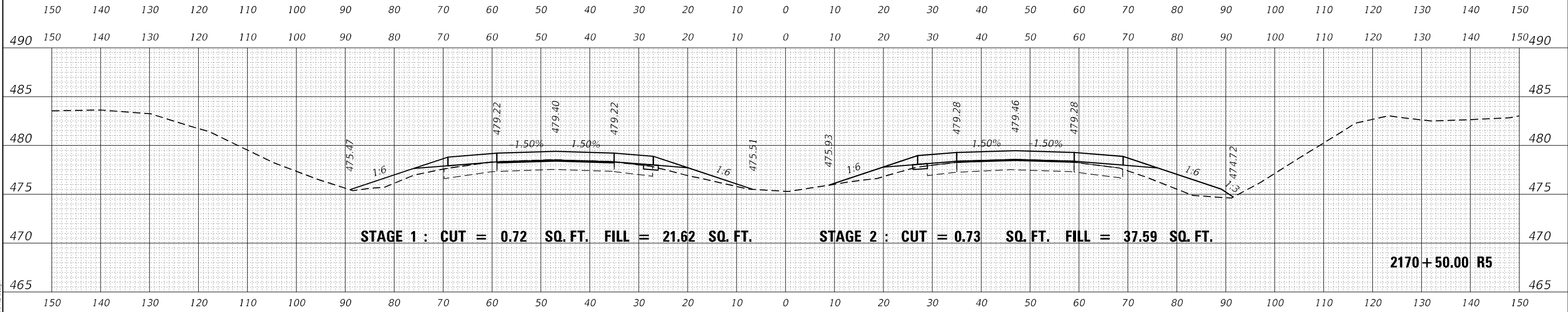
DATE	
BY	
FINAL SURVEY	SURVEYED
NOTE BOOK	PLOTTED
NO.	TEMPLATE
	AREAS
	CHECKED



DATE	
BY	
ORIGINAL SURVEY	SURVEYED
NOTE BOOK	PLOTTED
NO.	TEMPLATE
	AREAS
	CHECKED



DATE	
BY	
ORIGINAL SURVEY	SURVEYED
NOTE BOOK	PLOTTED
NO.	TEMPLATE
	AREAS
	CHECKED



MODEL: D:\mfr\h
FILE NAME: ...029\8604-R5-XS-2.dgn

USER NAME = dhawes	DESIGNED -	REVISED -
	DRAWN -	REVISED -
PLOT SCALE = 20,0000 * / in.	CHECKED -	REVISED -
PLOT DATE = 11/4/2022 - 9:33:47 AM	DATE -	REVISED -

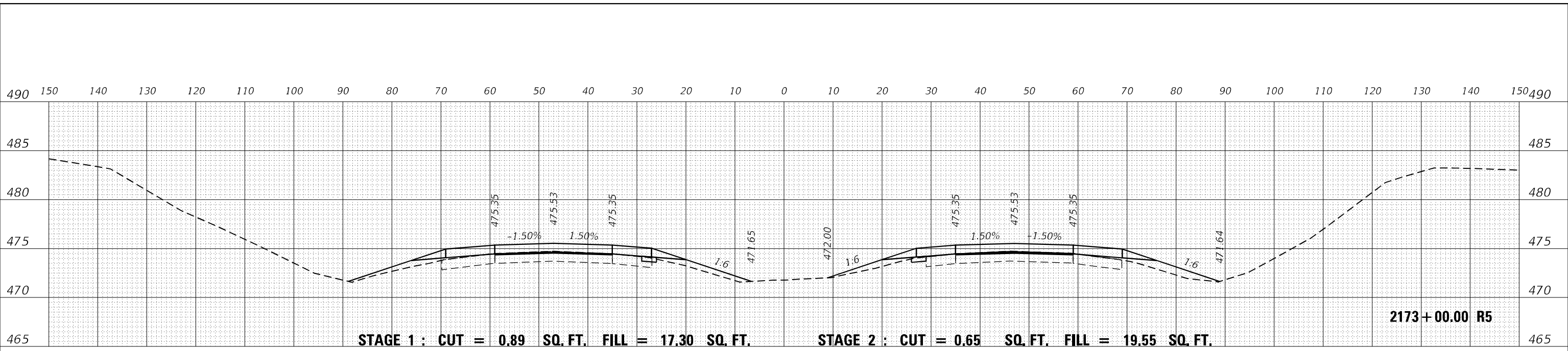
**STATE OF ILLINOIS
DEPARTMENT OF TRANSPORTATION**

**INTERSTATE 64
CROSS SECTIONS**

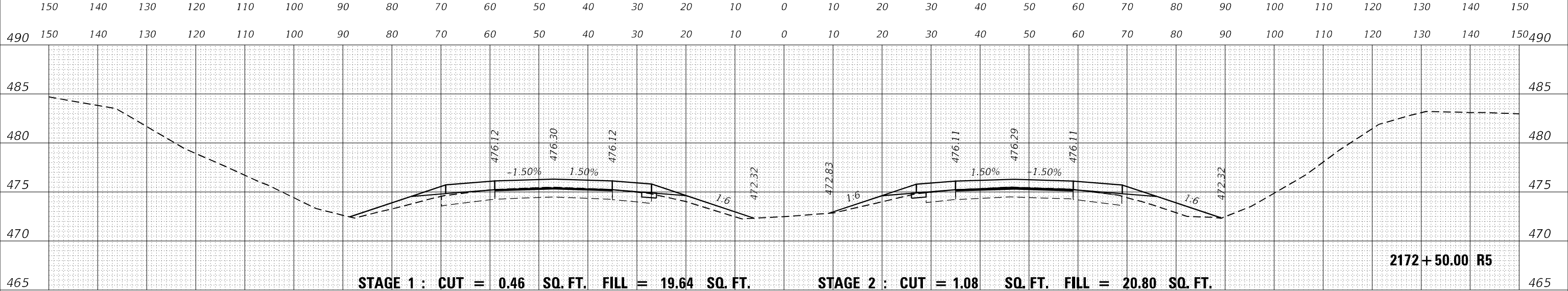
SCALE: 50 SHEET OF SHEETS STA. 2170+50.00 R5 TO STA. 2171+50.00 R5

F.A.I. RTE.	SECTION	COUNTY	TOTAL SHEETS	SHEET NO.
I-64	*	JEFFERSON	1052	770
			CONTRACT NO. 78604	

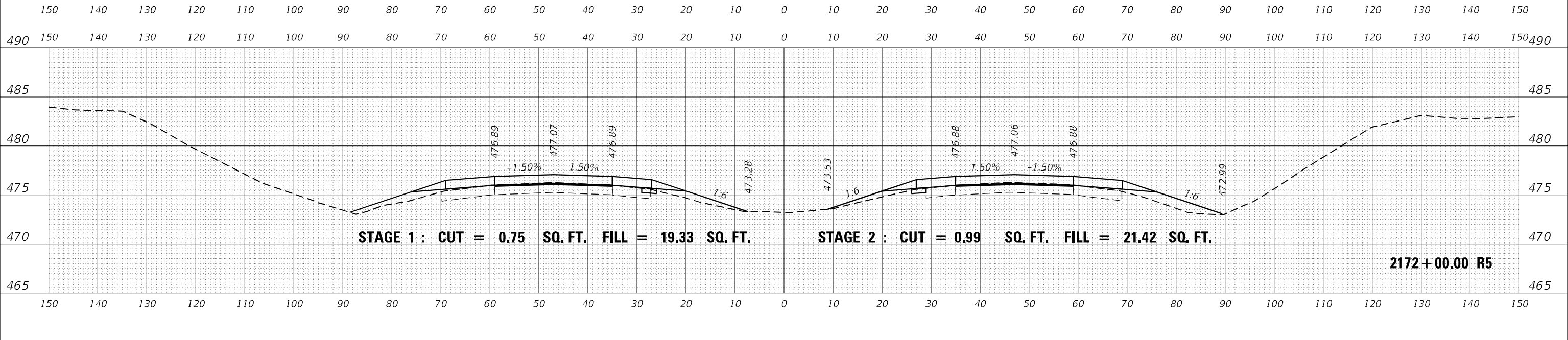
DATE	
BY	
FINAL SURVEY	SURVEYED
NOTE BOOK	PLOTTED
NO.	TEMPLATE
	AREAS
	CHECKED



DATE	
BY	
ORIGINAL SURVEY	SURVEYED
NOTE BOOK	PLOTTED
NO.	TEMPLATE
	AREAS
	CHECKED



DATE	
BY	
ORIGINAL SURVEY	SURVEYED
NOTE BOOK	PLOTTED
NO.	TEMPLATE
	AREAS
	CHECKED



MODEL: D:\mfr\it
FILE NAME: ...029\8604-R5-RS-2.dgn

USER NAME = dhawes	DESIGNED -	REVISED -
PLOT SCALE = 20,0000 * / in.	DRAWN -	REVISED -
PLOT DATE = 11/4/2022 - 9:33:47 AM	CHECKED -	REVISED -
	DATE -	REVISED -

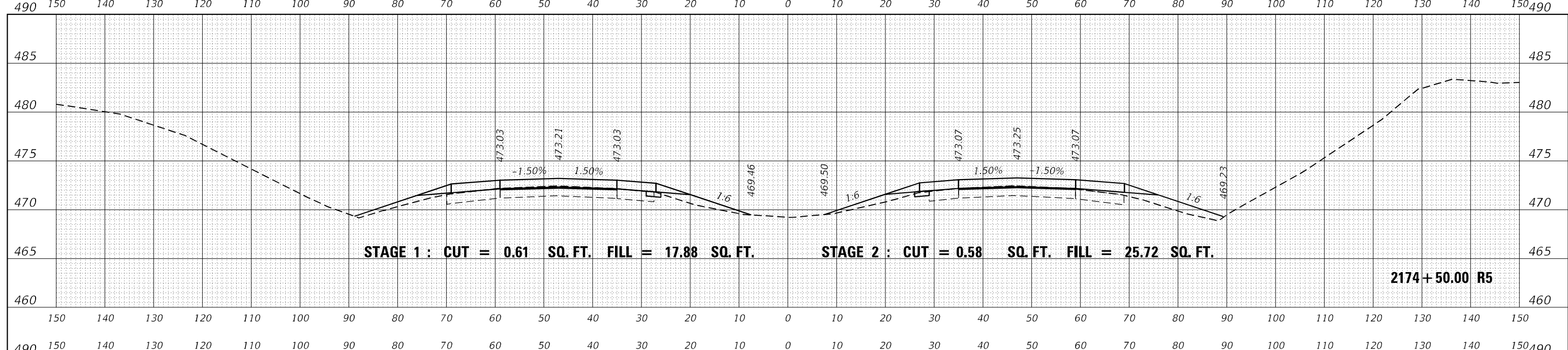
**STATE OF ILLINOIS
DEPARTMENT OF TRANSPORTATION**

**INTERSTATE 64
CROSS SECTIONS**

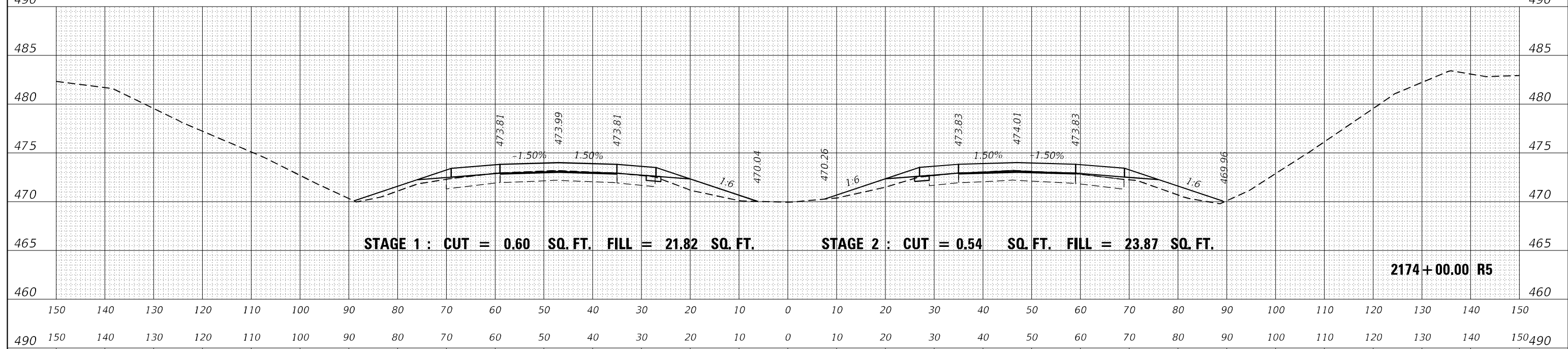
SCALE: 50 SHEET OF SHEETS STA. 2172+00.00 R5 TO STA. 2173+00.00 R5

F.A.I. RTE.	SECTION	COUNTY	TOTAL SHEETS	SHEET NO.
I-64	*	JEFFERSON	1052	771
CONTRACT NO. 78604				

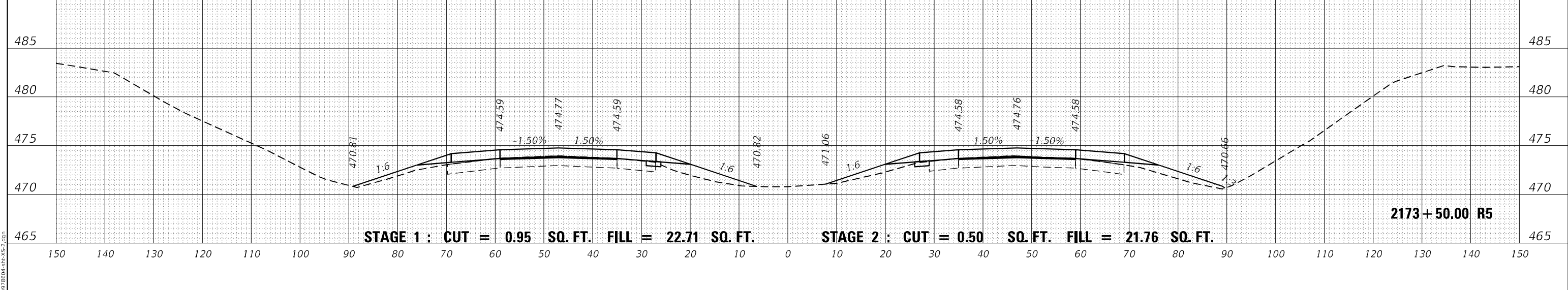
DATE	
BY	
FINAL SURVEY	SURVEYED
NOTE BOOK	PLOTTED
NO.	TEMPLATE
	AREAS
	CHECKED



DATE	
BY	
ORIGINAL SURVEY	SURVEYED
NOTE BOOK	PLOTTED
NO.	TEMPLATE
	AREAS
	CHECKED



MODEL: D:\mfr\it
FILE NAME: ...09\8604-RS-VS-2.dgn



USER NAME = dhawes	DESIGNED -	REVISED -
	DRAWN -	REVISED -
PLOT SCALE = 20,0000' / in.	CHECKED -	REVISED -
PLOT DATE = 11/4/2022 - 9:33:48 AM	DATE -	REVISED -

**STATE OF ILLINOIS
DEPARTMENT OF TRANSPORTATION**

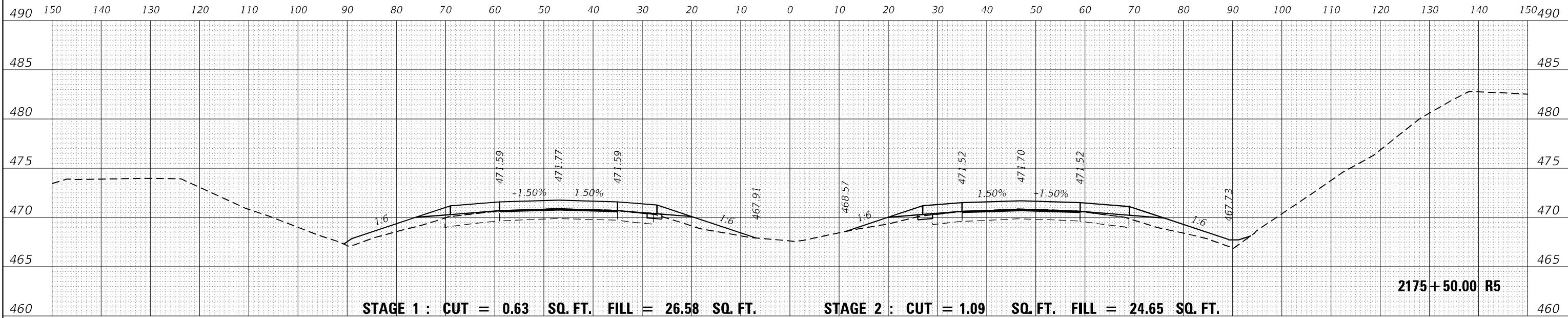
**INTERSTATE 64
CROSS SECTIONS**

SCALE: 50 SHEET OF SHEETS STA. 2173+50.00 R5 TO STA. 2174+50.00 R5

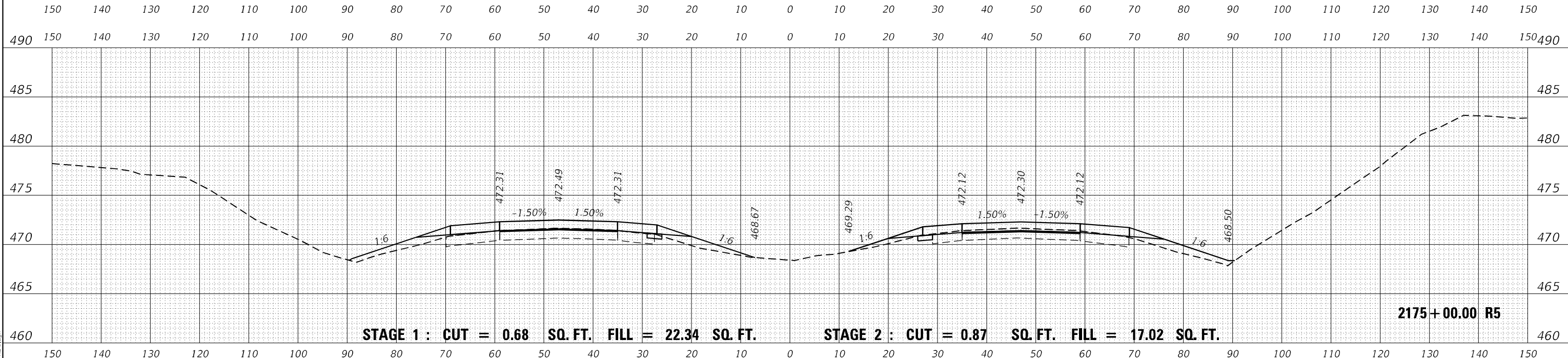
F.A.I. RTE.	SECTION	COUNTY	TOTAL SHEETS	SHEET NO.
I-64	*	JEFFERSON	1052	772
			CONTRACT NO. 78604	

(41-6,41-6-1,41-7)RS-2;BSMART 2023

DATE	
BY	
SURVEYED	
PLOTTED	
TEMPLATE	
NOTE BOOK	
AREAS CHECKED	
NO.	



DATE	
BY	
SURVEYED	
PLOTTED	
TEMPLATE	
NOTE BOOK	
AREAS CHECKED	
NO.	



MODEL: D:\mfr\h
FILE NAME: ...029\8604-R5-XS-2.dgn

USER NAME = dhawes	DESIGNED -	REVISED -
	DRAWN -	REVISED -
PLOT SCALE = 20,0000 * / in.	CHECKED -	REVISED -
PLOT DATE = 11/4/2022 - 9:33:48 AM	DATE -	REVISED -

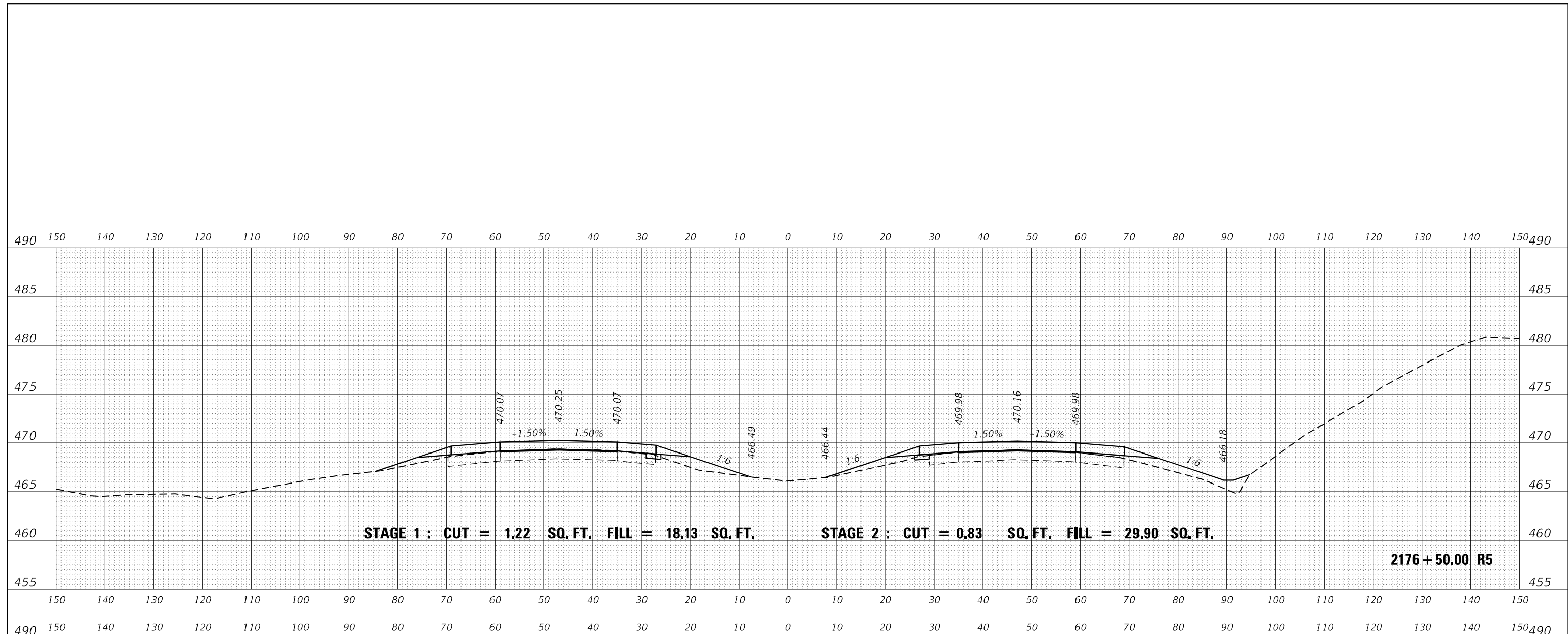
**STATE OF ILLINOIS
DEPARTMENT OF TRANSPORTATION**

**INTERSTATE 64
CROSS SECTIONS**

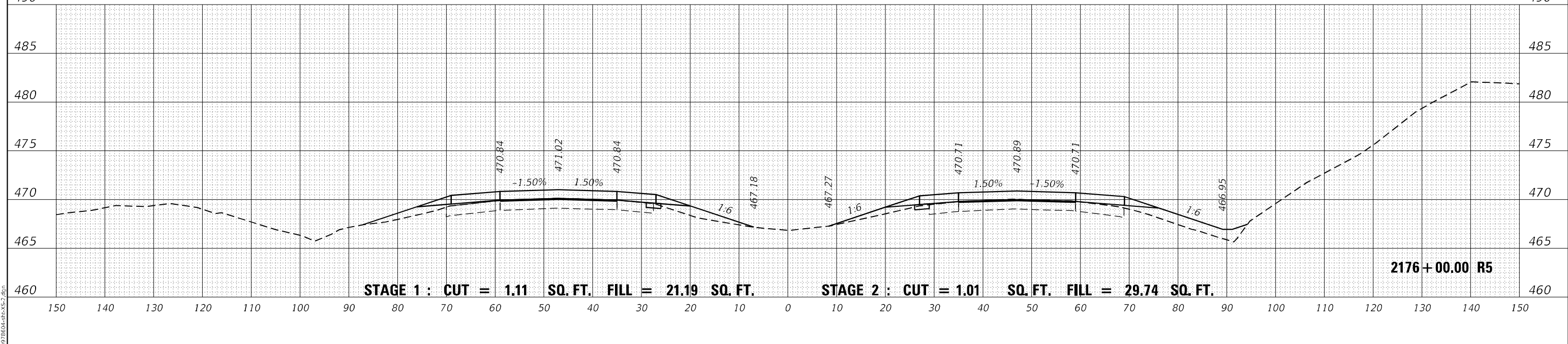
SCALE: 50 SHEET OF SHEETS STA. 2175+00.00 R5 TO STA. 2175+50.00 R5

F.A.I. RTE.	SECTION	COUNTY	TOTAL SHEETS	SHEET NO.
I-64	*	JEFFERSON	1052	773
CONTRACT NO. 78604				

DATE	
BY	
FINAL SURVEY NO.	
SURVEYED	
PLOTTED	
TEMPLATE	
AREAS	
CHECKED	



DATE	
BY	
ORIGINAL SURVEY NO.	
SURVEYED	
PLOTTED	
TEMPLATE	
AREAS	
CHECKED	



MODEL: D:\mfr\it
FILE NAME: ...02\78604-R5-R5-2.dwg

USER NAME = dhawes	DESIGNED -	REVISED -
	DRAWN -	REVISED -
PLOT SCALE = 20,0000 * / in.	CHECKED -	REVISED -
PLOT DATE = 11/4/2022 - 9:33:49 AM	DATE -	REVISED -

**STATE OF ILLINOIS
DEPARTMENT OF TRANSPORTATION**

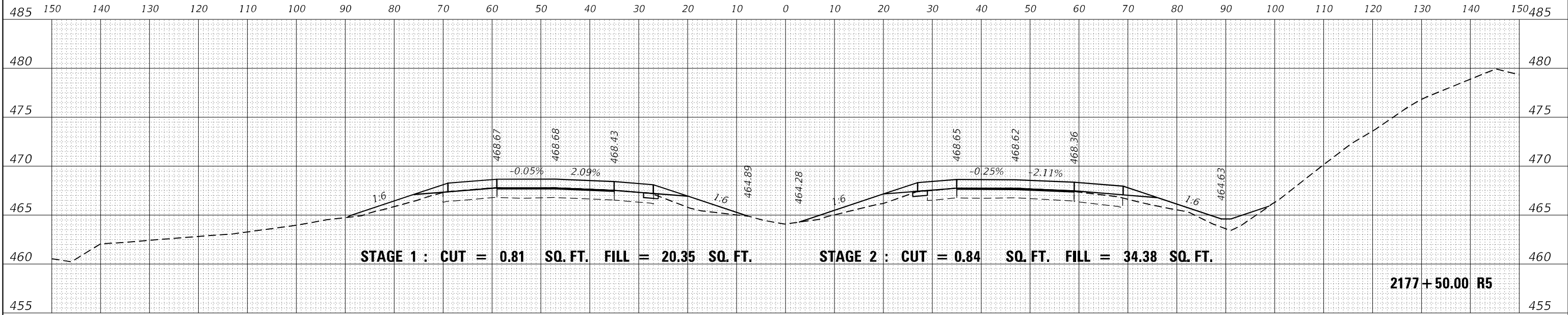
**INTERSTATE 64
CROSS SECTIONS**

SCALE: 50 SHEET OF SHEETS STA. 2176+00.00 R5 TO STA. 2176+50.00 R5

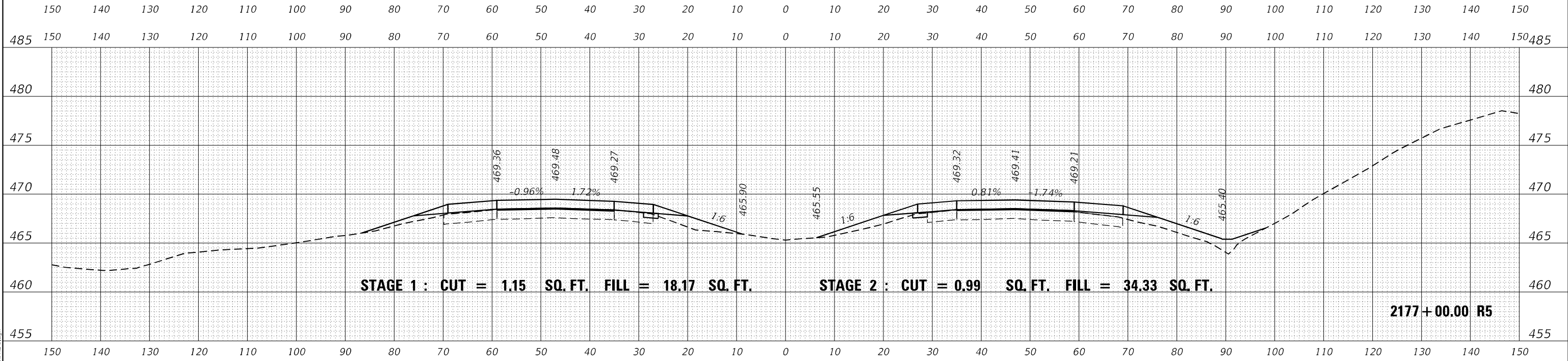
F.A.I. RTE.	SECTION	COUNTY	TOTAL SHEETS	SHEET NO.
I-64	*	JEFFERSON	1052	774
			CONTRACT NO. 78604	

* (41-6,41-6-1,41-7)RS-2;BSMART 2023

DATE	
BY	
SURVEYED	
PLOTTED	
TEMPLATE	
AREAS	
AREAS CHECKED	
FINAL SURVEY NO.	
NOTE BOOK NO.	



DATE	
BY	
SURVEYED	
PLOTTED	
TEMPLATE	
AREAS	
AREAS CHECKED	
ORIGINAL SURVEY NO.	
NOTE BOOK NO.	



MODEL: D:\mfr\it
FILE NAME: ...029\8604-R5-R5-2.dgn

USER NAME = dhawes	DESIGNED -	REVISED -
PLOT SCALE = 20,0000 * / in.	DRAWN -	REVISED -
PLOT DATE = 11/4/2022 - 9:33:50 AM	CHECKED -	REVISED -
	DATE -	REVISED -

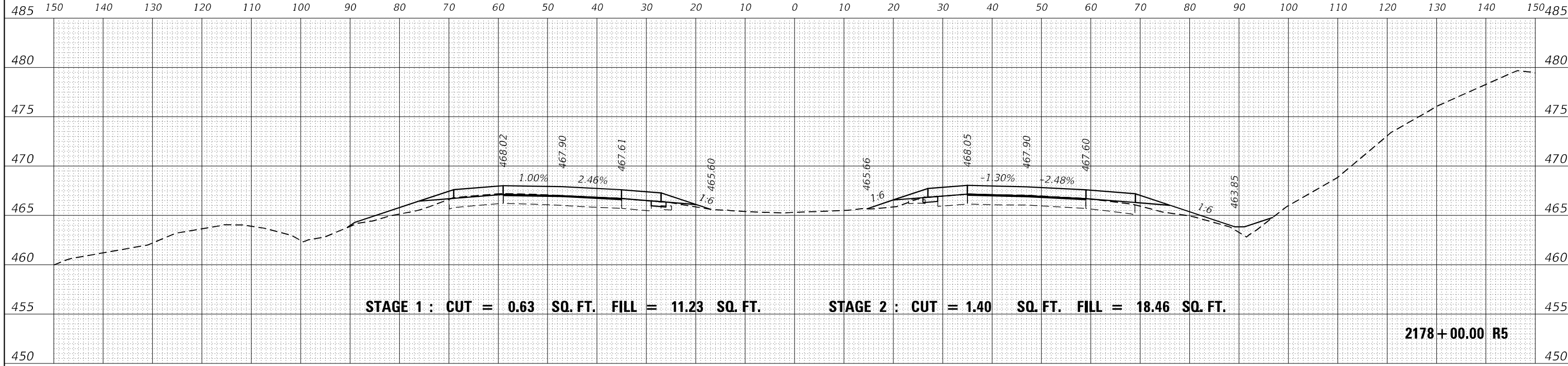
**STATE OF ILLINOIS
DEPARTMENT OF TRANSPORTATION**

**INTERSTATE 64
CROSS SECTIONS**

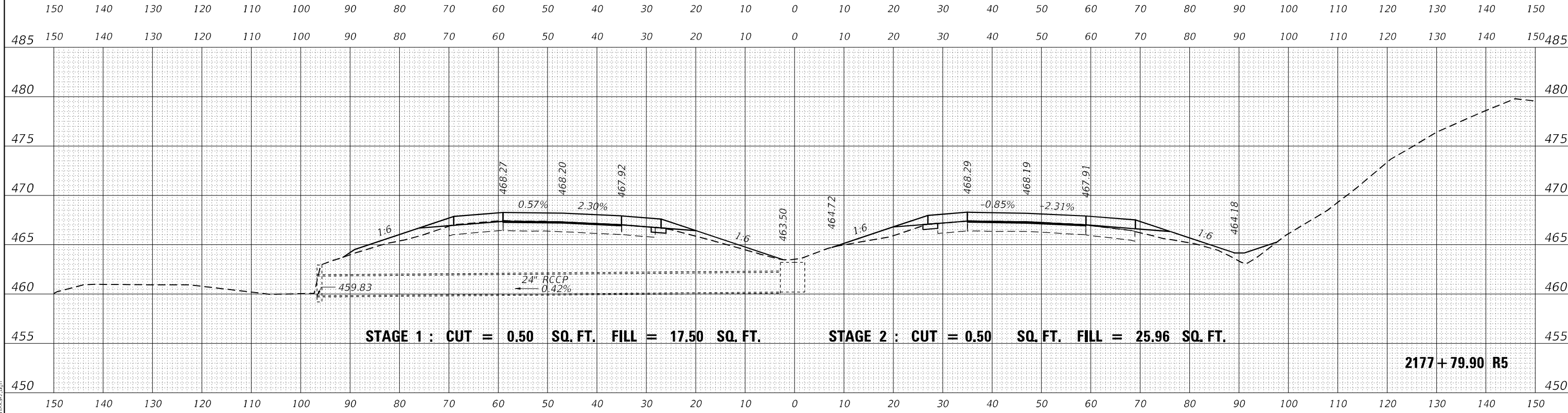
SCALE: 50 SHEET OF SHEETS STA. 2177+00.00 R5 TO STA. 2177+50.00 R5

F.A.I. RTE.	SECTION	COUNTY	TOTAL SHEETS	SHEET NO.
I-64	*	JEFFERSON	1052	775
				CONTRACT NO. 78604

DATE	
BY	
FINAL SURVEY	SURVEYED
NOTE BOOK	PLOTTED
NO.	TEMPLATE
	AREAS
	CHECKED



DATE	
BY	
ORIGINAL SURVEY	SURVEYED
NOTE BOOK	PLOTTED
NO.	TEMPLATE
	AREAS
	CHECKED



MODEL: D:\mfr\...
FILE NAME: ...

USER NAME = dhawes	DESIGNED -	REVISED -
PLOT SCALE = 20,000 * / in.	DRAWN -	REVISED -
PLOT DATE = 11/4/2022 - 9:33:50 AM	CHECKED -	REVISED -
	DATE -	REVISED -

**STATE OF ILLINOIS
DEPARTMENT OF TRANSPORTATION**

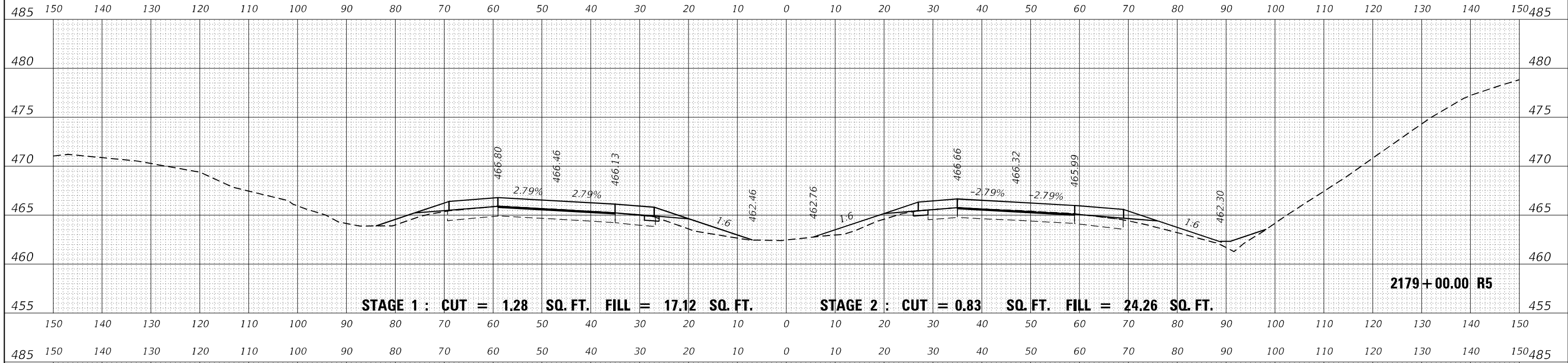
**INTERSTATE 64
CROSS SECTIONS**

SCALE: 50 SHEET OF SHEETS STA. 2177+79.90 R5 TO STA. 2178+00.00 R5

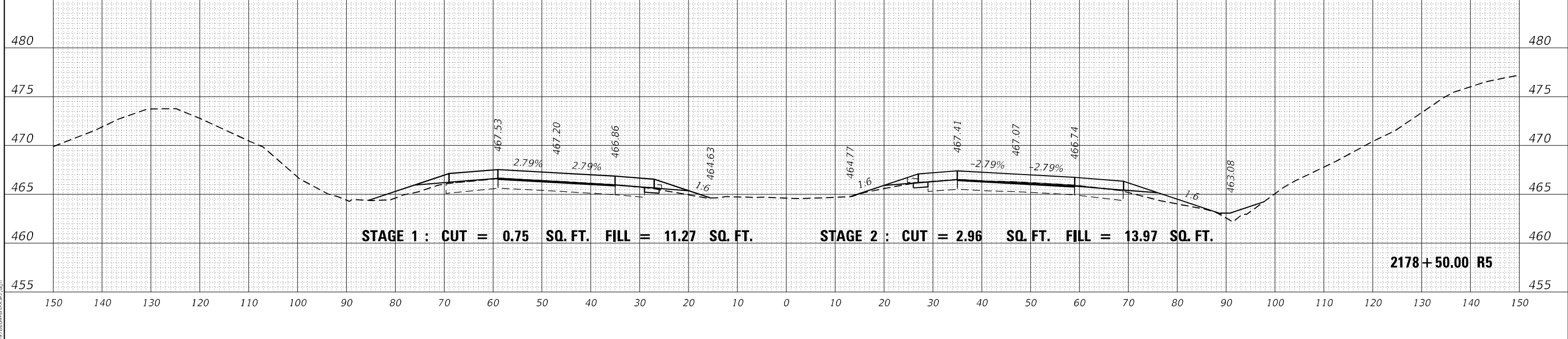
F.A.I. RTE.	SECTION	COUNTY	TOTAL SHEETS	SHEET NO.
I-64	*	JEFFERSON	1052	776
CONTRACT NO. 78604				

(41-6,41-6-1,41-7)RS-2;BSMART 2023

FINAL SURVEY NO.	SURVEYED	DATE
NOTE BOOK	PLOTTED	
AREAS CHECKED	TEMPLATE	
	AREAS	
	CHECKED	



ORIGINAL SURVEY NO.	SURVEYED	DATE
NOTE BOOK	PLOTTED	
AREAS CHECKED	TEMPLATE	
	AREAS	
	CHECKED	



MODEL: D:\mfr\...
FILE NAME: ...02\78604-R5-RS-2.dgn

USER NAME = dhawes	DESIGNED -	REVISED -
PLOT SCALE = 20,0000 * / in.	DRAWN -	REVISED -
PLOT DATE = 11/4/2022 - 9:33:51 AM	CHECKED -	REVISED -
	DATE -	REVISED -

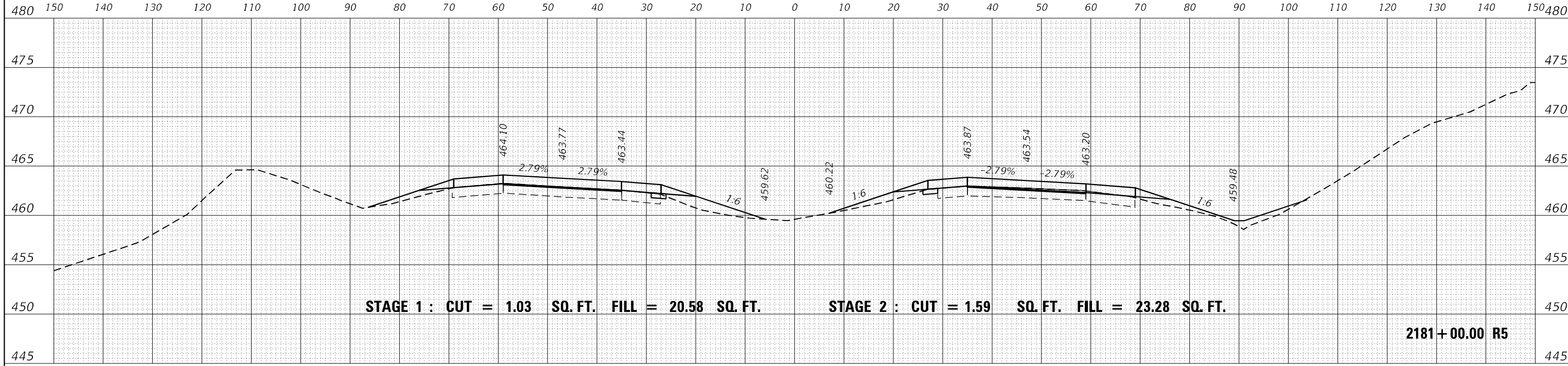
**STATE OF ILLINOIS
DEPARTMENT OF TRANSPORTATION**

INTERSTATE 64 CROSS SECTIONS	
SCALE: 50	SHEET OF SHEETS
STA. 2178+50.00 R5 TO STA. 2179+00.00 R5	

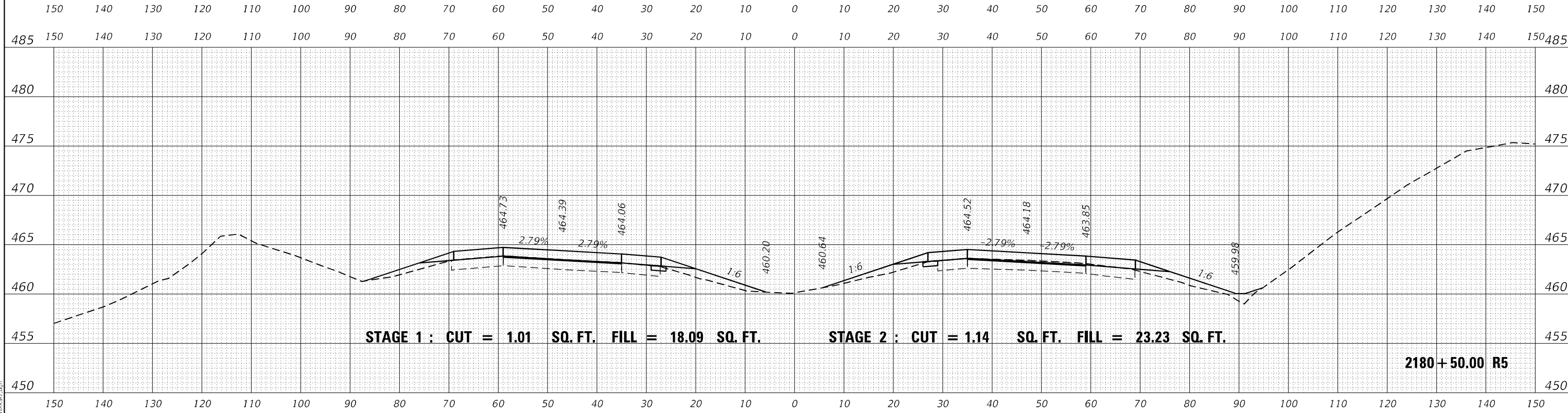
F.A.I. RTE.	SECTION	COUNTY	TOTAL SHEETS	SHEET NO.
I-64	*	JEFFERSON	1052	777
CONTRACT NO. 78604				
ILLINOIS FED. AID PROJECT				

(41-6,41-6-1,41-7)RS-2;BSMART 2023

DATE	
BY	
FINAL SURVEY	SURVEYED
NOTE BOOK	PLOTTED
NO.	TEMPLATE
	AREAS CHECKED



DATE	
BY	
ORIGINAL SURVEY	SURVEYED
NOTE BOOK	PLOTTED
NO.	TEMPLATE
	AREAS CHECKED



MODEL: D:\mfr\it
FILE NAME: ...029\8604-R5-XS-2.dgn

USER NAME = dhawes	DESIGNED -	REVISED -
	DRAWN -	REVISED -
PLOT SCALE = 20,0000 * / in.	CHECKED -	REVISED -
PLOT DATE = 11/4/2022 - 9:33:52 AM	DATE -	REVISED -

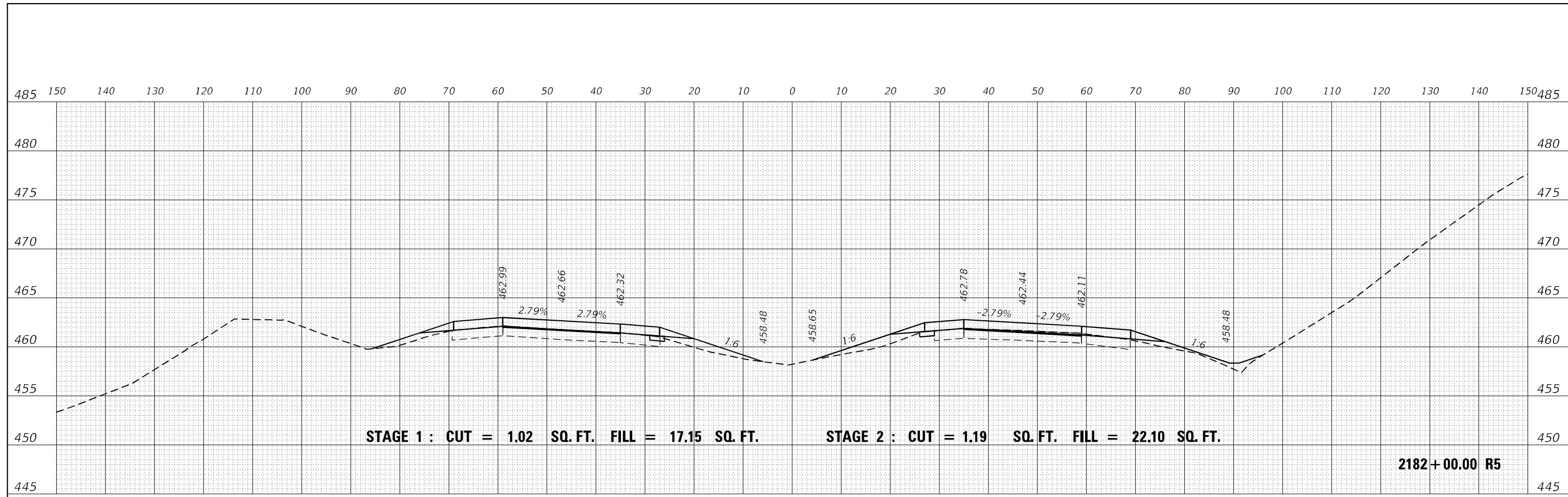
**STATE OF ILLINOIS
DEPARTMENT OF TRANSPORTATION**

**INTERSTATE 64
CROSS SECTIONS**

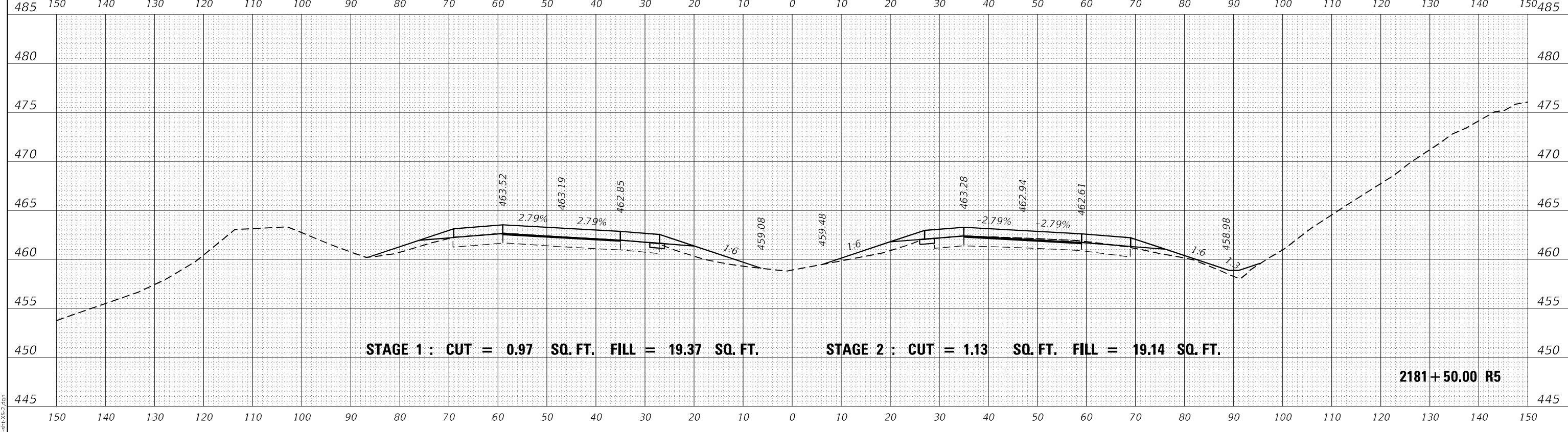
SCALE: 50 SHEET OF SHEETS STA. 2180+50.00 R5 TO STA. 2181+00.00 R5

F.A.I. RTE.	SECTION	COUNTY	TOTAL SHEETS	SHEET NO.
I-64	*	JEFFERSON	1052	779
				CONTRACT NO. 78604

FINAL SURVEY NO.	SURVEYED	DATE
NOTE BOOK	PLOTTED	
AREAS CHECKED	TEMPLATE	
	AREAS	
	CHECKED	



ORIGINAL SURVEY NO.	SURVEYED	DATE
NOTE BOOK	PLOTTED	
AREAS CHECKED	TEMPLATE	
	AREAS	
	CHECKED	



MODEL: D:\mfr\...
FILE NAME: ...029\8604-R5-R5-2.dgn

USER NAME = dhawes	DESIGNED -	REVISED -
PLOT SCALE = 20,0000 * / in.	DRAWN -	REVISED -
PLOT DATE = 11/4/2022 - 9:33:52 AM	CHECKED -	REVISED -
	DATE -	REVISED -

**STATE OF ILLINOIS
DEPARTMENT OF TRANSPORTATION**

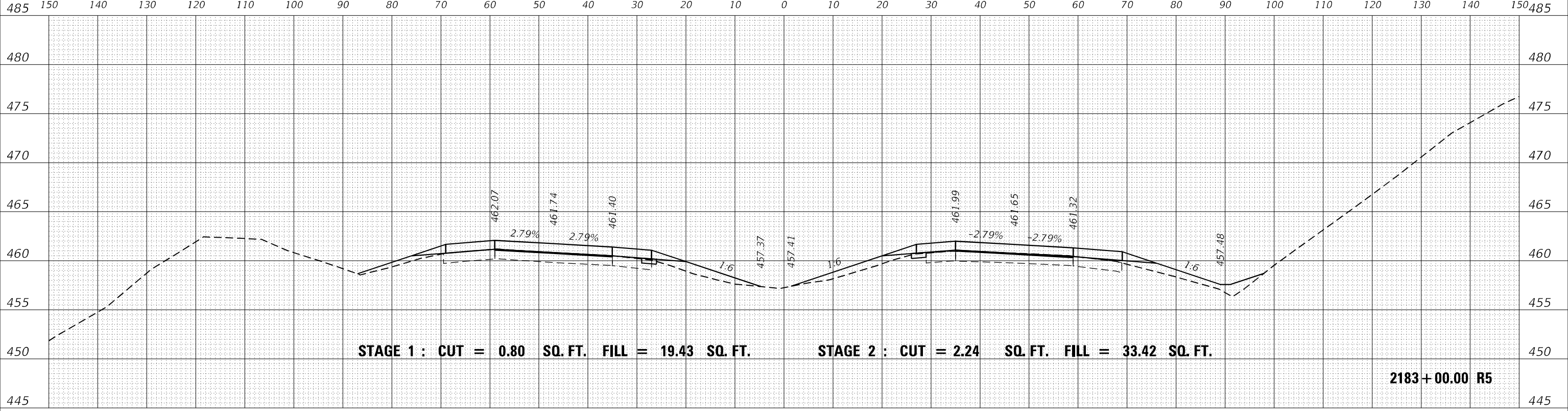
**INTERSTATE 64
CROSS SECTIONS**

SCALE: 50 SHEET OF SHEETS STA. 2181+50.00 R5 TO STA. 2182+00.00 R5

F.A.I. RTE.	SECTION	COUNTY	TOTAL SHEETS	SHEET NO.
I-64	*	JEFFERSON	1052	780
			CONTRACT NO. 78604	

(41-6,41-6-1,41-7)RS-2;BSMART 2023

FINAL SURVEY NO.	SURVEYED	DATE
NOTE BOOK	PLOTTED	
AREAS CHECKED	TEMPLATE	
	AREAS	
	CHECKED	

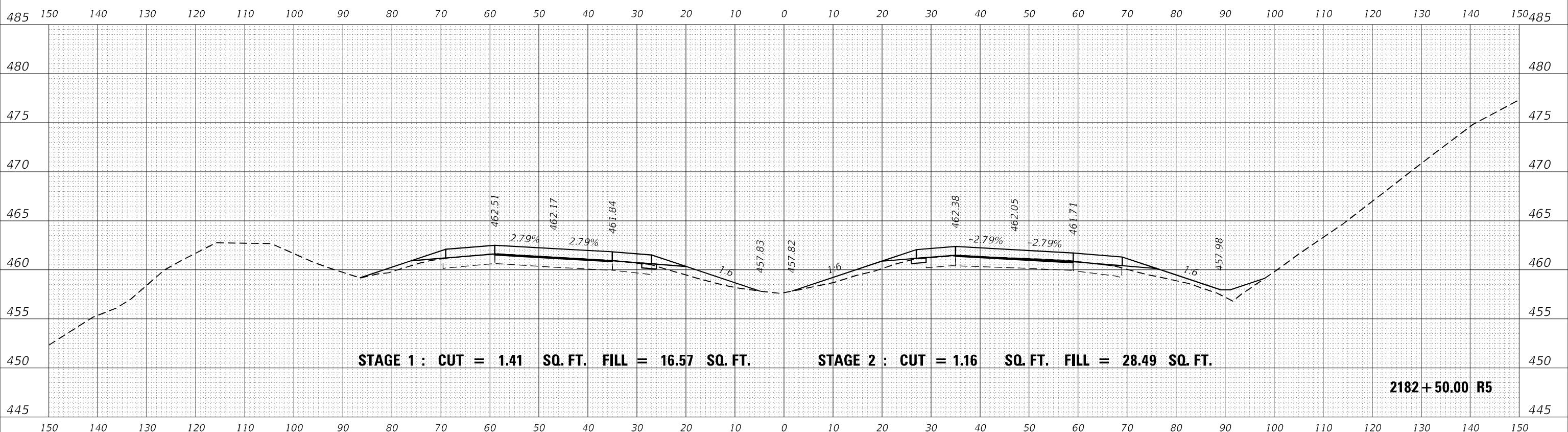


STAGE 1 : CUT = 0.80 SQ. FT. FILL = 19.43 SQ. FT.

STAGE 2 : CUT = 2.24 SQ. FT. FILL = 33.42 SQ. FT.

2183+00.00 R5

ORIGINAL SURVEY NO.	SURVEYED	DATE
NOTE BOOK	PLOTTED	
AREAS CHECKED	TEMPLATE	
	AREAS	
	CHECKED	



STAGE 1 : CUT = 1.41 SQ. FT. FILL = 16.57 SQ. FT.

STAGE 2 : CUT = 1.16 SQ. FT. FILL = 28.49 SQ. FT.

2182+50.00 R5

MODEL: D:\mfr\...
FILE NAME: ...

USER NAME = dhawes	DESIGNED -	REVISED -
	DRAWN -	REVISED -
PLOT SCALE = 20,0000 * / in.	CHECKED -	REVISED -
PLOT DATE = 11/4/2022 - 9:33:53 AM	DATE -	REVISED -

STATE OF ILLINOIS
DEPARTMENT OF TRANSPORTATION

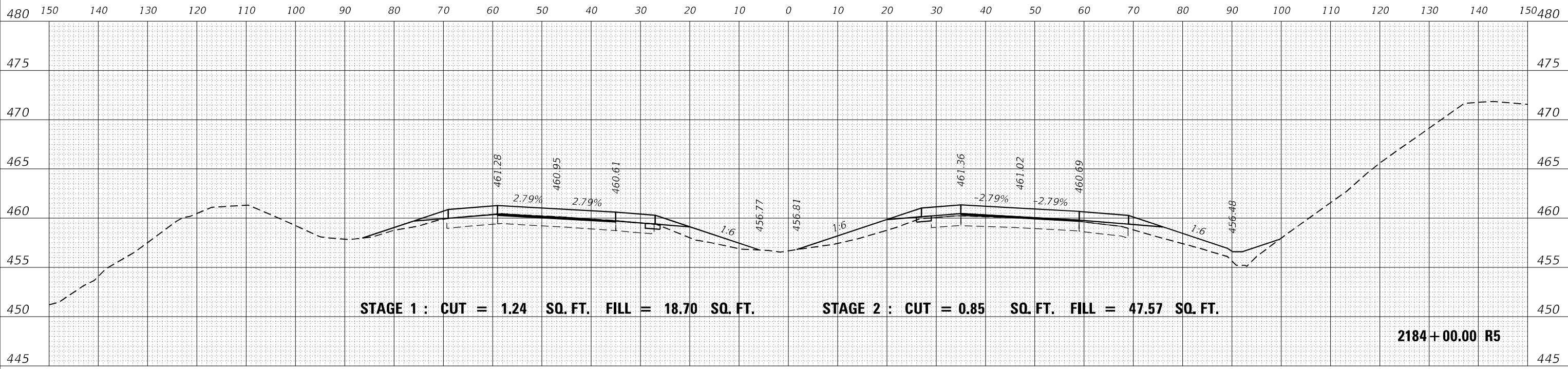
INTERSTATE 64
CROSS SECTIONS

SCALE: 50 SHEET OF SHEETS STA. 2182+50.00 R5 TO STA. 2183+00.00 R5

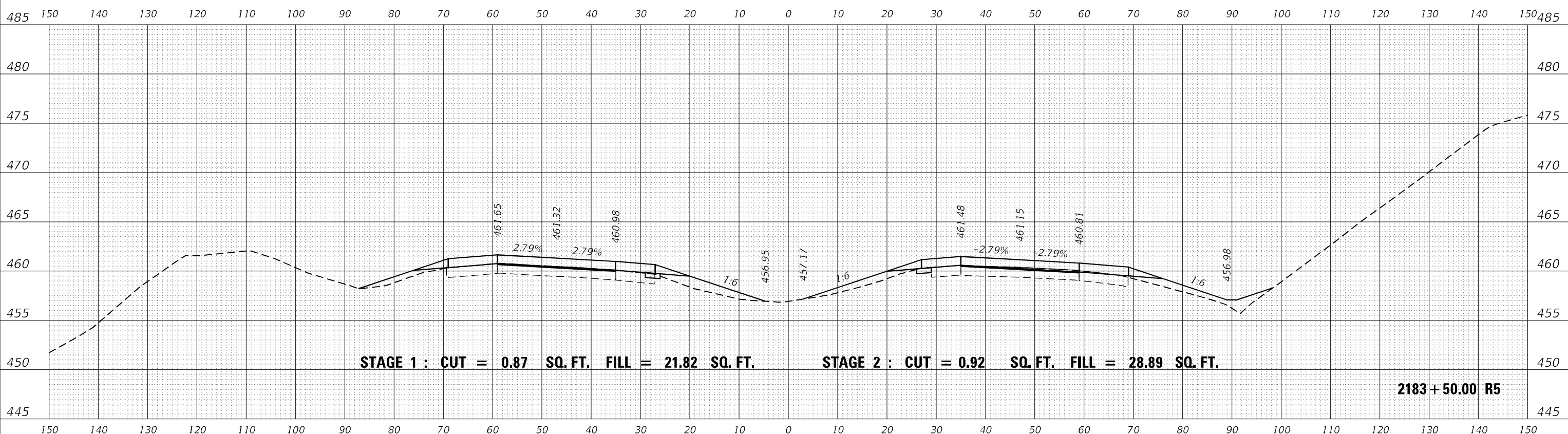
F.A.I. RTE.	SECTION	COUNTY	TOTAL SHEETS	SHEET NO.
I-64	*	JEFFERSON	1052	781
			CONTRACT NO. 78604	

ILLINOIS FED. AID PROJECT
* (41-6,41-6-1,41-7)RS-2;BSMART 2023

DATE	
BY	
SURVEYED	
PLOTTED	
TEMPLATE	
NOTE BOOK	
AREAS CHECKED	
NO.	



DATE	
BY	
SURVEYED	
PLOTTED	
TEMPLATE	
NOTE BOOK	
AREAS CHECKED	
NO.	



MODEL: D:\mfr\...
FILE NAME: ...

USER NAME = dhawes	DESIGNED -	REVISED -
PLOT SCALE = 20,0000 * / in.	DRAWN -	REVISED -
PLOT DATE = 11/4/2022 - 9:33:53 AM	CHECKED -	REVISED -
	DATE -	REVISED -

**STATE OF ILLINOIS
DEPARTMENT OF TRANSPORTATION**

**INTERSTATE 64
CROSS SECTIONS**

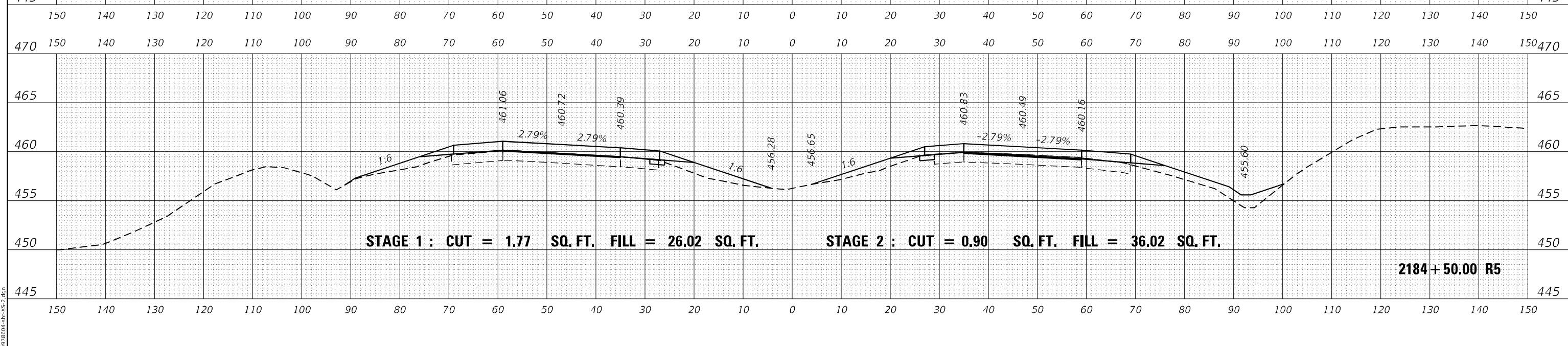
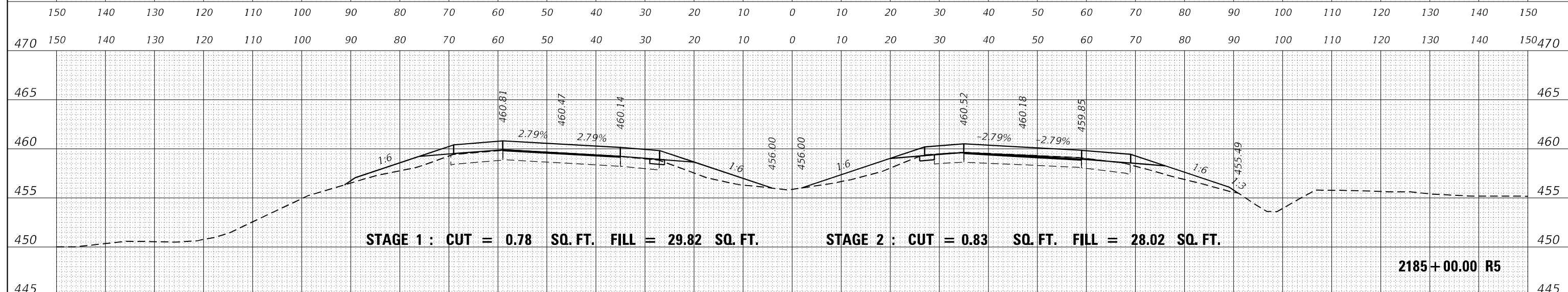
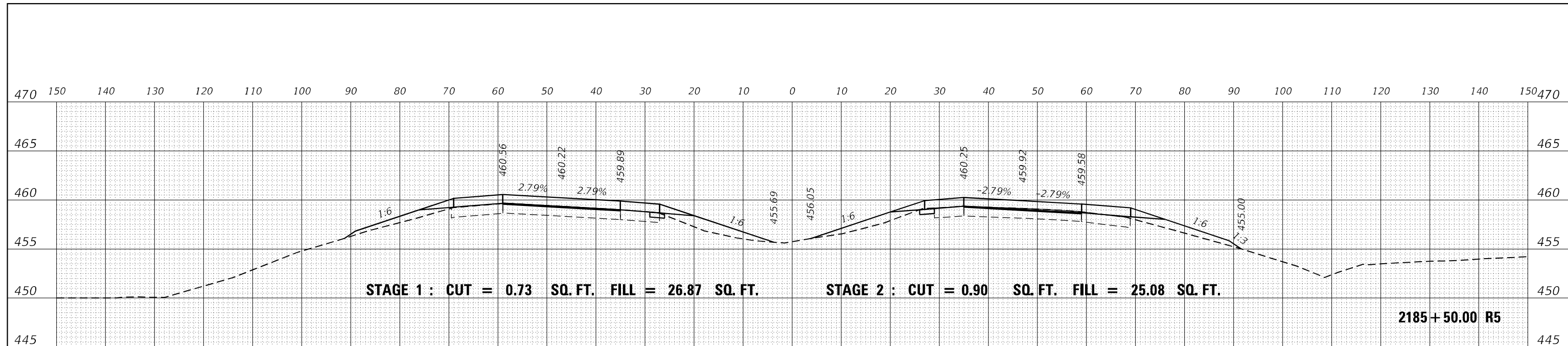
SCALE: 50 SHEET OF SHEETS STA. 2183+50.00 R5 TO STA. 2184+00.00 R5

F.A.I. RTE.	SECTION	COUNTY	TOTAL SHEETS	SHEET NO.
I-64	*	JEFFERSON	1052	782
				CONTRACT NO. 78604

(41-6,41-6-1,41-7)RS-2;BSMART 2023

DATE	
BY	
SURVEYED	
PLOTTED	
TEMPLATE	
NOTE BOOK	
AREAS CHECKED	
NO.	

DATE	
BY	
SURVEYED	
PLOTTED	
TEMPLATE	
NOTE BOOK	
AREAS CHECKED	
NO.	



MODEL: D:\mfr\...
FILE NAME: ...029\8604-R5-R5-2.dgn

USER NAME = dhawes	DESIGNED -	REVISED -
	DRAWN -	REVISED -
PLOT SCALE = 20,0000' / in.	CHECKED -	REVISED -
PLOT DATE = 11/4/2022 - 9:33:54 AM	DATE -	REVISED -

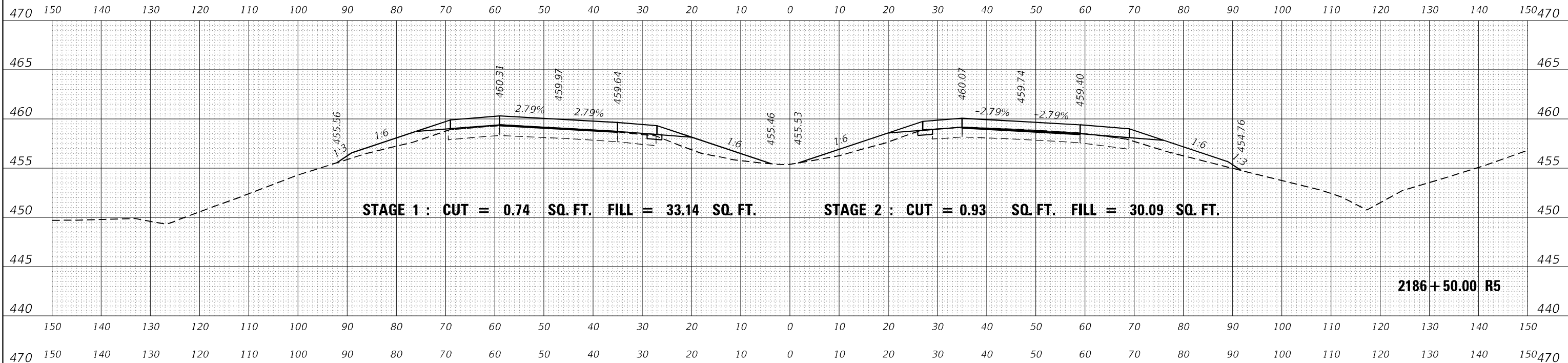
**STATE OF ILLINOIS
DEPARTMENT OF TRANSPORTATION**

INTERSTATE 64 CROSS SECTIONS	
SCALE: 50	SHEET OF SHEETS
STA. 2184+50.00 R5 TO STA. 2185+50.00 R5	

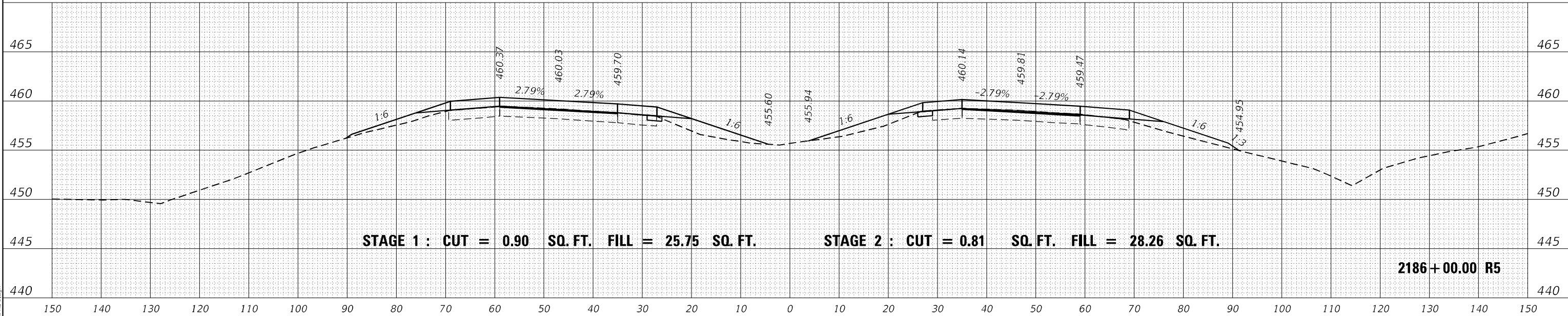
F.A.I. RTE. I-64	SECTION *	COUNTY JEFFERSON	TOTAL SHEETS 1052	SHEET NO. 783
			CONTRACT NO. 78604	
ILLINOIS FED. AID PROJECT				

* (41-6,41-6-1,41-7)RS-2;BSMART 2023

DATE	
BY	
SURVEYED	
PLOTTED	
TEMPLATE	
NOTE BOOK	
AREAS CHECKED	
NO.	



DATE	
BY	
SURVEYED	
PLOTTED	
TEMPLATE	
NOTE BOOK	
AREAS CHECKED	
NO.	



MODEL: D:\mfr\...
FILE NAME: ...02\8604-R5-XS-2.dgn

USER NAME = dhawes	DESIGNED -	REVISED -
	DRAWN -	REVISED -
PLOT SCALE = 20,0000 * / in.	CHECKED -	REVISED -
PLOT DATE = 11/4/2022 - 9:33:54 AM	DATE -	REVISED -

**STATE OF ILLINOIS
DEPARTMENT OF TRANSPORTATION**

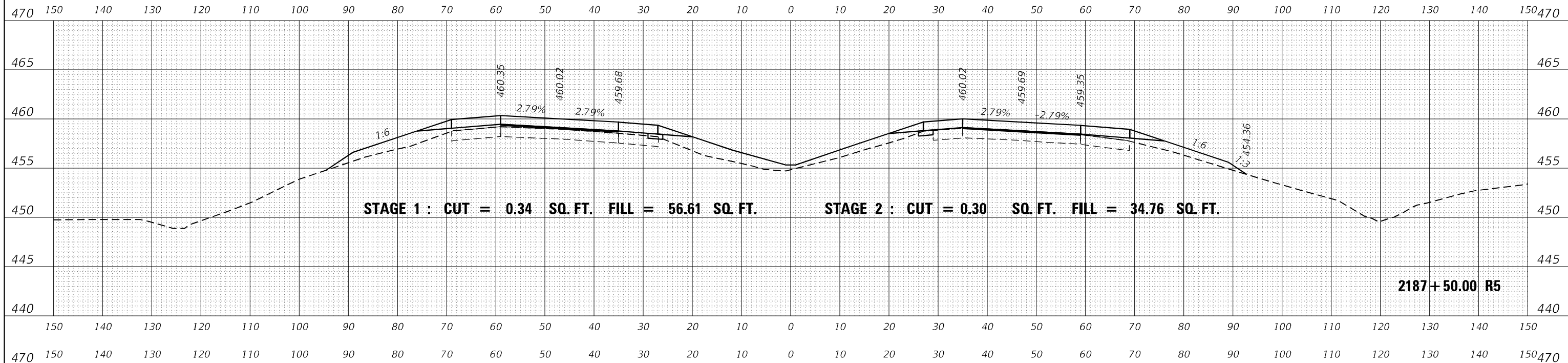
**INTERSTATE 64
CROSS SECTIONS**

SCALE: 50 SHEET OF SHEETS STA. 2186+00.00 R5 TO STA. 2186+50.00 R5

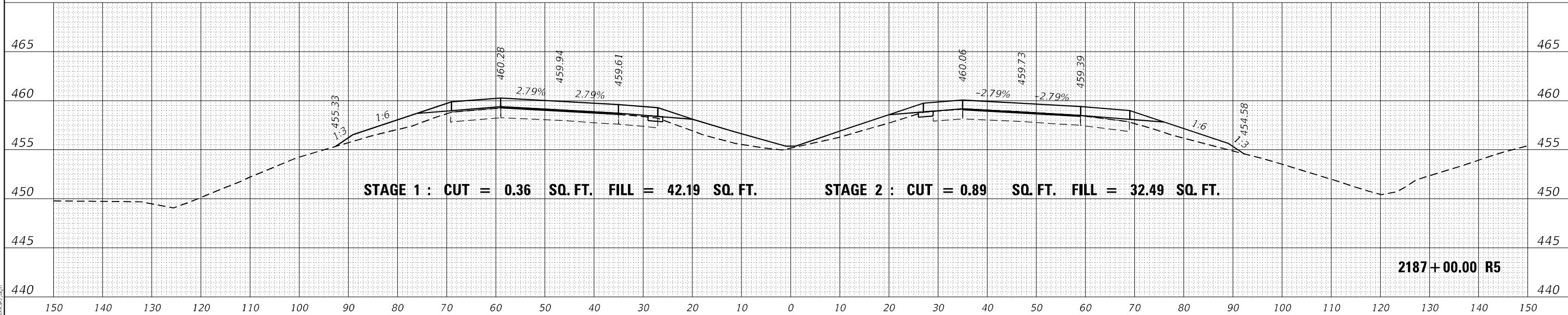
F.A.I. RTE.	SECTION	COUNTY	TOTAL SHEETS	SHEET NO.
I-64	*	JEFFERSON	1052	784
CONTRACT NO. 78604				

ILLINOIS FED. AID PROJECT

DATE	
BY	
FINAL SURVEY	SURVEYED
NOTE BOOK	PLOTTED
NO.	AREAS CHECKED



DATE	
BY	
ORIGINAL SURVEY	SURVEYED
NOTE BOOK	PLOTTED
NO.	AREAS CHECKED



MODEL: D:\mfr\h
FILE NAME: ...02978604-R5-XS-2.dgn

USER NAME = dhawes	DESIGNED -	REVISED -
	DRAWN -	REVISED -
PLOT SCALE = 20,0000 * / in.	CHECKED -	REVISED -
PLOT DATE = 11/4/2022 - 9:33:55 AM	DATE -	REVISED -

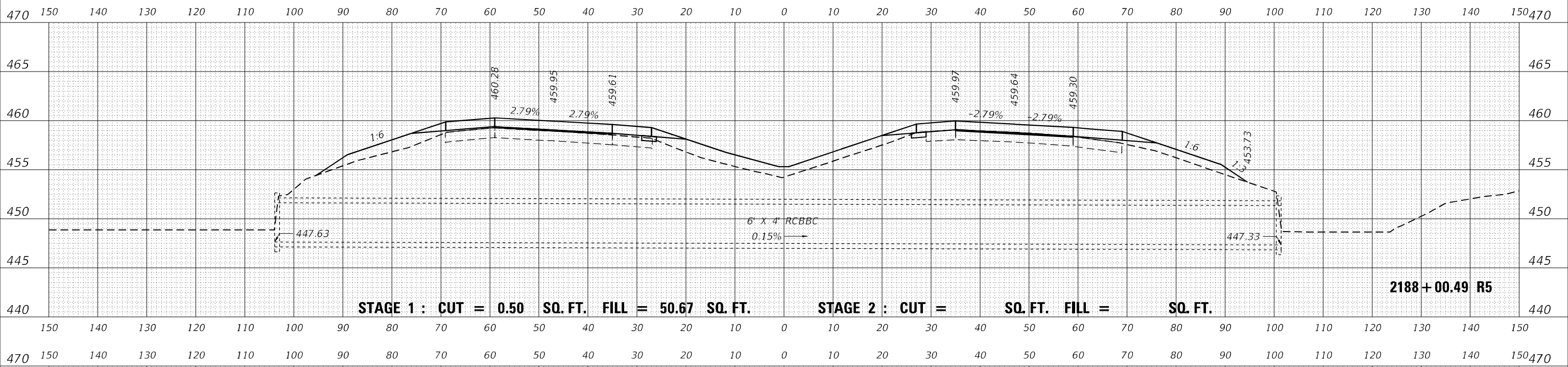
**STATE OF ILLINOIS
DEPARTMENT OF TRANSPORTATION**

**INTERSTATE 64
CROSS SECTIONS**

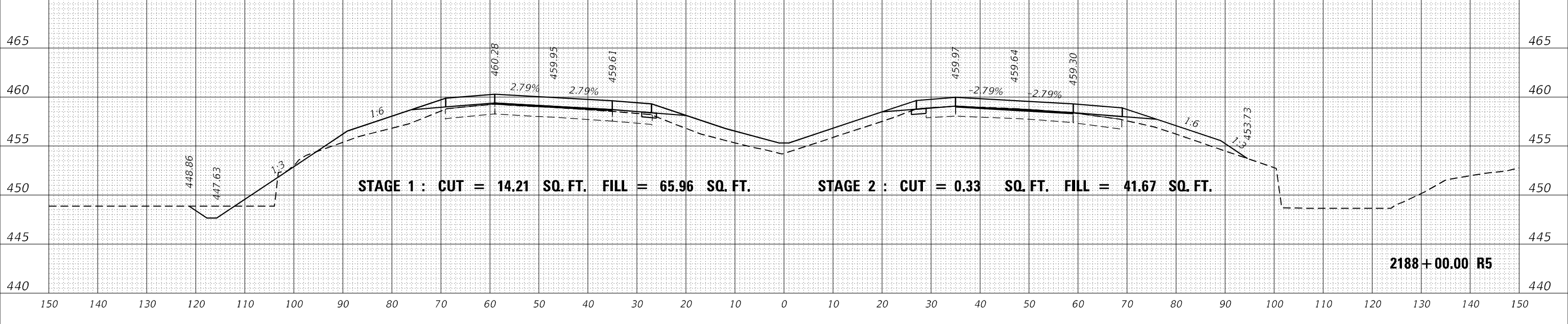
SCALE: 50 SHEET OF SHEETS STA. 2187+00.00 R5 TO STA. 2187+50.00 R5

F.A.I. RTE.	SECTION	COUNTY	TOTAL SHEETS	SHEET NO.
I-64	*	JEFFERSON	1052	785
			CONTRACT NO. 78604	

DATE	
BY	
FINAL SURVEY	SURVEYED
NOTE BOOK	PLOTTED
NO.	TEMPLATE
	AREAS CHECKED



DATE	
BY	
ORIGINAL SURVEY	SURVEYED
NOTE BOOK	PLOTTED
NO.	TEMPLATE
	AREAS CHECKED



MODEL: D:\mfr\...
FILE NAME: ...

USER NAME = dhawes	DESIGNED -	REVISED -
	DRAWN -	REVISED -
PLOT SCALE = 20,000 * / in.	CHECKED -	REVISED -
PLOT DATE = 11/4/2022 - 9:33:55 AM	DATE -	REVISED -

**STATE OF ILLINOIS
DEPARTMENT OF TRANSPORTATION**

**INTERSTATE 64
CROSS SECTIONS**

SCALE: 50 SHEET OF SHEETS STA. 2188+00.00 R5 TO STA. 2188+00.49 R5

F.A.I. RTE.	SECTION	COUNTY	TOTAL SHEETS	SHEET NO.
I-64	*	JEFFERSON	1052	786
CONTRACT NO. 78604				

ILLINOIS FED. AID PROJECT

(41-6,41-6-1,41-7)RS-2;BSMART 2023

DATE	
BY	
FINAL SURVEY	SURVEYED
NOTE BOOK	PLOTTED
NO.	AREAS CHECKED



DATE	
BY	
ORIGINAL SURVEY	SURVEYED
NOTE BOOK	PLOTTED
NO.	AREAS CHECKED



MODEL: D:\mfr\it
FILE NAME: ...029\8604-R5-VS-2.dgn

USER NAME = dhawes	DESIGNED -	REVISED -
PLOT SCALE = 20,0000 * / in.	DRAWN -	REVISED -
PLOT DATE = 11/4/2022 - 9:33:56 AM	CHECKED -	REVISED -
	DATE -	REVISED -

STATE OF ILLINOIS
DEPARTMENT OF TRANSPORTATION

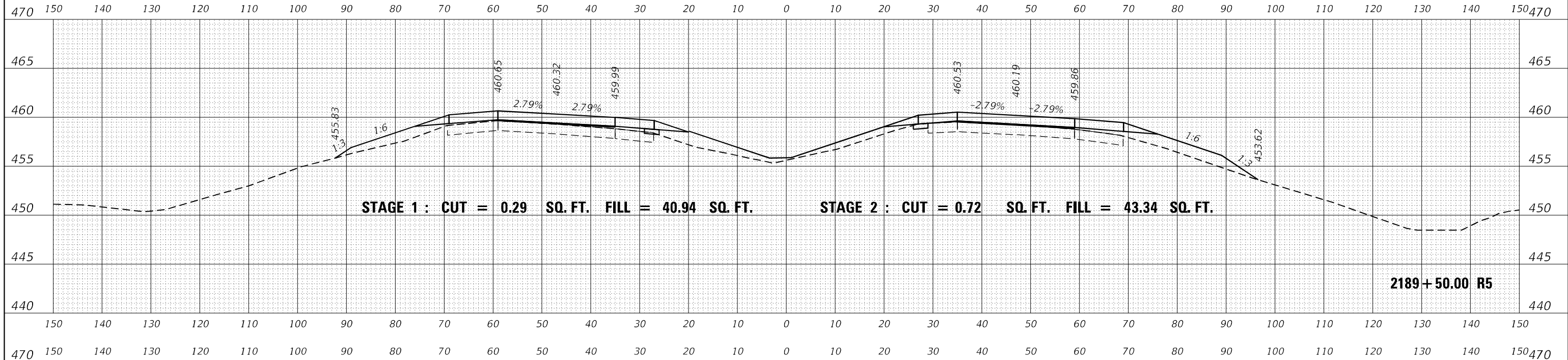
INTERSTATE 64
CROSS SECTIONS

SCALE: 50 SHEET OF SHEETS STA. 2188+23.04 R5 TO STA. 2188+50.00 R5

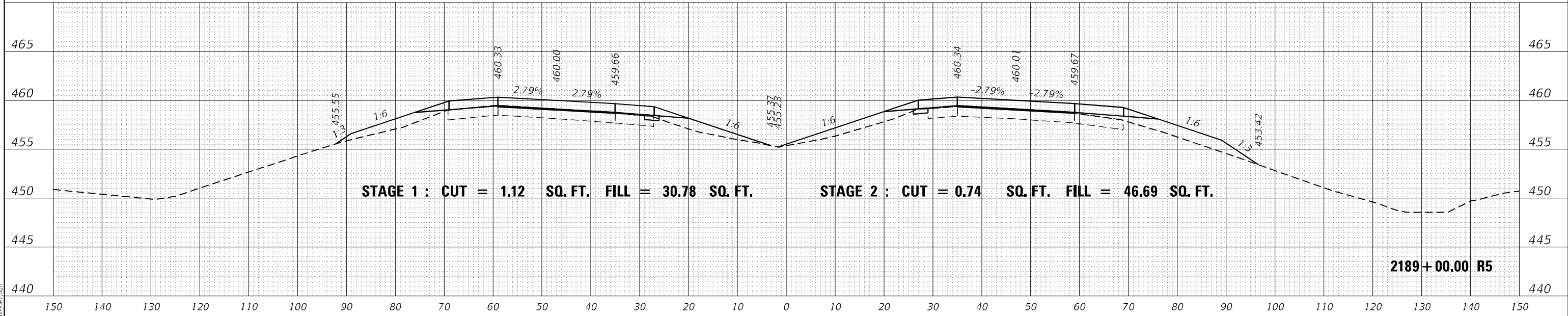
F.A.I. RTE.	SECTION	COUNTY	TOTAL SHEETS	SHEET NO.
I-64	*	JEFFERSON	1052	787
			CONTRACT NO. 78604	

ILLINOIS FED. AID PROJECT

DATE	
BY	
FINAL SURVEY	SURVEYED
NOTE BOOK	PLOTTED
NO.	TEMPLATE
	AREAS CHECKED



DATE	
BY	
ORIGINAL SURVEY	SURVEYED
NOTE BOOK	PLOTTED
NO.	TEMPLATE
	AREAS CHECKED



MODEL: D:\mfr\...
FILE NAME: ...029\8604-R5-XS-2.dgn

USER NAME = dhawes	DESIGNED -	REVISED -
	DRAWN -	REVISED -
PLOT SCALE = 20,0000 * / in.	CHECKED -	REVISED -
PLOT DATE = 11/4/2022 - 9:33:56 AM	DATE -	REVISED -

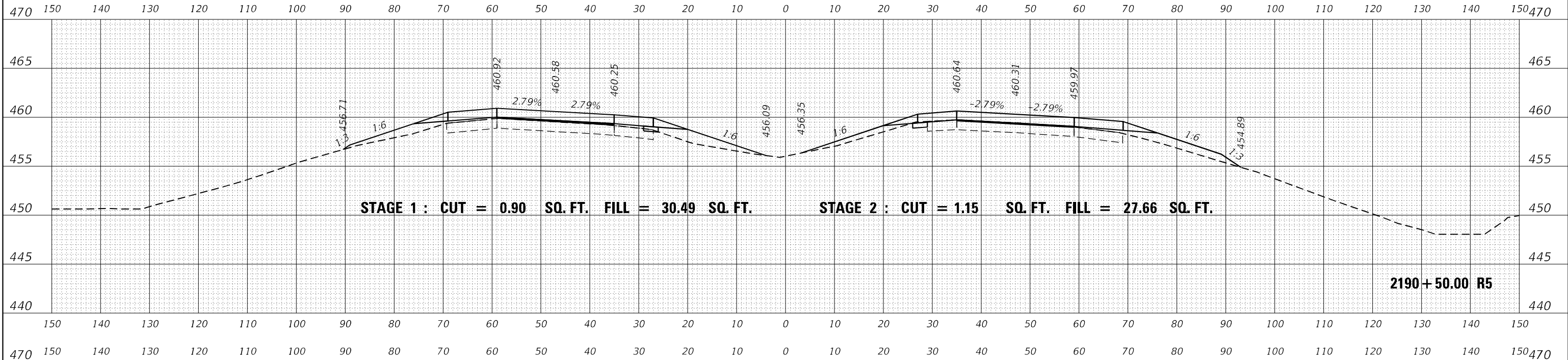
**STATE OF ILLINOIS
DEPARTMENT OF TRANSPORTATION**

**INTERSTATE 64
CROSS SECTIONS**

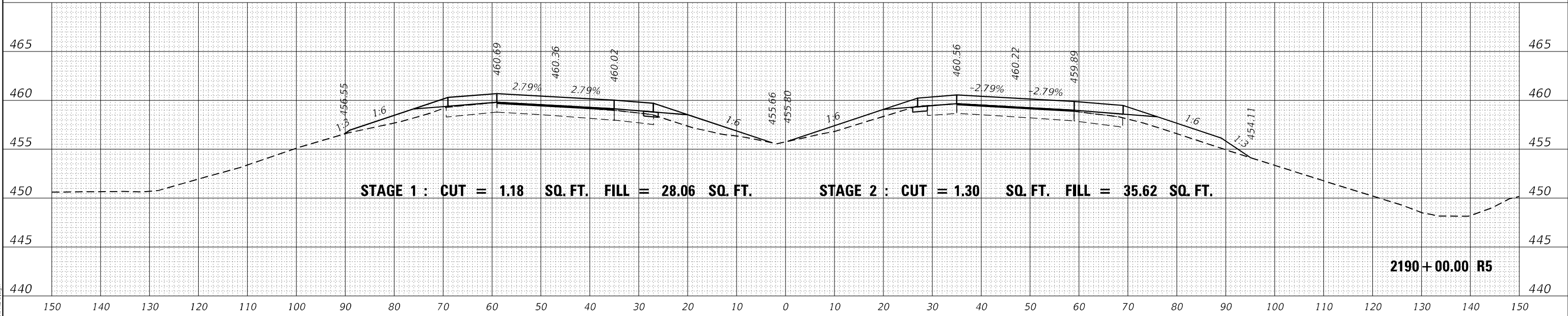
SCALE: 50 SHEET OF SHEETS STA. 2189+00.00 R5 TO STA. 2189+50.00 R5

F.A.I. RTE.	SECTION	COUNTY	TOTAL SHEETS	SHEET NO.
I-64	*	JEFFERSON	1052	788
CONTRACT NO. 78604				

DATE	
BY	
FINAL SURVEY	SURVEYED
NOTE BOOK	PLOTTED
NO.	TEMPLATE
	AREAS CHECKED



DATE	
BY	
ORIGINAL SURVEY	SURVEYED
NOTE BOOK	PLOTTED
NO.	TEMPLATE
	AREAS CHECKED



MODEL: D:\mfr\...
FILE NAME: ...02\8604-R5-XS-2.dgn

USER NAME = dhawes	DESIGNED -	REVISED -
	DRAWN -	REVISED -
PLOT SCALE = 20,0000 * / in.	CHECKED -	REVISED -
PLOT DATE = 11/4/2022 - 9:33:57 AM	DATE -	REVISED -

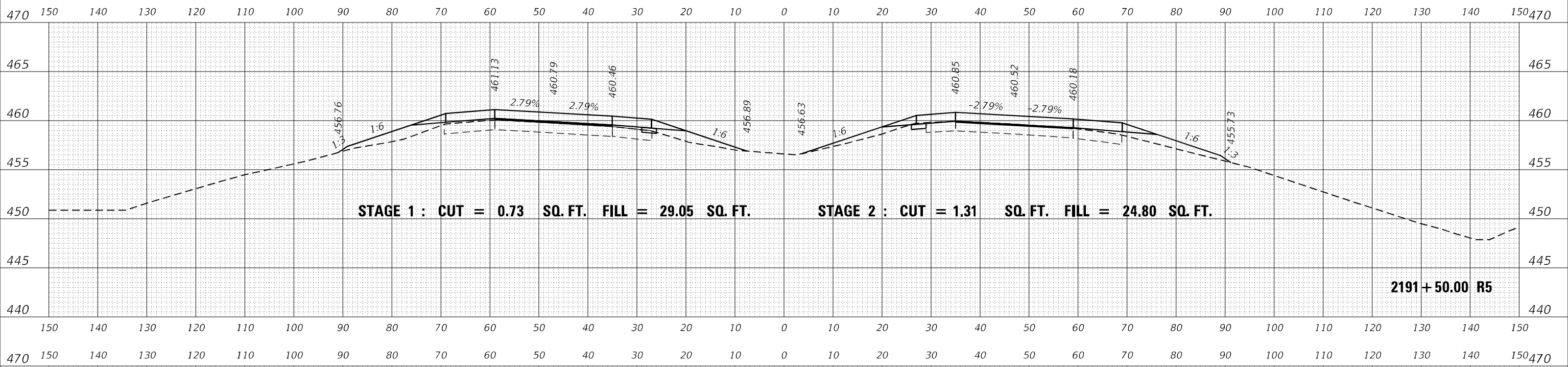
**STATE OF ILLINOIS
DEPARTMENT OF TRANSPORTATION**

**INTERSTATE 64
CROSS SECTIONS**

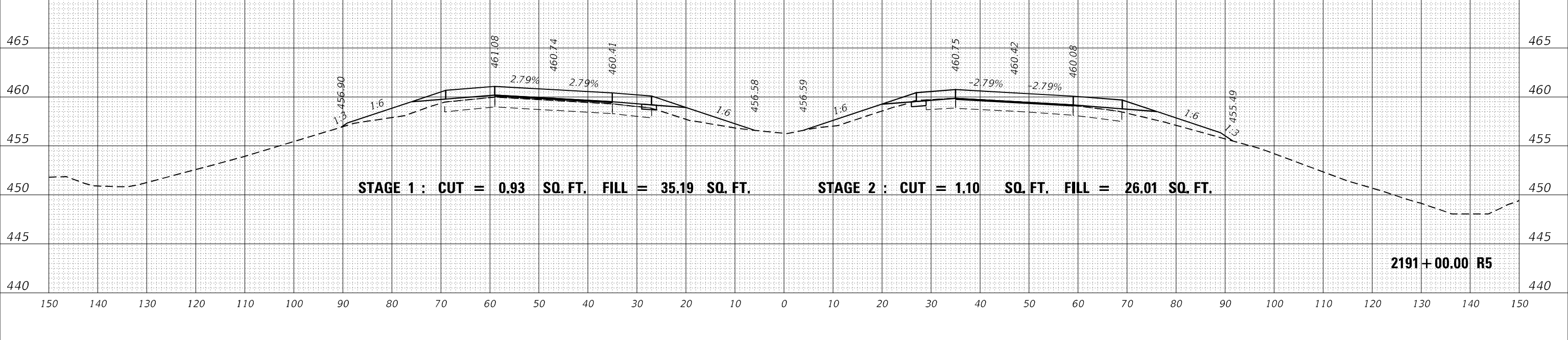
SCALE: 50 SHEET OF SHEETS STA. 2190+00.00 R5 TO STA. 2190+50.00 R5

F.A.I. RTE.	SECTION	COUNTY	TOTAL SHEETS	SHEET NO.
I-64	*	JEFFERSON	1052	789
CONTRACT NO. 78604				

DATE	
BY	
FINAL SURVEY	SURVEYED
NOTE BOOK	PLOTTED
NO.	TEMPLATE
	AREAS
	CHECKED



DATE	
BY	
ORIGINAL SURVEY	SURVEYED
NOTE BOOK	PLOTTED
NO.	TEMPLATE
	AREAS
	CHECKED



MODEL: D:\mfr\it
 FILE NAME: ...029\8604-R5-R5-2.dgn

USER NAME = dhawes	DESIGNED -	REVISED -
	DRAWN -	REVISED -
PLOT SCALE = 20,0000 * / in.	CHECKED -	REVISED -
PLOT DATE = 11/4/2022 - 9:33:58 AM	DATE -	REVISED -

STATE OF ILLINOIS
DEPARTMENT OF TRANSPORTATION

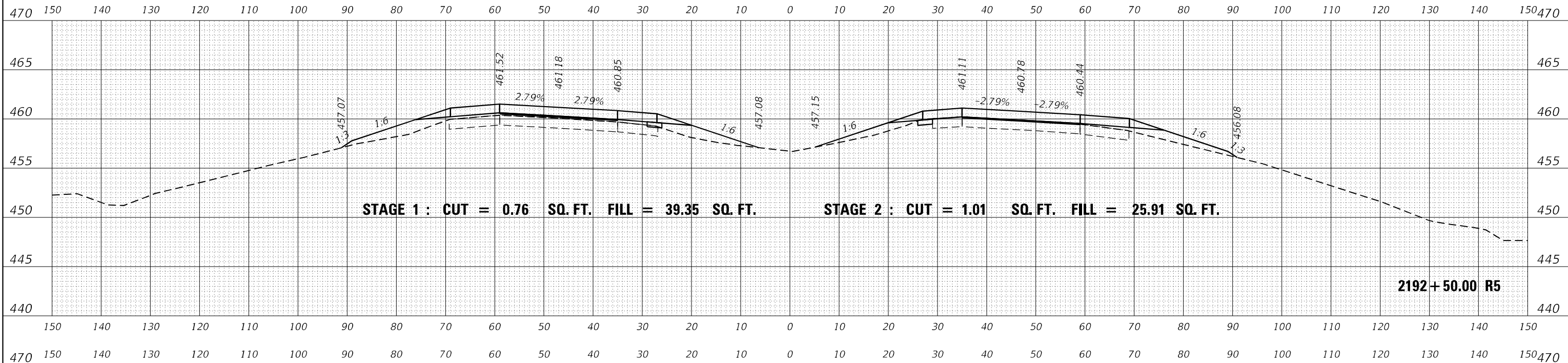
INTERSTATE 64
CROSS SECTIONS

SCALE: 50 SHEET OF SHEETS STA. 2191+00.00 R5 TO STA. 2191+50.00 R5

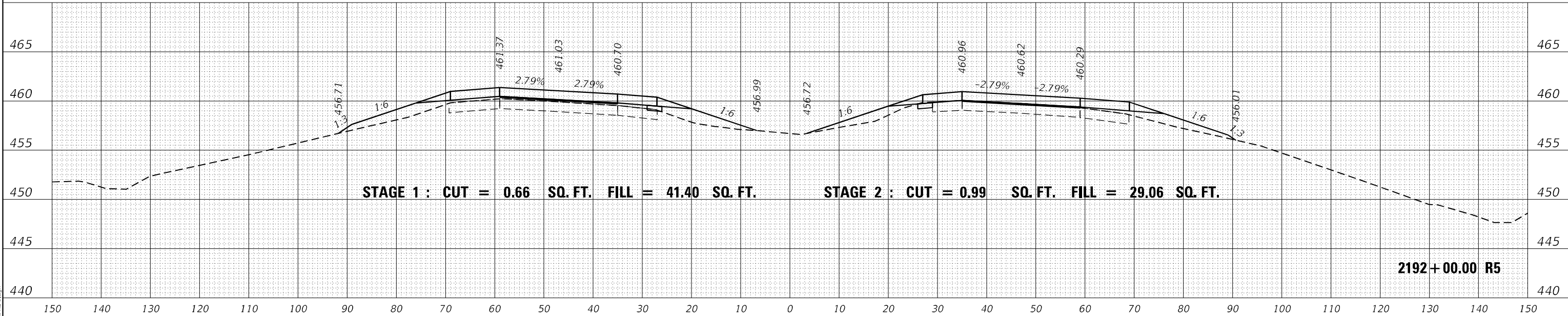
F.A.I. RTE.	SECTION	COUNTY	TOTAL SHEETS	SHEET NO.
I-64	*	JEFFERSON	1052	790
CONTRACT NO. 78604				

* (41-6,41-6-1,41-7)RS-2;BSMART 2023

DATE	
BY	
FINAL SURVEY	SURVEYED
NOTE BOOK	PLOTTED
NO.	TEMPLATE
	AREAS
	CHECKED



DATE	
BY	
ORIGINAL SURVEY	SURVEYED
NOTE BOOK	PLOTTED
NO.	TEMPLATE
	AREAS
	CHECKED



MODEL: D:\mfr\it
FILE NAME: ...029\8604-R5-XS-2.dgn

USER NAME = dhawes	DESIGNED -	REVISED -
	DRAWN -	REVISED -
PLOT SCALE = 20,0000 * / in.	CHECKED -	REVISED -
PLOT DATE = 11/4/2022 - 9:33:58 AM	DATE -	REVISED -

**STATE OF ILLINOIS
DEPARTMENT OF TRANSPORTATION**

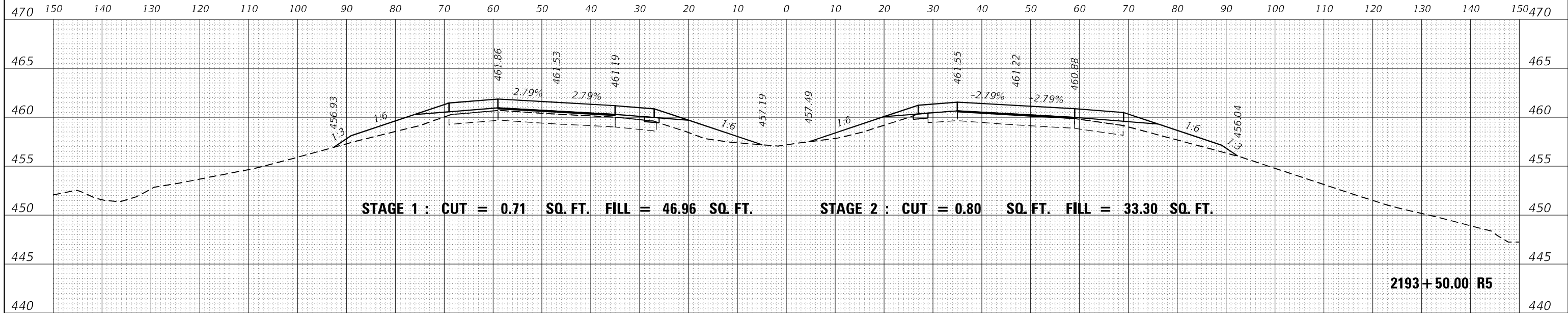
**INTERSTATE 64
CROSS SECTIONS**

SCALE: 50 SHEET OF SHEETS STA. 2192+00.00 R5 TO STA. 2192+50.00 R5

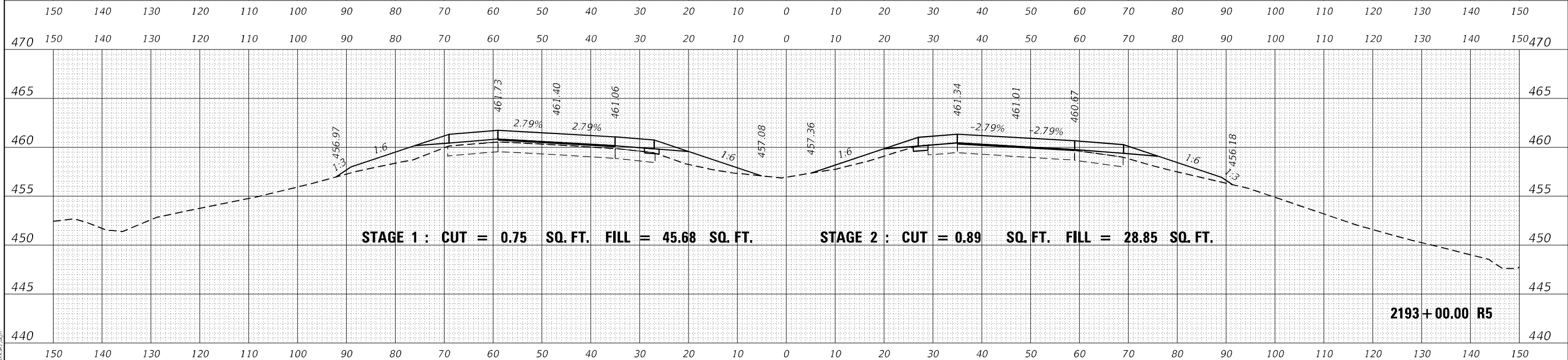
F.A.I. RTE.	SECTION	COUNTY	TOTAL SHEETS	SHEET NO.
I-64	*	JEFFERSON	1052	791
CONTRACT NO. 78604				

ILLINOIS FED. AID PROJECT

DATE	
BY	
SURVEYED	
PLOTTED	
TEMPLATE	
NOTE BOOK	
AREAS CHECKED	



DATE	
BY	
SURVEYED	
PLOTTED	
TEMPLATE	
NOTE BOOK	
AREAS CHECKED	



MODEL: D:\mfr\...
FILE NAME: ...02\8604-R5-R5-2.dgn

USER NAME = dhawes	DESIGNED -	REVISED -
	DRAWN -	REVISED -
PLOT SCALE = 20,0000 * / in.	CHECKED -	REVISED -
PLOT DATE = 11/4/2022 - 9:33:59 AM	DATE -	REVISED -

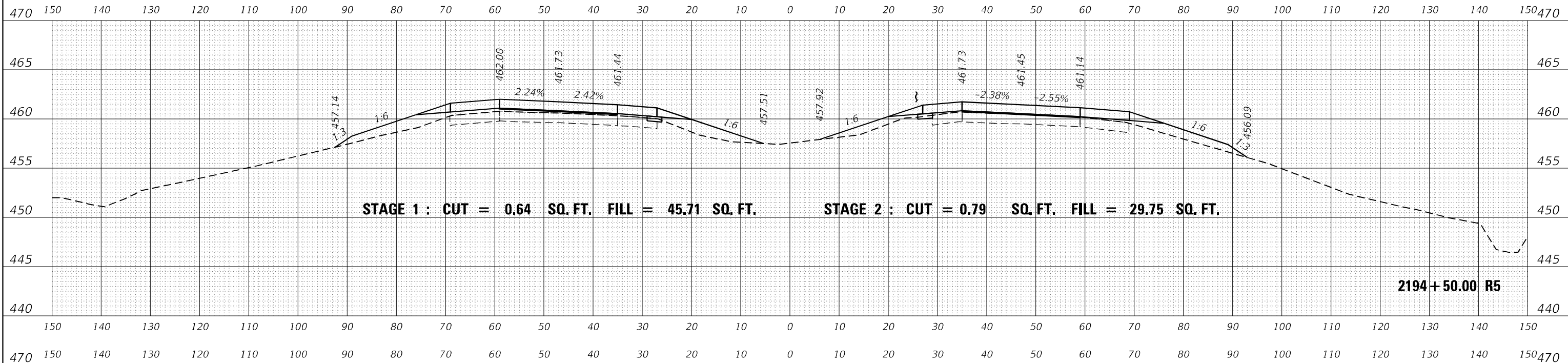
**STATE OF ILLINOIS
DEPARTMENT OF TRANSPORTATION**

**INTERSTATE 64
CROSS SECTIONS**

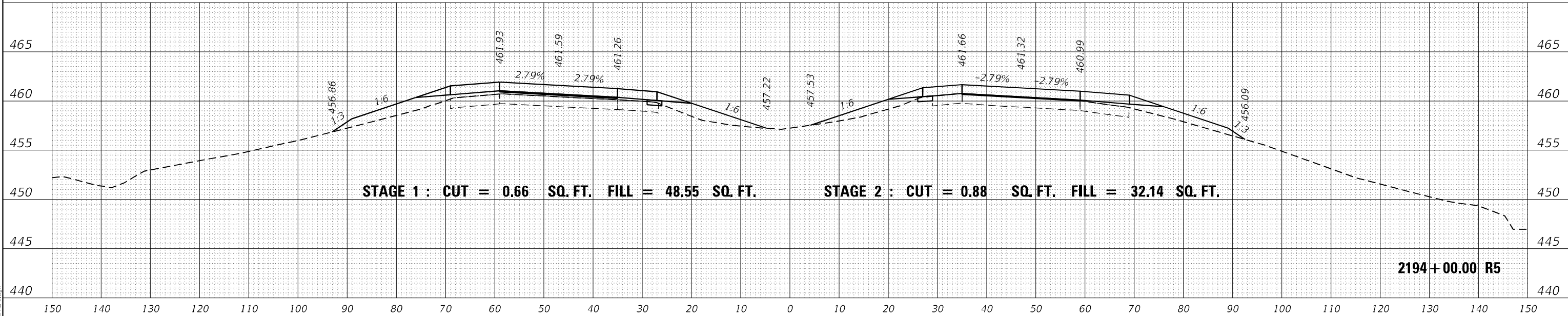
SCALE: 50 SHEET OF SHEETS STA. 2193+00.00 R5 TO STA. 2193+50.00 R5

F.A.I. RTE.	SECTION	COUNTY	TOTAL SHEETS	SHEET NO.
I-64	*	JEFFERSON	1052	792
CONTRACT NO. 78604				

FINAL SURVEY	SURVEYED	DATE
NOTE BOOK	PLOTTED	BY
NO.	TEMPLATE	
	AREAS CHECKED	



ORIGINAL SURVEY	SURVEYED	DATE
NOTE BOOK	PLOTTED	BY
NO.	TEMPLATE	
	AREAS CHECKED	



MODEL: D:\mfr\...
FILE NAME: ...029\8604-R5-XS-2.dgn

USER NAME = dhawes	DESIGNED -	REVISED -
	DRAWN -	REVISED -
PLOT SCALE = 20,0000 * / in.	CHECKED -	REVISED -
PLOT DATE = 11/4/2022 - 9:33:59 AM	DATE -	REVISED -

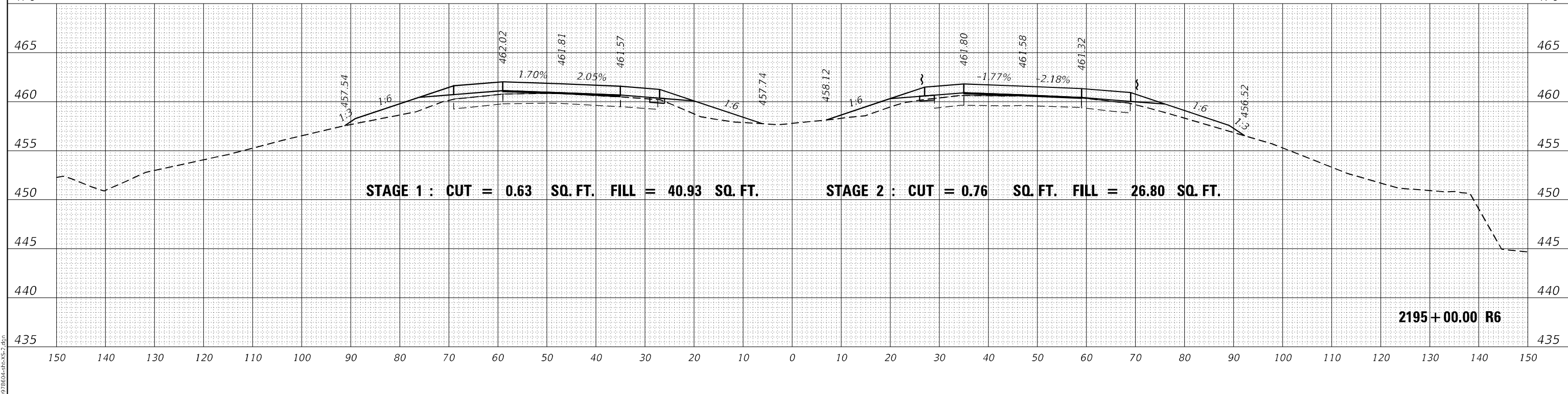
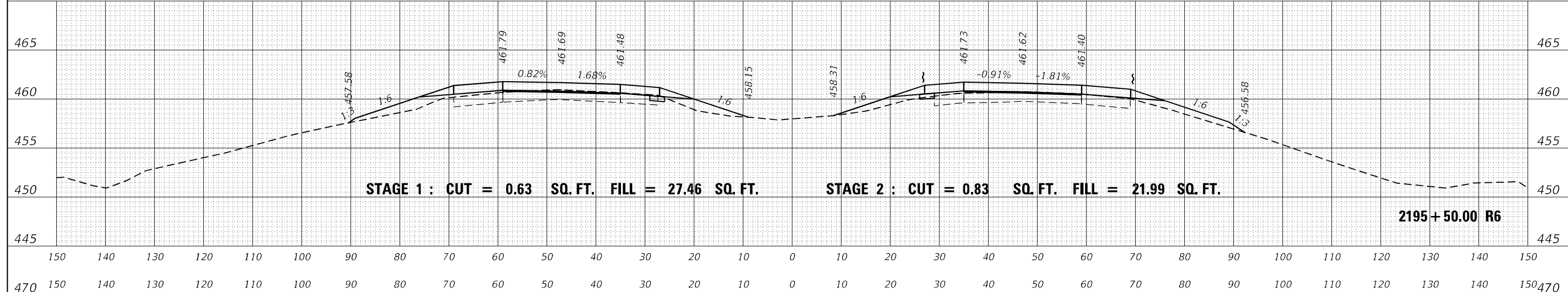
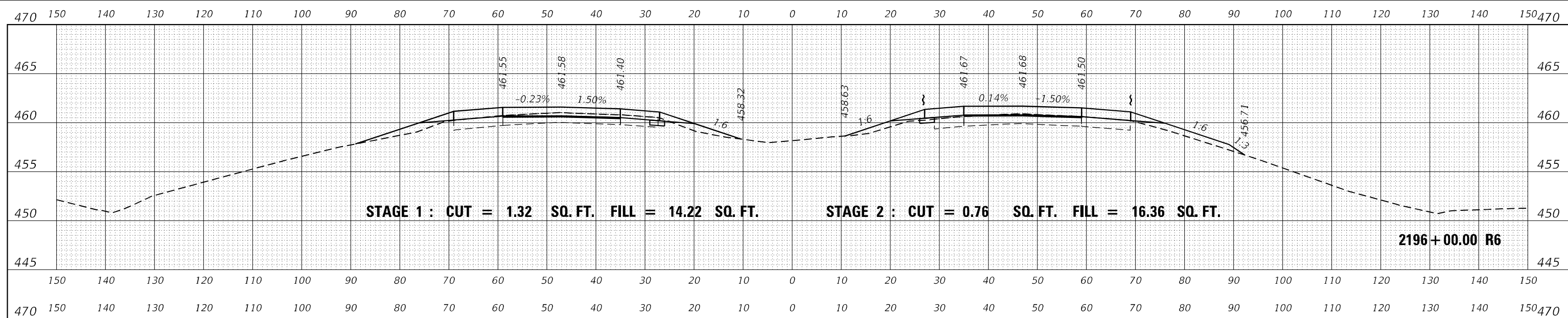
**STATE OF ILLINOIS
DEPARTMENT OF TRANSPORTATION**

**INTERSTATE 64
CROSS SECTIONS**

SCALE: 50 SHEET OF SHEETS STA. 2194+00.00 R5 TO STA. 2194+50.00 R5

F.A.I. RTE.	SECTION	COUNTY	TOTAL SHEETS	SHEET NO.
I-64	*	JEFFERSON	1052	793
CONTRACT NO. 78604				

ILLINOIS FED. AID PROJECT



DATE	
BY	
FINAL SURVEY	SURVEYED
NOTE BOOK	PLOTTED
NO.	TEMPLATE
	AREAS
	CHECKED

DATE	
BY	
ORIGINAL SURVEY	SURVEYED
NOTE BOOK	PLOTTED
NO.	TEMPLATE
	AREAS
	CHECKED

MODEL: D:\mfr\it
FILE NAME: ...029\8604-RS-VS-2.dgn

USER NAME = dhawes	DESIGNED -	REVISED -
PLOT SCALE = 20,0000 * / in.	DRAWN -	REVISED -
PLOT DATE = 11/4/2022 - 9:34:00 AM	CHECKED -	REVISED -
	DATE -	REVISED -

**STATE OF ILLINOIS
DEPARTMENT OF TRANSPORTATION**

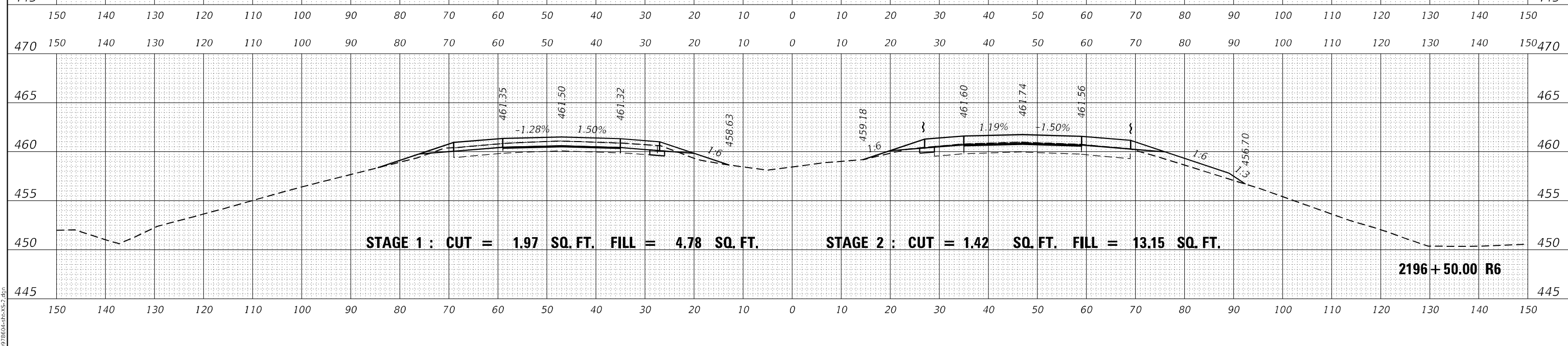
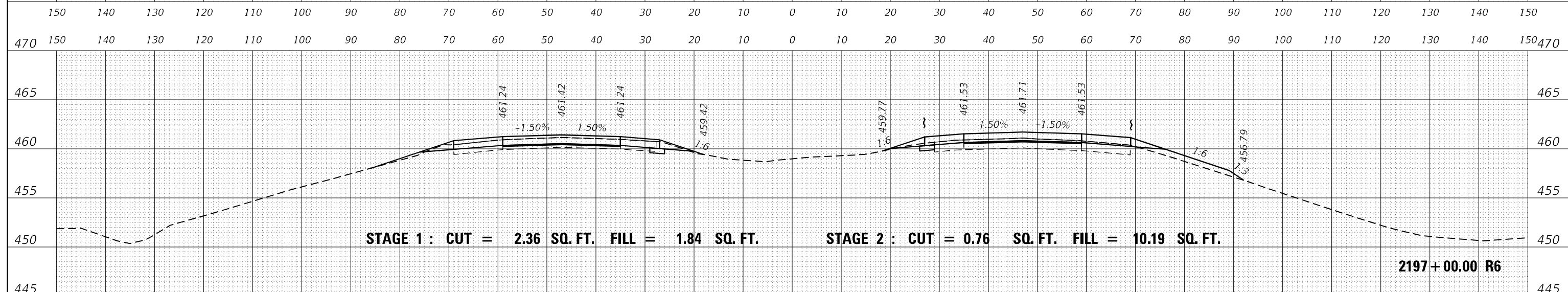
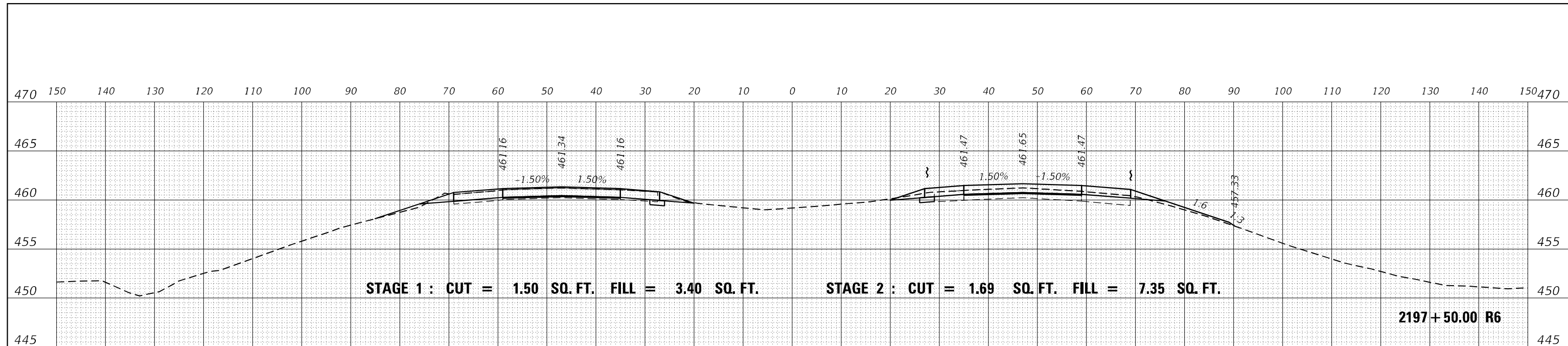
INTERSTATE 64 CROSS SECTIONS	
SCALE: 50	SHEET OF SHEETS
STA. 2195+00.00 R6 TO STA. 2196+00.00 R6	

F.A.I. RTE. I-64	SECTION *	COUNTY JEFFERSON	TOTAL SHEETS 1052	SHEET NO. 794
CONTRACT NO. 78604			ILLINOIS FED. AID PROJECT	

* (41-6,41-6-1,41-7)RS-2;BSMART 2023

DATE	
BY	
FINAL SURVEY	SURVEYED
NOTE BOOK	PLOTTED
NO.	TEMPLATE
	AREAS
	CHECKED

DATE	
BY	
ORIGINAL SURVEY	SURVEYED
NOTE BOOK	PLOTTED
NO.	TEMPLATE
	AREAS
	CHECKED



MODEL: D:\mfr\...
FILE NAME: ...029\8604-R6-XS-2.dgn

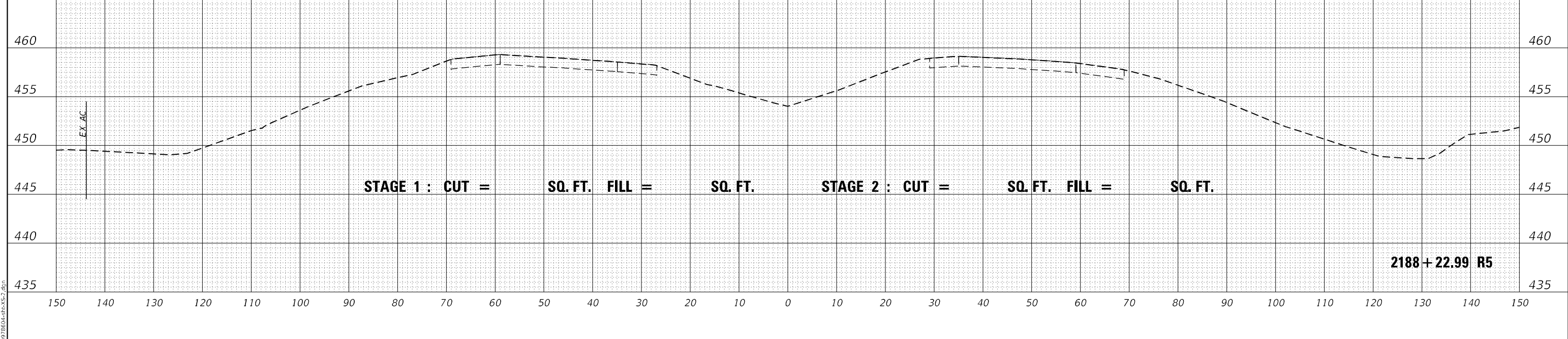
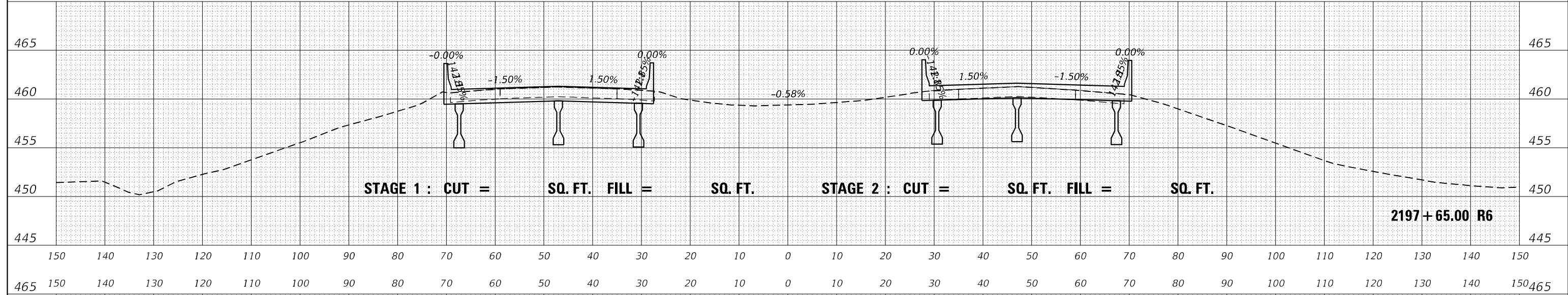
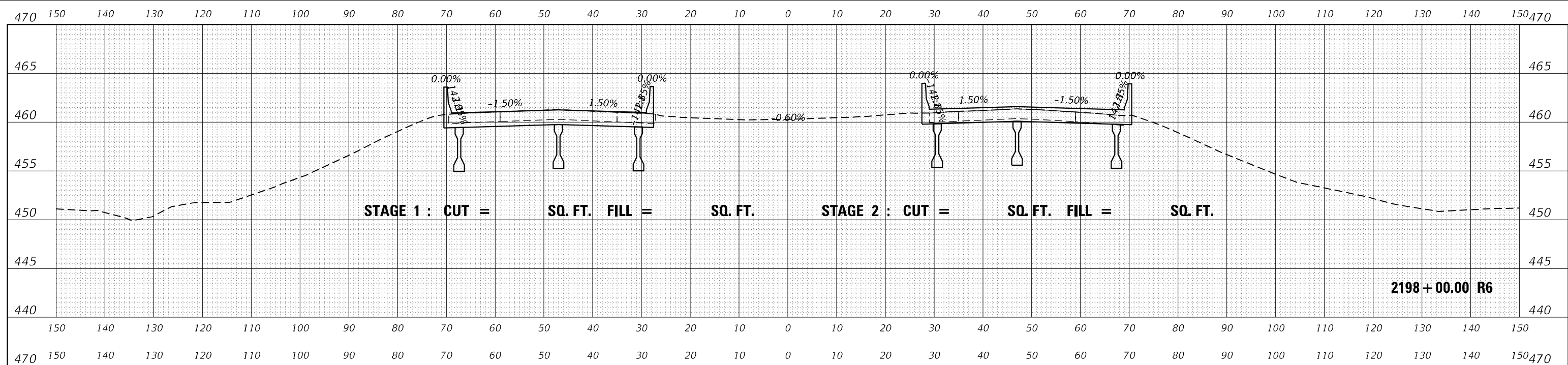
USER NAME = dhawes	DESIGNED -	REVISED -
	DRAWN -	REVISED -
PLOT SCALE = 20,000' / in.	CHECKED -	REVISED -
PLOT DATE = 11/4/2022 - 9:34:00 AM	DATE -	REVISED -

**STATE OF ILLINOIS
DEPARTMENT OF TRANSPORTATION**

INTERSTATE 64 CROSS SECTIONS	
SCALE: 50	SHEET OF SHEETS
STA. 2196+50.00 R6 TO STA. 2197+50.00 R6	

F.A.I. RTE.	SECTION	COUNTY	TOTAL SHEETS	SHEET NO.
I-64	*	JEFFERSON	1052	795
CONTRACT NO. 78604				
ILLINOIS FED. AID PROJECT				

(41-6,41-6-1,41-7)RS-2;BSMART 2023



DATE	
BY	
FINAL SURVEY	
PLOTTED	
TEMPLATE	
NOTE BOOK	
AREAS CHECKED	

DATE	
BY	
ORIGINAL SURVEY	
PLOTTED	
TEMPLATE	
NOTE BOOK	
AREAS CHECKED	

USER NAME = dhawes	DESIGNED -	REVISED -
PLOT SCALE = 20,000 * / in.	DRAWN -	REVISED -
PLOT DATE = 11/4/2022 - 9:34:01 AM	CHECKED -	REVISED -
	DATE -	REVISED -

STATE OF ILLINOIS
DEPARTMENT OF TRANSPORTATION

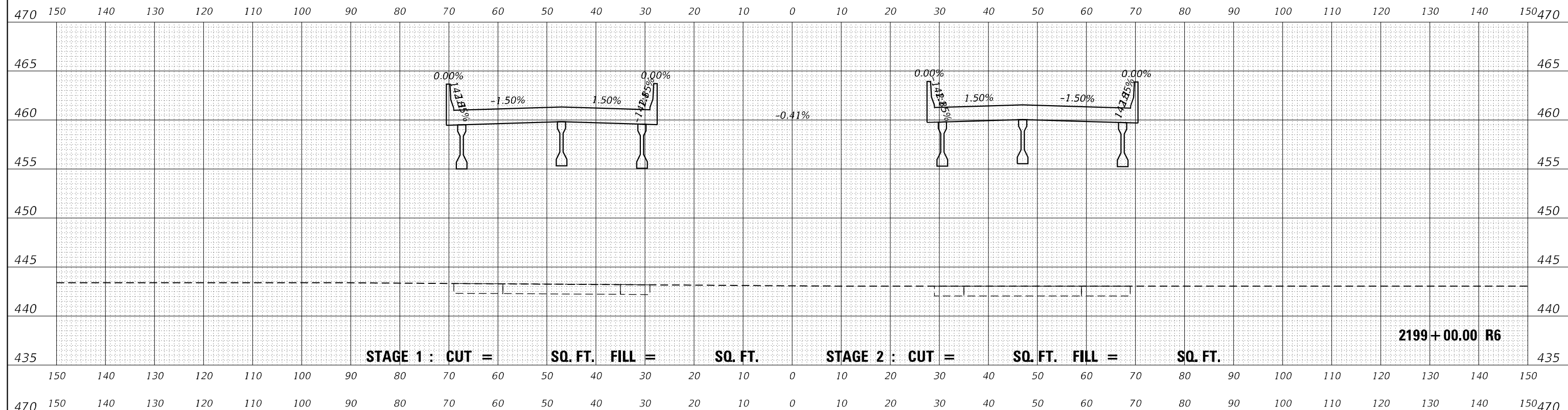
INTERSTATE 64
CROSS SECTIONS

SCALE: 50	SHEET	OF	SHEETS	STA. 2188+22.99 R5 TO STA. 2198+00.00 R6	F.A.I. RTE. I-64	SECTION *	COUNTY JEFFERSON	TOTAL SHEETS 1052	SHEET NO. 796
-----------	-------	----	--------	--	------------------	-----------	------------------	-------------------	---------------

(41-6,41-6-1,41-7)RS-2;BSMART 2023

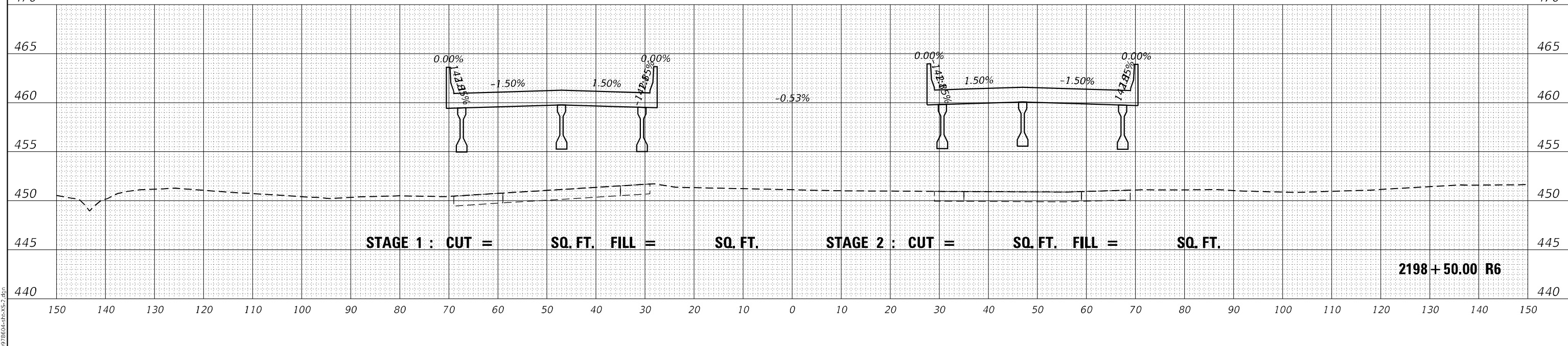
MODEL: D:\mfrh
FILE NAME: ...029\8604-R5-R6.dgn

DATE	
BY	
FINAL SURVEY	SURVEYED
NOTE BOOK	PLOTTED
NO.	TEMPLATE
	AREAS
	CHECKED



STAGE 1 : CUT = SQ. FT. FILL = SQ. FT. STAGE 2 : CUT = SQ. FT. FILL = SQ. FT.

DATE	
BY	
ORIGINAL SURVEY	SURVEYED
NOTE BOOK	PLOTTED
NO.	TEMPLATE
	AREAS
	CHECKED



STAGE 1 : CUT = SQ. FT. FILL = SQ. FT. STAGE 2 : CUT = SQ. FT. FILL = SQ. FT.

MODEL: D:\mtr\...
FILE NAME: ...

USER NAME = dhawes	DESIGNED -	REVISED -
	DRAWN -	REVISED -
PLOT SCALE = 20,0000 * / in.	CHECKED -	REVISED -
PLOT DATE = 11/4/2022 - 9:34:01 AM	DATE -	REVISED -

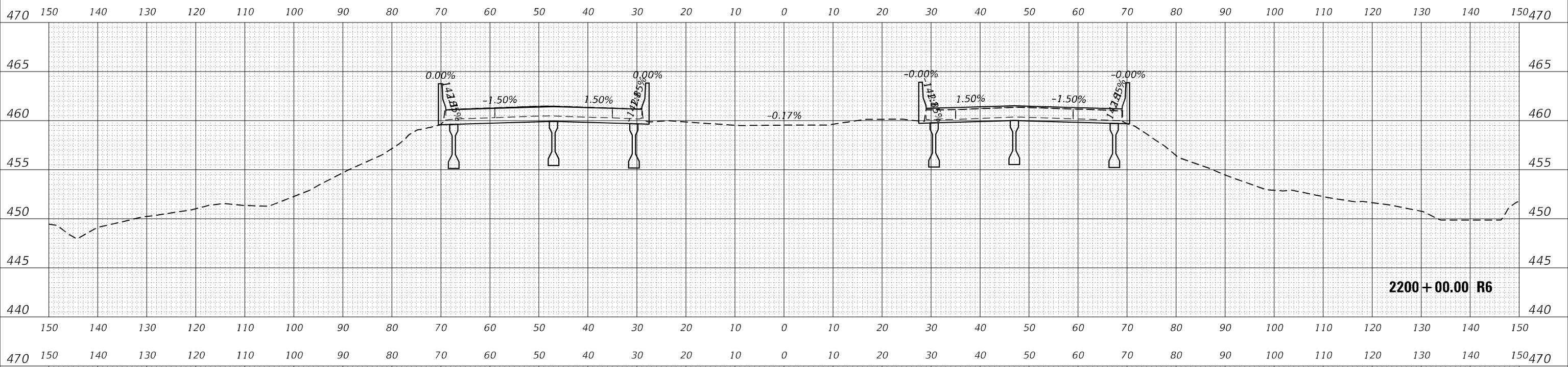
STATE OF ILLINOIS
DEPARTMENT OF TRANSPORTATION

INTERSTATE 64
CROSS SECTIONS
SCALE: 50 SHEET OF SHEETS STA. 2198+50.00 R6 TO STA. 2199+00.00 R6

F.A.I. RTE.	SECTION	COUNTY	TOTAL SHEETS	SHEET NO.
I-64	*	JEFFERSON	1052	797
CONTRACT NO. 78604				

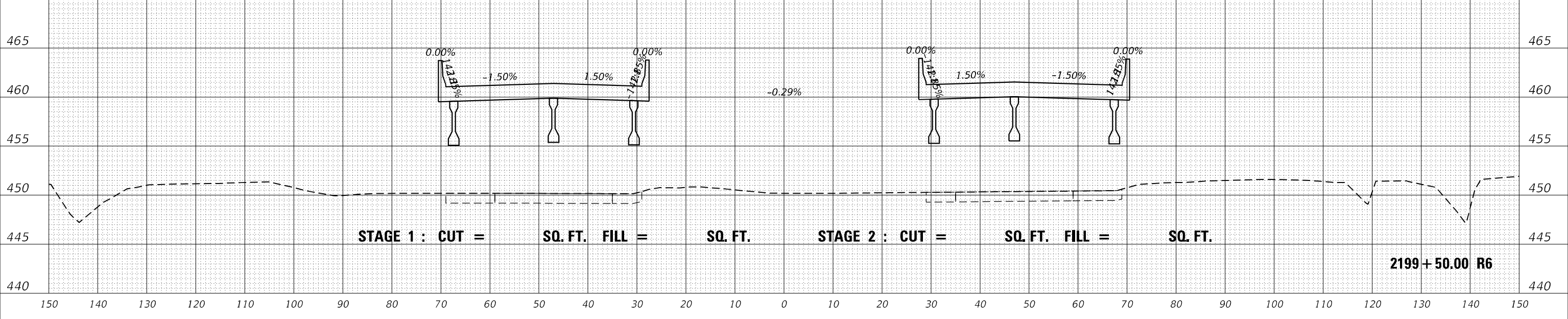
(41-6,41-6-1,41-7)RS-2;BSMART 2023

DATE	
BY	
FINAL SURVEY	SURVEYED
NOTE BOOK	PLOTTED
NO.	AREAS CHECKED



2200+00.00 R6

DATE	
BY	
ORIGINAL SURVEY	SURVEYED
NOTE BOOK	PLOTTED
NO.	AREAS CHECKED



STAGE 1 : CUT = SQ. FT. FILL = SQ. FT. STAGE 2 : CUT = SQ. FT. FILL = SQ. FT.

2199+50.00 R6

MODEL: D:\mfr\...
FILE NAME: ...

USER NAME = dhawes	DESIGNED -	REVISED -
	DRAWN -	REVISED -
PLOT SCALE = 20,0000' / in.	CHECKED -	REVISED -
PLOT DATE = 11/4/2022 - 9:34:02 AM	DATE -	REVISED -

STATE OF ILLINOIS
DEPARTMENT OF TRANSPORTATION

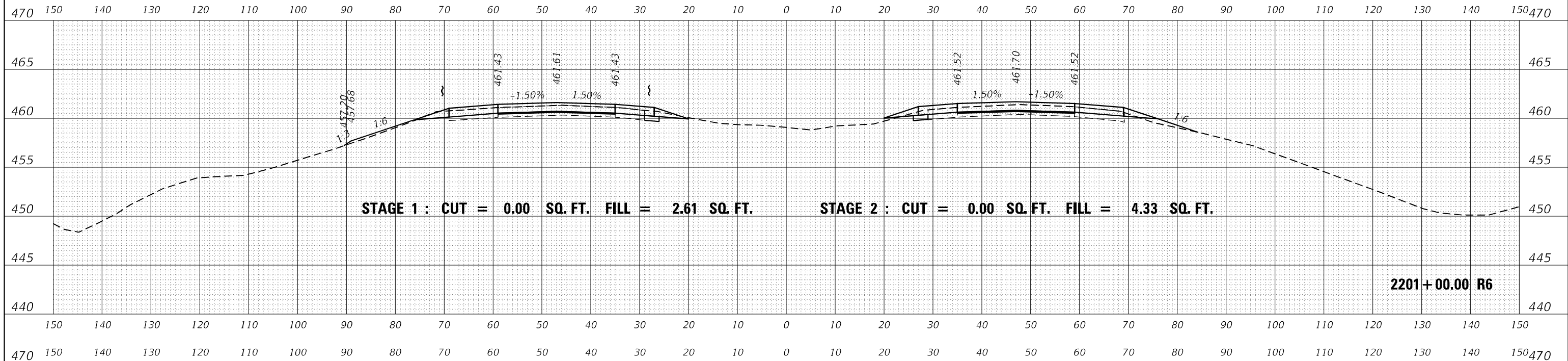
INTERSTATE 64
CROSS SECTIONS

SCALE: 50 SHEET OF SHEETS STA. 2199+50.00 R6 TO STA. 2200+00.00 R6

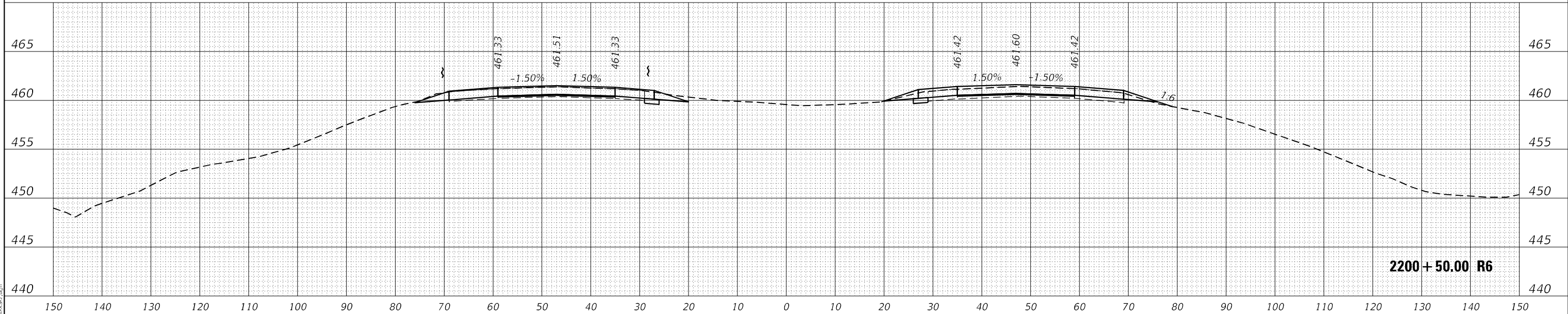
F.A.I. RTE.	SECTION	COUNTY	TOTAL SHEETS	SHEET NO.
I-64	*	JEFFERSON	1052	798
			CONTRACT NO. 78604	

(41-6,41-6-1,41-7)RS-2;BSMART 2023

DATE	
BY	
FINAL SURVEY	SURVEYED
NOTE BOOK	PLOTTED
NO.	TEMPLATE
	AREAS CHECKED



DATE	
BY	
ORIGINAL SURVEY	SURVEYED
NOTE BOOK	PLOTTED
NO.	TEMPLATE
	AREAS CHECKED



MODEL: D:\mtr\...
FILE NAME: ...02\78604-R6-XS-2.dgn

USER NAME = dhawes	DESIGNED -	REVISED -
	DRAWN -	REVISED -
PLOT SCALE = 20,0000 * / in.	CHECKED -	REVISED -
PLOT DATE = 11/4/2022 - 9:34:02 AM	DATE -	REVISED -

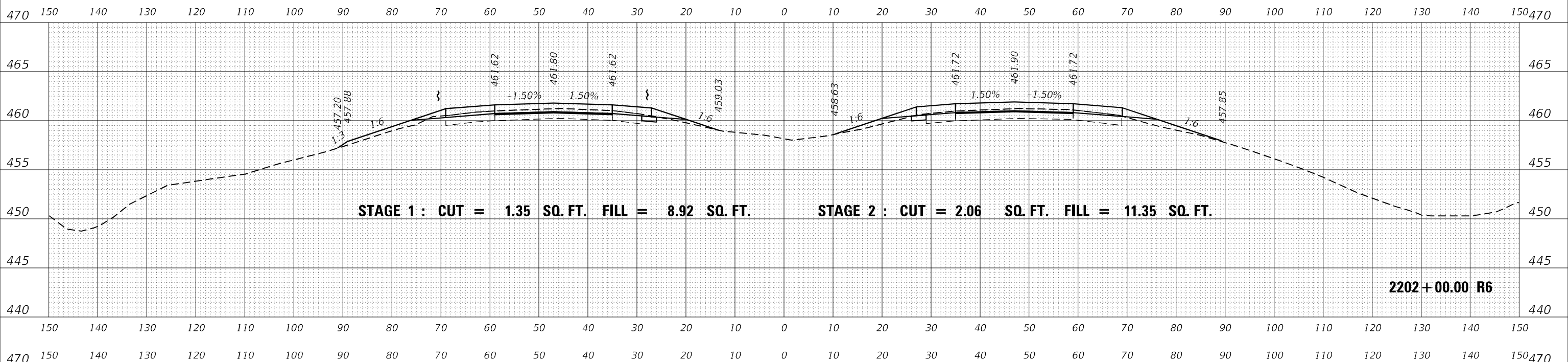
**STATE OF ILLINOIS
DEPARTMENT OF TRANSPORTATION**

**INTERSTATE 64
CROSS SECTIONS**

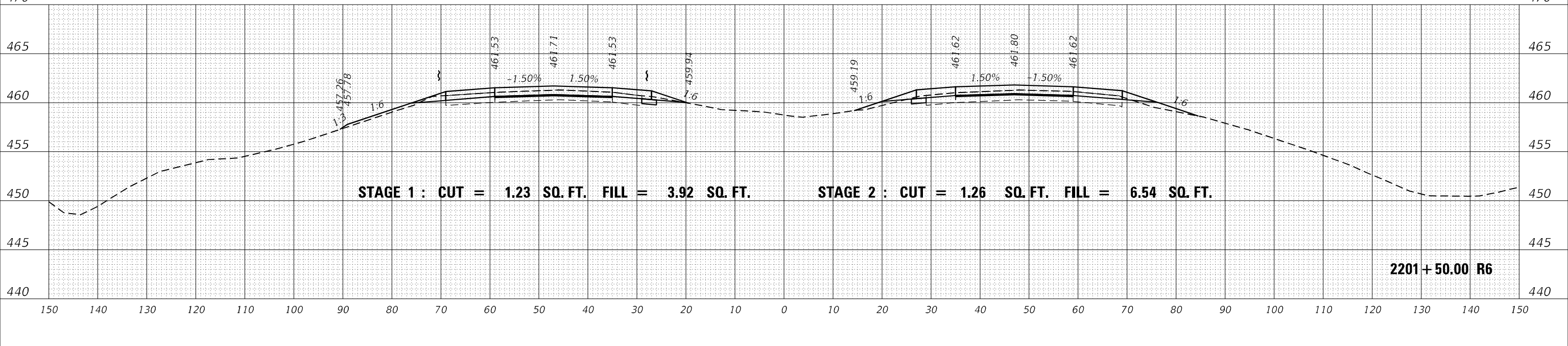
SCALE: 50 SHEET OF SHEETS STA. 2200+50.00 R6 TO STA. 2201+00.00 R6

F.A.I. RTE.	SECTION	COUNTY	TOTAL SHEETS	SHEET NO.
I-64	*	JEFFERSON	1052	799
CONTRACT NO. 78604				

FINAL SURVEY	SURVEYED	DATE
NOTE BOOK	PLOTTED	BY
NO.	TEMPLATE	
	AREAS CHECKED	



ORIGINAL SURVEY	SURVEYED	DATE
NOTE BOOK	PLOTTED	BY
NO.	TEMPLATE	
	AREAS CHECKED	



MODEL: D:\mfr\...
FILE NAME: ...02\78604-R6-XS-2.dgn

USER NAME = dhawes	DESIGNED -	REVISED -
PLOT SCALE = 20,0000 * / in.	DRAWN -	REVISED -
PLOT DATE = 11/4/2022 - 9:34:03 AM	CHECKED -	REVISED -
	DATE -	REVISED -

**STATE OF ILLINOIS
DEPARTMENT OF TRANSPORTATION**

**INTERSTATE 64
CROSS SECTIONS**

SCALE: 50 SHEET OF SHEETS STA. 2201+50.00 R6 TO STA. 2202+00.00 R6

F.A.I. RTE.	SECTION	COUNTY	TOTAL SHEETS	SHEET NO.
I-64	*	JEFFERSON	1052	800
CONTRACT NO. 78604				

* (41-6,41-6-1,41-7)RS-2;BSMART 2023