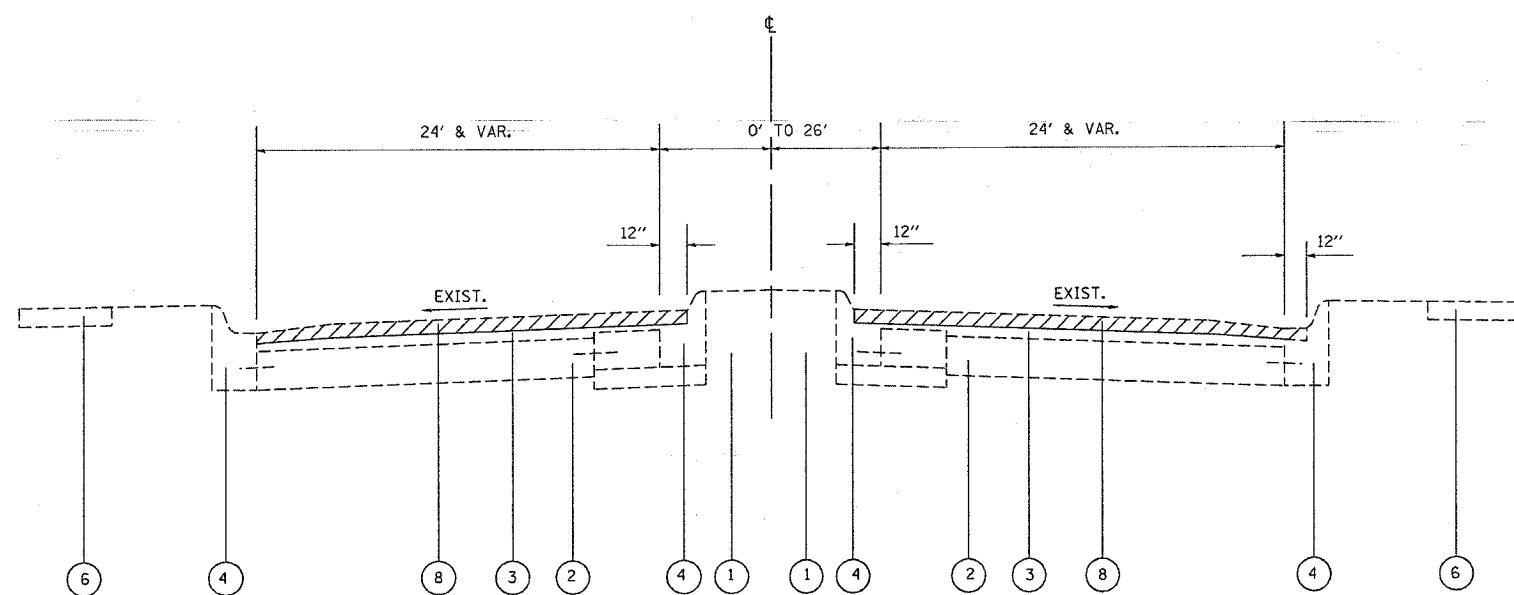


F.A. RTE.	SECTION	COUNTY	TOTAL SHEETS	SHEET NO.
1349	3197 (A&B) RS	COOK	33	6
STA.		TO STA.		
FED. ROAD DIST. NO.	ILLINOIS	FED. AID PROJECT		

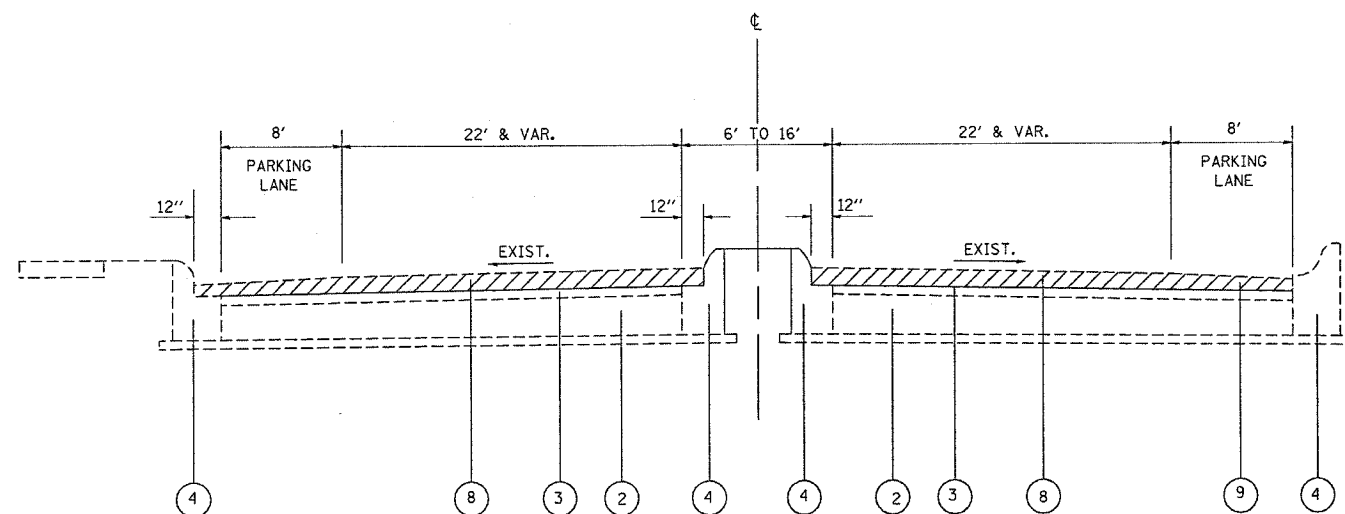
CONTRACT 60721



EXISTING TYPICAL SECTION  
DEVON AVE.  
ALDINE AVE. TO CUMBERLAND AVE.

LEGEND

- ① EXISTING CONCRETE OR GRASS MEDIAN
- ② EXISTING P.C.C. BASE 9"
- ③ EXISTING BITUMINOUS OVERLAY ( $\pm 4\frac{3}{4}$ )
- ④ EXISTING COMBINATION CONCRETE CURB AND GUTTER, TYPE B-6.12 OR B-6.24
- ⑤ EXISTING BITUMINOUS SHOULDER
- ⑤B EXISTING AGGREGATE SHOULDER, TYPE B
- ⑥ EXISTING CONCRETE SIDEWALK
- ⑦ EXISTING BITUMINOUS OVERLAY AFTER MILLING
- ⑧ PROP. BITUMINOUS SURFACE REMOVAL,  $2\frac{1}{4}$ "
- ⑨ PROP. BITUMINOUS SURFACE REMOVAL, (VARIABLE DEPTH)  $1\frac{1}{2}$ " TO 1"
- ⑩ PROP. BITUMINOUS CONCRETE SURFACE COURSE, SUPERPAVE MIX "D", N70,  $1\frac{1}{2}$ " TO 1"
- ⑪ PROP. POLYMERED LEVELING BINDER (MACHINE METHOD), SUPERPAVE, IL-4-75, N50,  $\frac{3}{4}$ "
- ⑫ PROP. BITUMINOUS CONCRETE SURFACE COURSE, SUPERPAVE MIX "D", N70,  $1\frac{1}{2}$ "
- ⑭ PROP AGGREGATE SHOULDER TYPE B



EXISTING TYPICAL SECTION  
DEVON AVE.  
CUMBERLAND AVE. TO TALCOTT RD.

REVISIONS	
NAME	DATE

ILLINOIS DEPARTMENT OF TRANSPORTATION  
**DEVON AVENUE**  
**DESPLAINES RIVER RD.**  
**TO CANFIELD RD.**  
**EXISTING TYPICAL SECTIONS**  
SCALE: VERT. \_\_\_\_\_  
HORIZ. \_\_\_\_\_  
DATE \_\_\_\_\_ DRAWN BY \_\_\_\_\_  
CHECKED BY \_\_\_\_\_

PLOT DATE = 10/28/2004  
FILE NAME = c:\projects\110499\110499a.m32  
REFERENCE = REF2