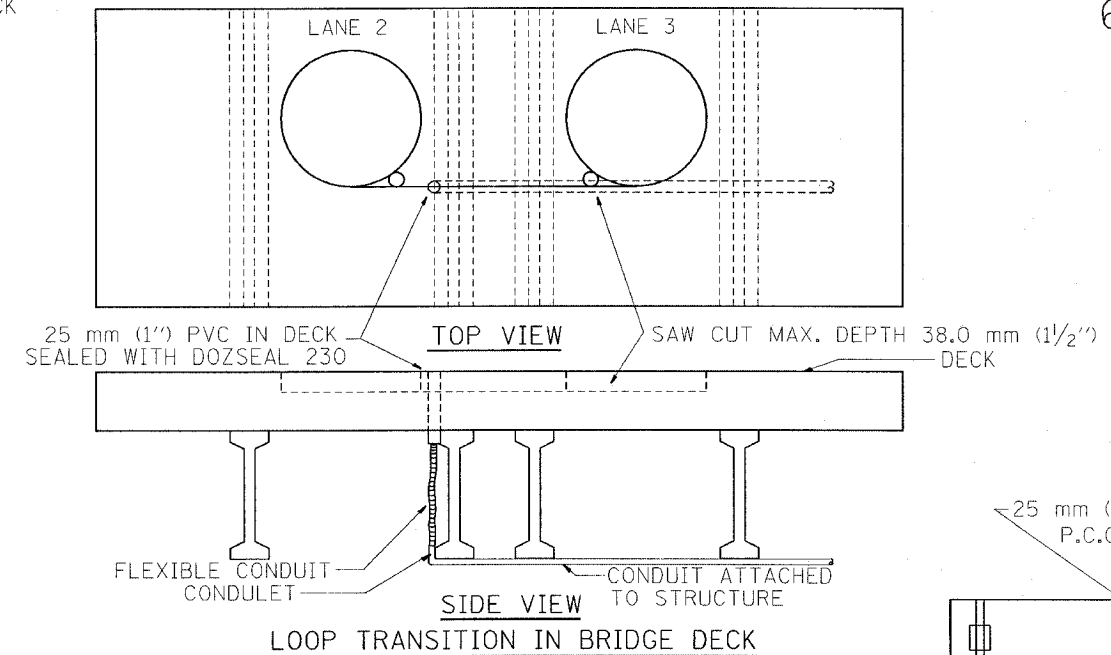
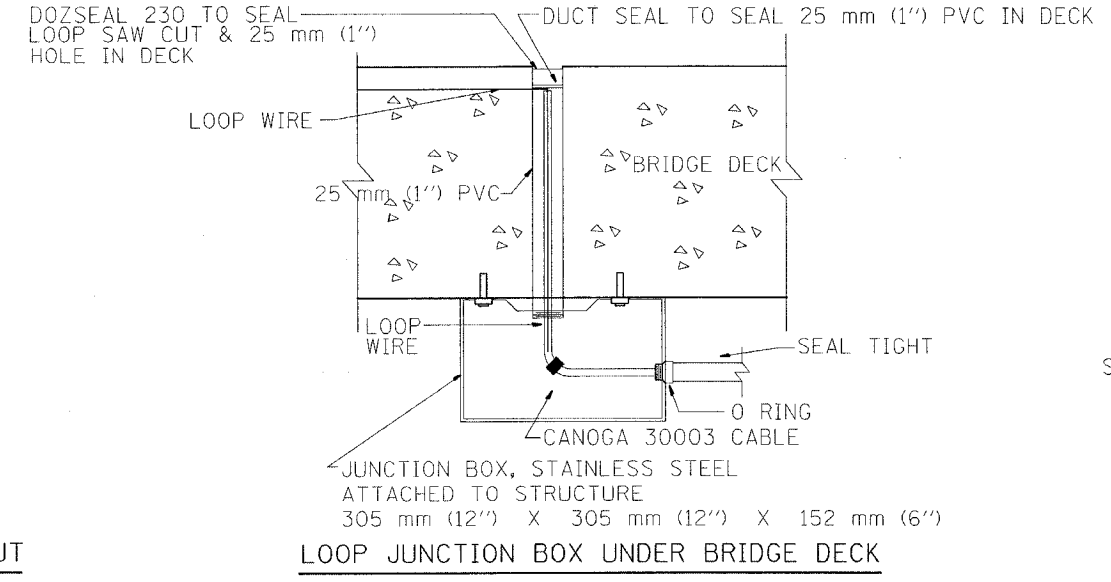
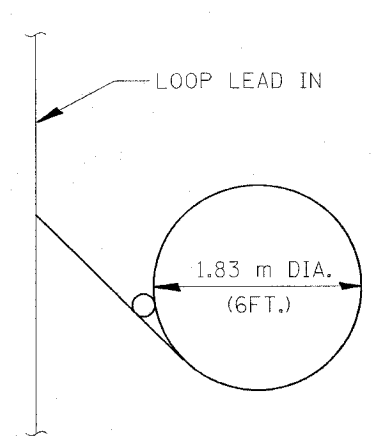


F.A.I. RTE.	SECTION	COUNTY	TOTAL SHEETS	SHEET NO.
90	0102.5-1	COOK	62	35
STA.		TO STA.		
FED. ROAD DIST. NO. 1		ILLINOIS FED. AID PROJECT		

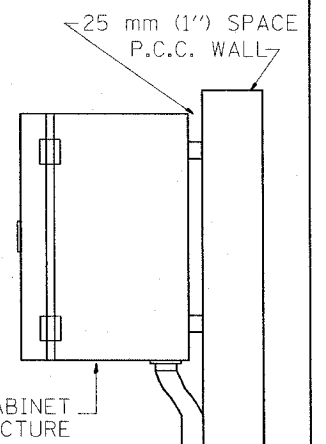
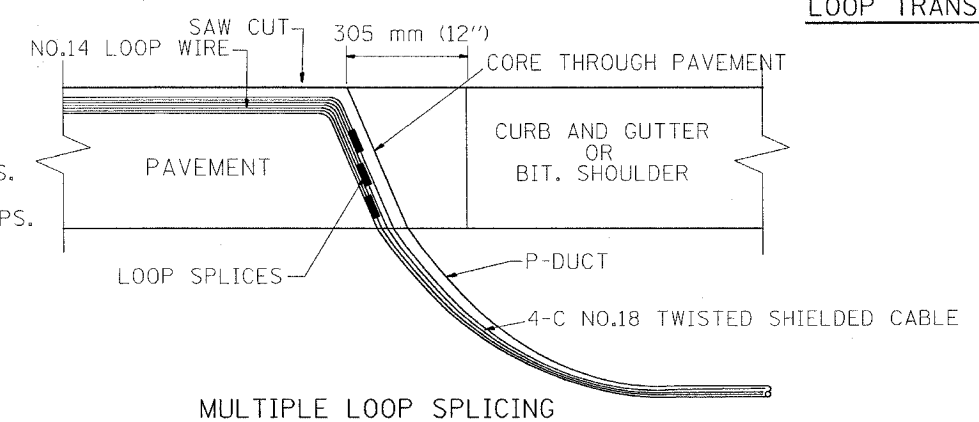
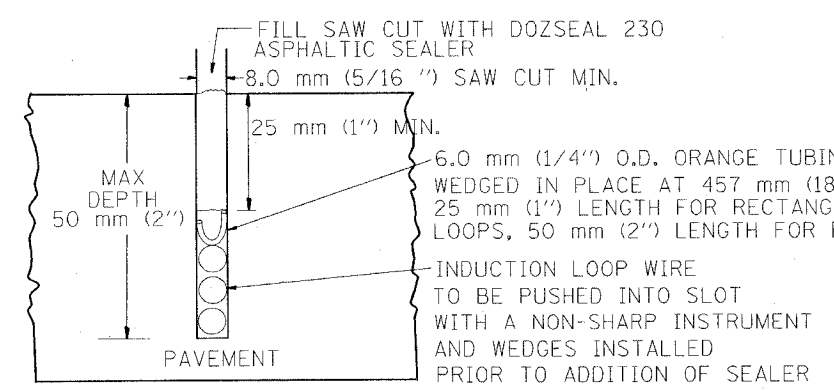
62794



TYPICAL LOOP SAWCUT LAYOUT

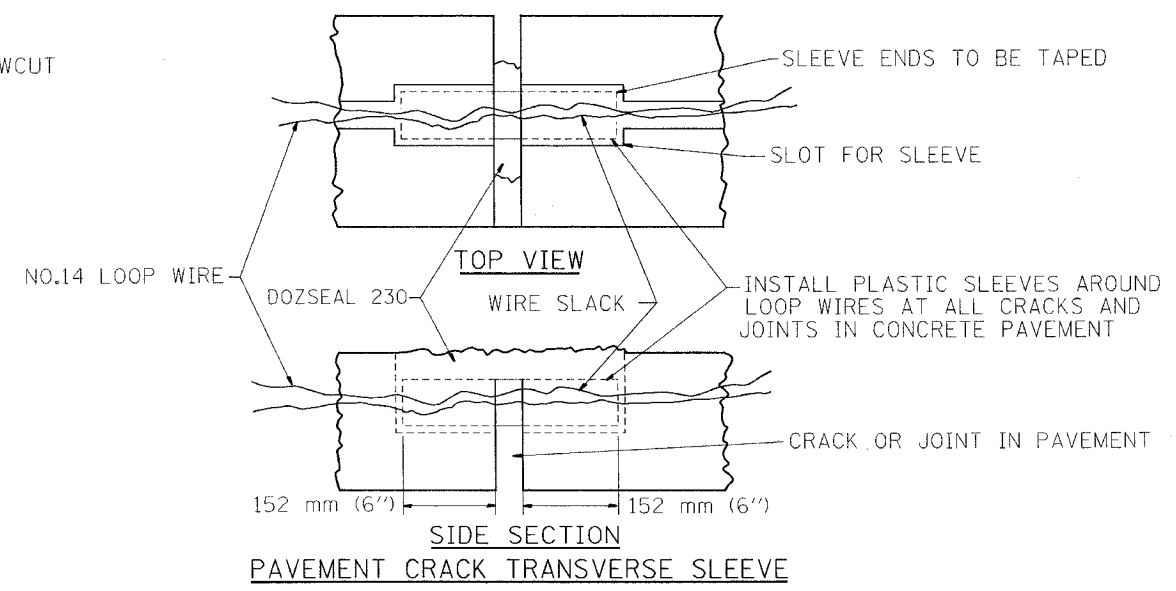
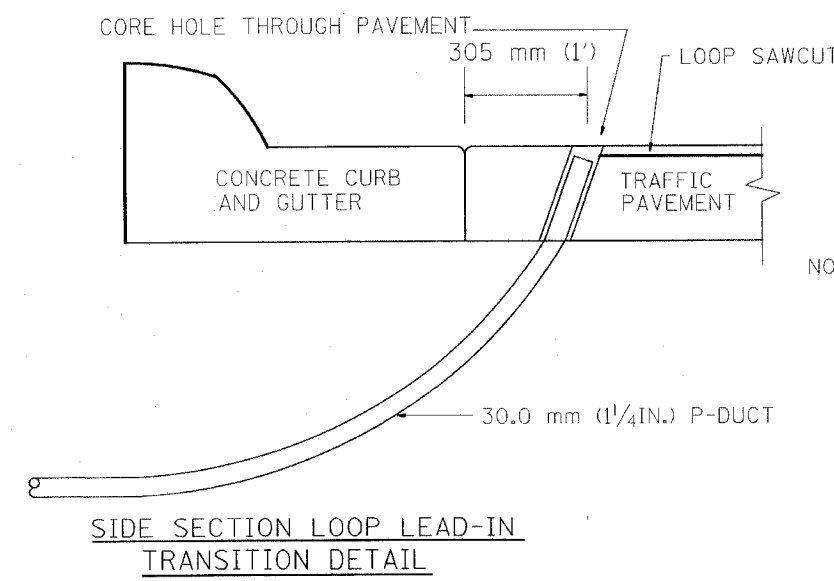
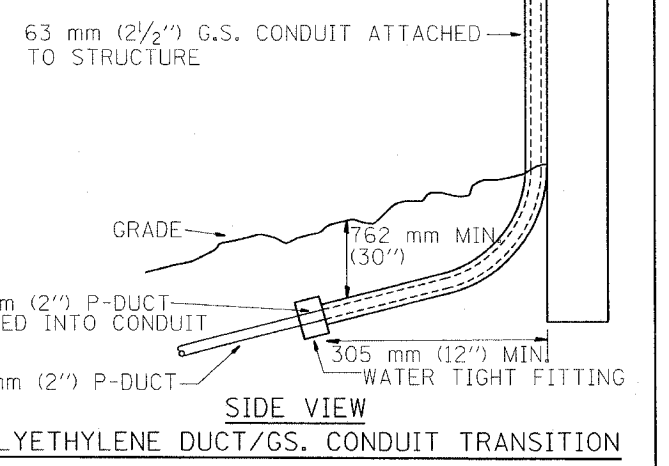
LOOP JUNCTION BOX UNDER BRIDGE DECK

LOOP TRANSITION IN BRIDGE DECK



LOOP CROSS SECTION IN PAVEMENT

MULTIPLE LOOP SPLICING



REVISIONS	
NAME	DATE
R.L.	6/94
R.L.	3/95
T.C.	11/95
R.L.	05/96
T.C.	10/96

ILLINOIS DEPARTMENT OF TRANSPORTATION
TRAFFIC SYSTEMS CENTER

**LOOP, CONDUIT & DUCT
INSTALLATION DETAILS**

SCALE: VERT. NONE
HORIZ.

DATE 6-22-94

DRAWN BY G.M.
CHECKED BY R.L.

08:46:20 10/29/2004
RD-TYPME.TDGN
RF=

VI-4184