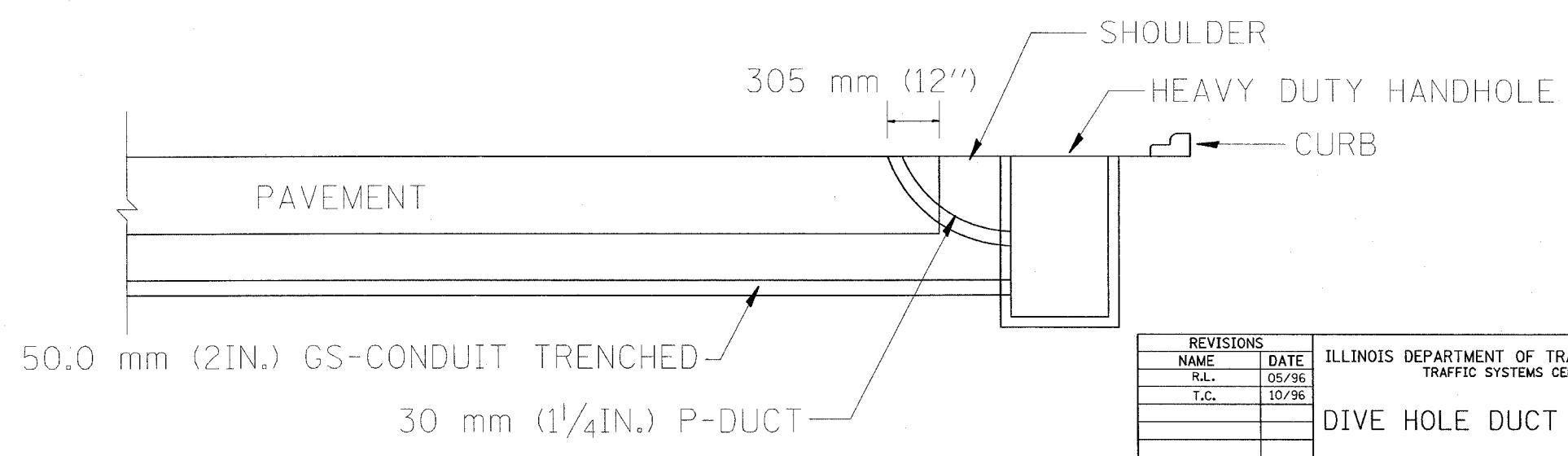
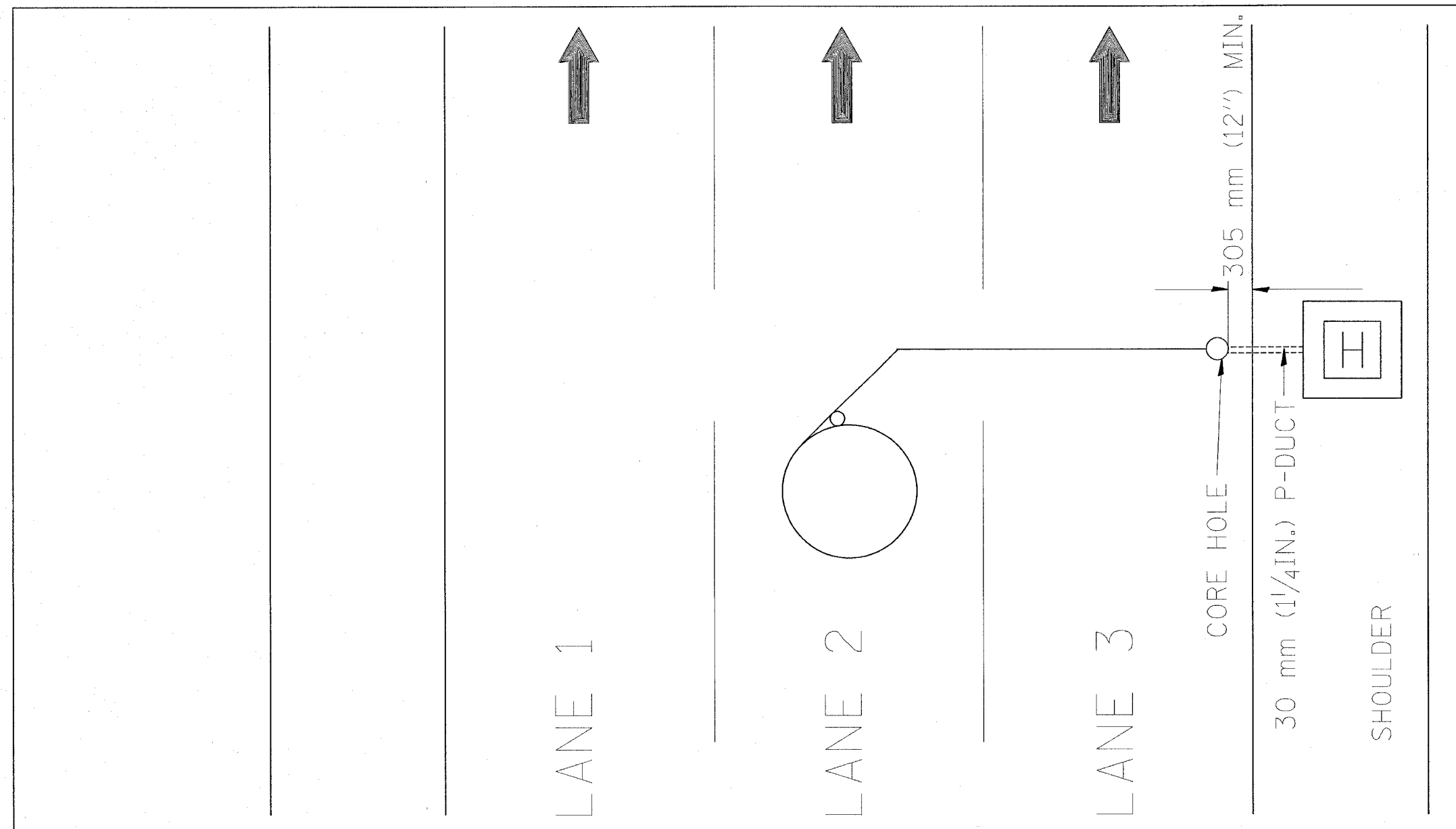


F.A.I. RTE.	SECTION	COUNTY	TOTAL SHEETS	SHEET NO.
90	0102.5-1	COOK	62	37
STA.		TO STA.		
FED. ROAD DIST. NO. 1		ILLINOIS FED. AID PROJECT		
62794				



REVISIONS	
NAME	DATE
R.L.	05/96
T.C.	10/96

ILLINOIS DEPARTMENT OF TRANSPORTATION
TRAFFIC SYSTEMS CENTER

DIVE HOLE DUCT SYSTEM

SCALE: VERT. NONE
HORIZ. DATE 11/7/95

DRAWN BY G.M.
CHECKED BY R.L.