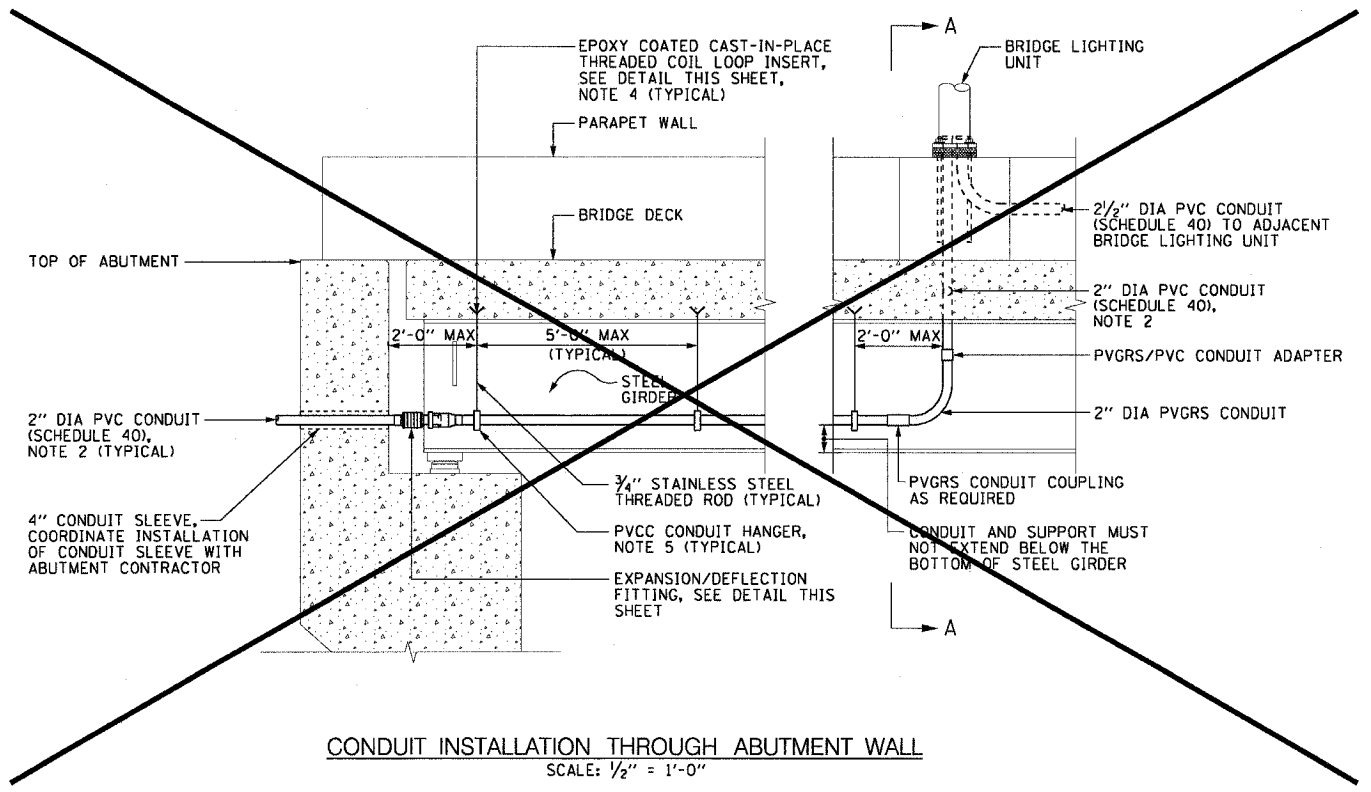


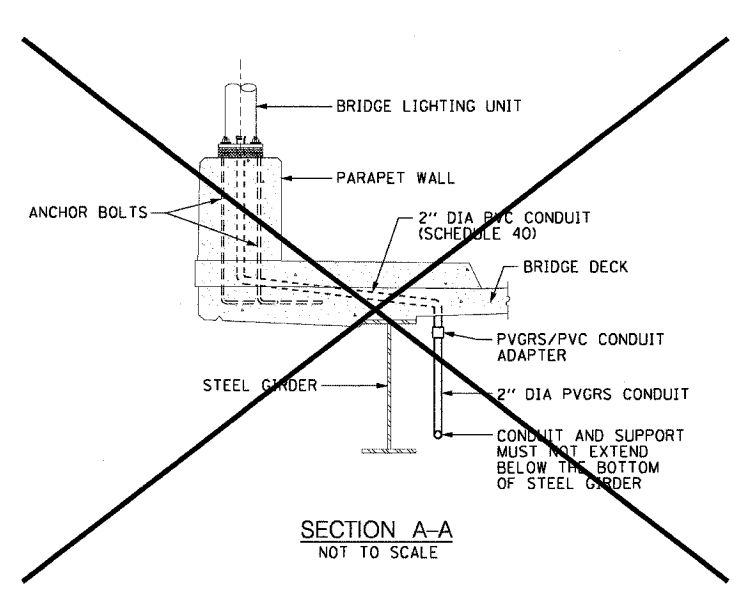
F.A.I. RTE.	SECTION	COUNTY	TOTAL SHEETS	SHEET NO.
90/94	2004-065TS	COOK	62	28
STA. -	TO STA. -			
FED. ROAD DIST. NO. 1 ILLINOIS FED. AID PROJECT				
62804				

NOTES:

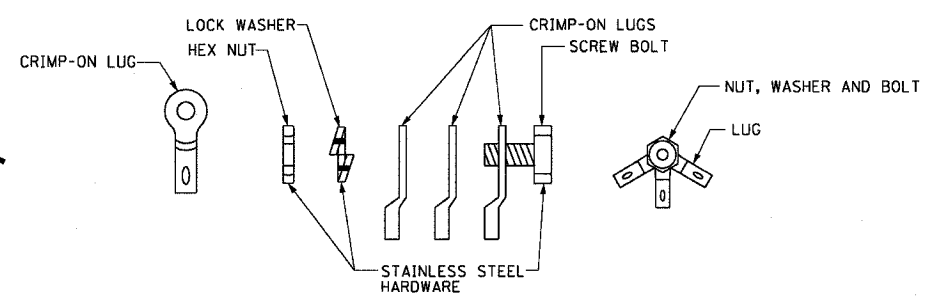
1. SEE DRAWINGS E-1 AND E-2 FOR CDOT ELECTRICAL GENERAL NOTES, SYMBOLS, AND ABBREVIATIONS.
2. NOT USED.
3. NOT USED.
4. NOT USED.
5. NOT USED.
6. NOT USED.



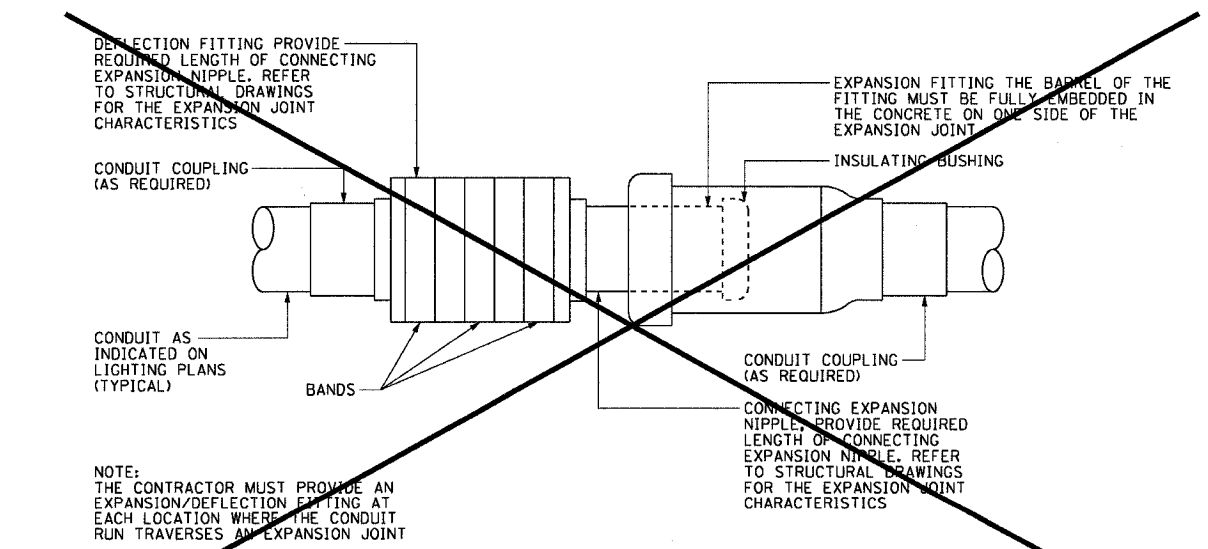
CONDUIT INSTALLATION THROUGH ABUTMENT WALL
SCALE: 1/2" = 1'-0"



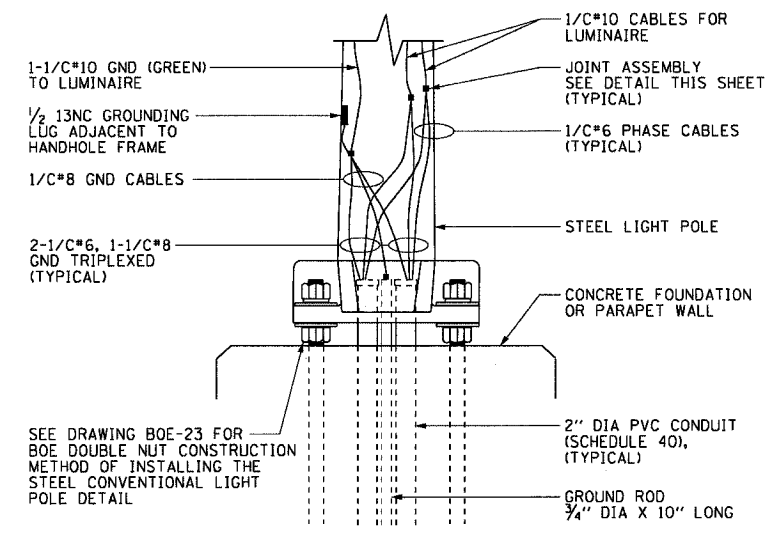
SECTION A-A
NOT TO SCALE



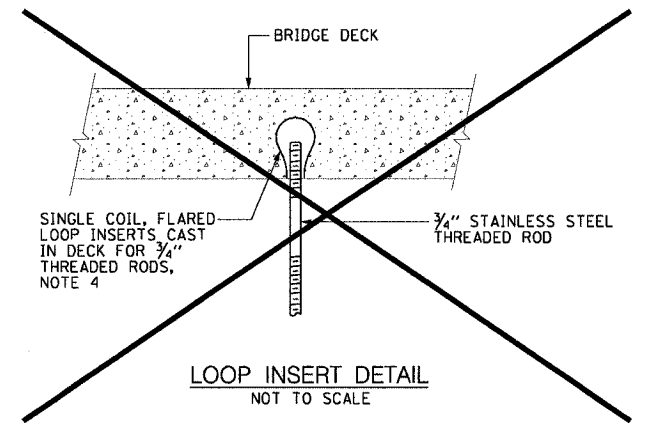
JOINT ASSEMBLY DETAILS
NOT TO SCALE



CONDUIT EXPANSION / DEFLECTION COUPLING DETAIL
EXPANSION/DEFLECTION FITTING, 0-2/GEDNEY AX/DX OR APPROVED EQUAL
NOT TO SCALE



CDOT CONVENTIONAL POLE BASE WIRING DETAIL
NOT TO SCALE



LOOP INSERT DETAIL
NOT TO SCALE

REVISIONS	
NAME	DATE

ILLINOIS DEPARTMENT OF TRANSPORTATION
F.A.I. 90/94 (DAN RYAN EXPRESSWAY)
TRAFFIC SIGNALS AT 47TH STREET WITH
WENTWORTH AVENUE - LASALLE STREET AND
WELLS STREET - WENTWORTH AVENUE
MISCELLANEOUS ELECTRICAL DETAILS

SCALE: AS SHOWN
DATE: October 29, 2004

DRAWN BY: HAR
CHECKED BY: WDS

10/27/2004 08:54:35 AM m:\p40468\elect\14-cmfr-9a\sh\contract\9810\0596\00132a.dwg