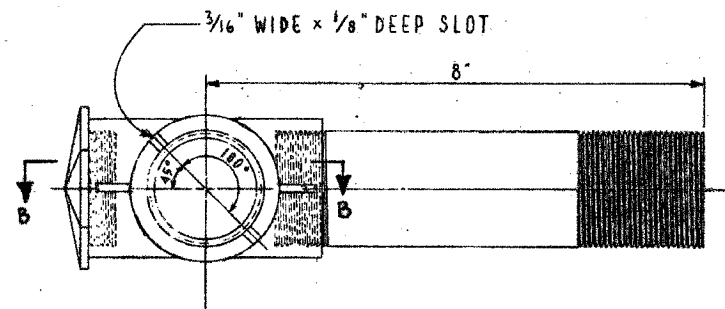
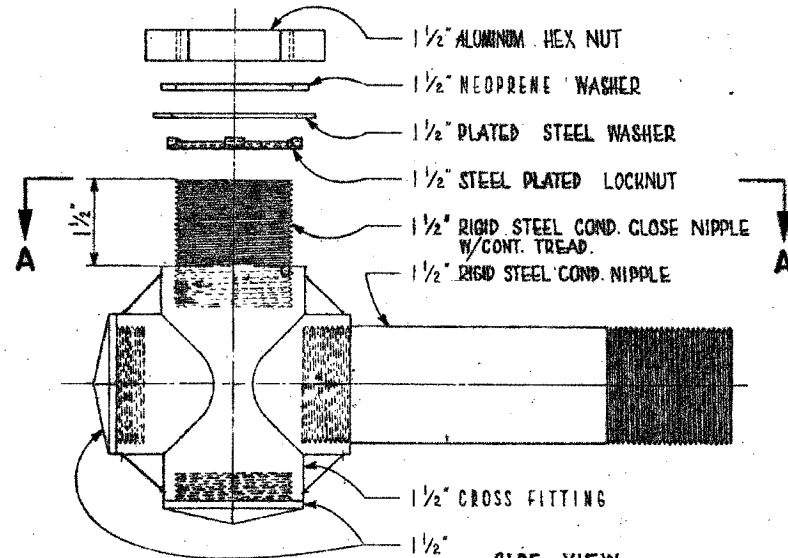


F.A.I. RTE.	SECTION	COUNTY	TOTAL SHEETS	SHEET NO.
90/94	2004-065TS	COOK	62	34
STA.	TO STA.			
FED. ROAD DIST. NO. 1 ILLINOIS FED. AID PROJECT				

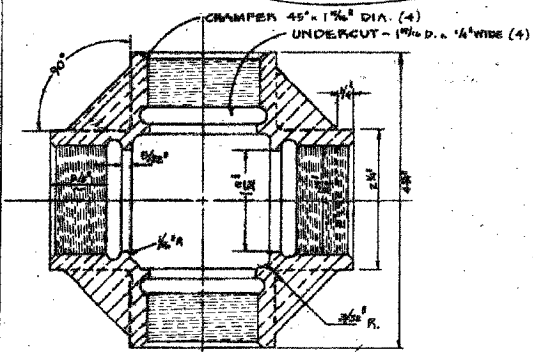
62804



TOP VIEW A-A



SIDE VIEW



SECTION B-B

**TRAFFIC SIGNAL
BRACKET ARM ASSEMBLY**

CITY OF CHICAGO
DEPT. OF STREETS & SANITATION
BUREAU OF ELECTRICITY
DIVISION OF ELEC. ENGINEERING

REVISION	DESIGNED BY	CHECKED BY	ENGINEER
A 1-23-81	E. GERULIS	W.C. /ms.	L. GUCCI
B 12K-6-88			
C	DRYD BY CONST.		
D	REPUTED COR.		
E			
F			

741

SCALE: 1/2" = 1" DATE: 8-21-74

DELETE SET SCREWS
ADDED SECTION B-B

REVISIONS	
NAME	DATE

BOE-7

ILLINOIS DEPARTMENT OF TRANSPORTATION
F.A.I. 90/94 (DAN RYAN EXPRESSWAY)
TRAFFIC SIGNALS AT 47TH STREET WITH
WENTWORTH AVENUE - LASALLE STREET AND
WELLS STREET - WENTWORTH AVENUE

BOE STANDARD DETAILS

SCALE: NOT TO SCALE DRAWN BY: HAR
DATE: October 29, 2004 CHECKED BY: WDS