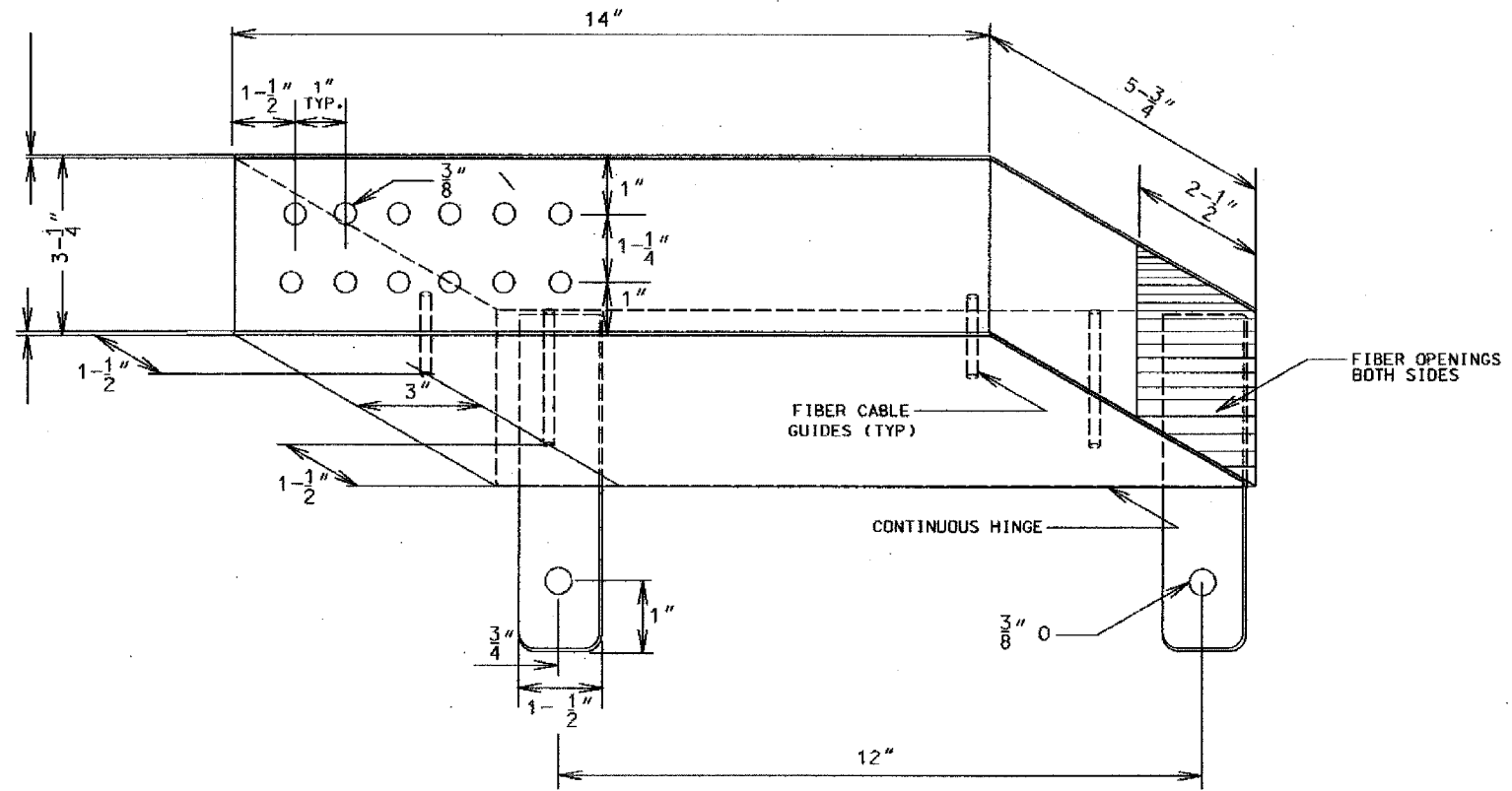


F.A.I. RTE.	SECTION	COUNTY	TOTAL SHEETS	SHEET NO.
90/94	2004-065TS	COOK	62	54
STA.	TO STA.			
FED. ROAD DIST. NO. 1	ILLINOIS	FED. AID PROJECT		

62804



FIBER OPTIC PATCH PANEL
FOR CITY OF CHICAGO
TRAFFIC SIGNAL CONTROLLER

THIS PANEL WAS SUPPLIED FOR C.B.D. INTERCONNECT
AND IS TO BE THE STANDARD FOR ALL CITY INSTALLATIONS

**FIBER OPTIC
PATCH PANEL**

CITY OF CHICAGO
DEPT. OF STREETS AND SANITATION
BUREAU OF ELECTRICITY
DIVISION OF ELECTRICAL ENGINEERING

DRAFTSMAN ROBERT IVY	CHIEF DRAFTSMAN ROBERT CARTER	ENGINEER WALTER TROMPKA
SUPERVISING ENGINEER ELEC. DESIGN	DWG. NO. 909	
ENGINEER OF ELECTRICITY	DATE: 11-01-02	
DEPT. SUPT. OF ELECTRICITY	SCALE:	
DEPUTY TRANSMISSIONS	SIZE: 1	

BOE-33A

REVISIONS	
NAME	DATE

ILLINOIS DEPARTMENT OF TRANSPORTATION
F.A.I. 90/94 (DAN RYAN EXPRESSWAY)
TRAFFIC SIGNALS AT 47TH STREET WITH
WENTWORTH AVENUE - LASALLE STREET AND
WELLS STREET - WENTWORTH AVENUE

BOE STANDARD DETAILS

SCALE: NOT TO SCALE DRAWN BY: HAR
DATE: October 29, 2004 CHECKED BY: WDS

m:\p4\0466\elect\4-ent\909\contract 909\boe33a.dwg

10/27/2004 08:56:25 AM