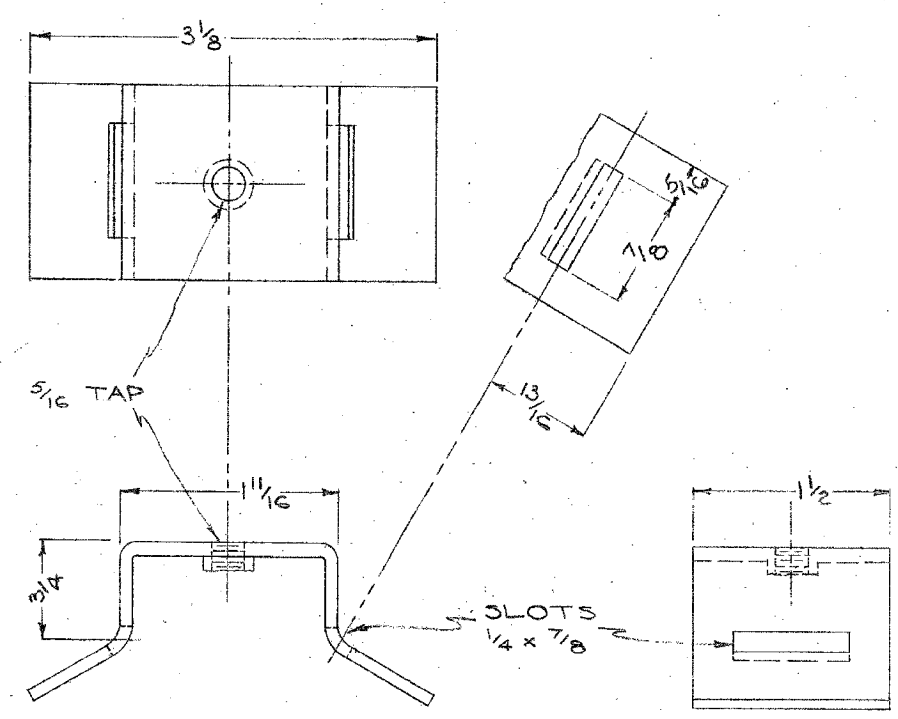


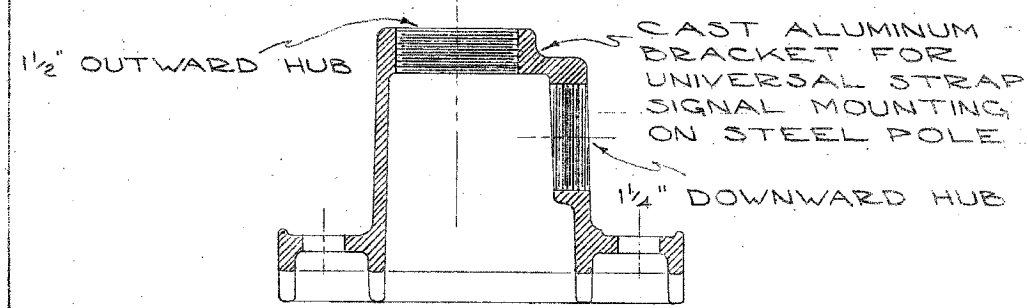
F.A.I. RTE.	SECTION	COUNTY	TOTAL SHEETS	SHEET NO.
90/94	2004-065TS	COOK	62	60
STA.	TO STA.			
FED. ROAD DIST. NO. 1 ILLINOIS FED. AID PROJECT				
62804				

BANDING FITTING FOR POLE MOUNTING JUNCTION BOX



MATERIAL: STAINLESS STEEL - 4 1/16 x 1 1/2 x 3/32

BANDING FITTING FOR POLE MOUNTING SIGNALS



MATERIAL: CAST ALUMINUM

CROUSE HINDS
TL-3301-WITHOUT DOWNWARD HUB
TL-3302 WITH 1/4" DOWNWARD HUB

BANDING FITTINGS FOR POLE MOUNTING TRAFFIC SIGNAL

CITY OF CHICAGO
DEPT. OF STREETS AND SANITATION
DIVISION OF ELECTRICAL ENGINEERING

DRAWN: T.T.I.
CHECKED: [Signature]
DATE: 11-14-04

11934

CTE ENGINEERS
CONSER TOWNSEND ENVIRONMENTAL ENGINEERS, INC.
303 EAST WACKER DRIVE, SUITE 600
CHICAGO, ILLINOIS 60601-5202, PHONE: (312) 938-0300

BOE-43

REVISIONS	
NAME	DATE

ILLINOIS DEPARTMENT OF TRANSPORTATION
F.A.I. 90/94 (DAN RYAN EXPRESSWAY)
TRAFFIC SIGNALS AT 47TH STREET WITH
WENTWORTH AVENUE - LASALLE STREET AND
WELLS STREET - WENTWORTH AVENUE

BOE STANDARD DETAILS

SCALE: NOT TO SCALE
DATE: October 29, 2004

DRAWN BY: HAR
CHECKED BY: WDS

10/27/2004 08:56:31 AM