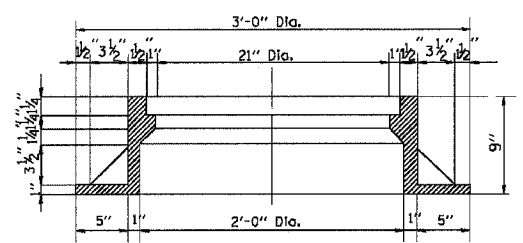
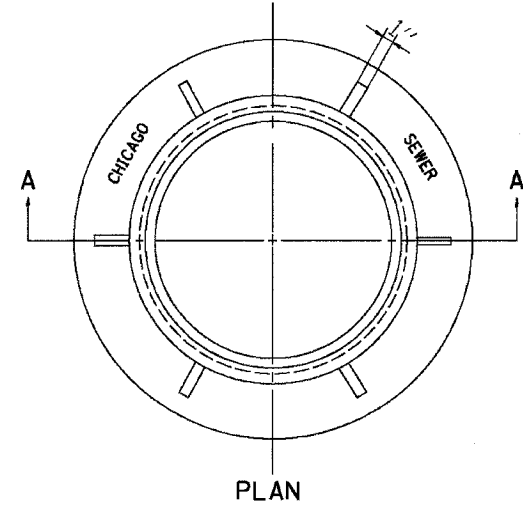
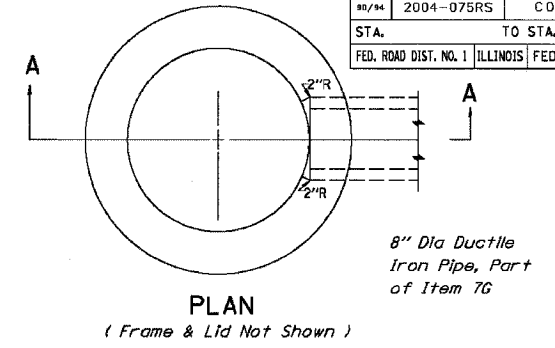
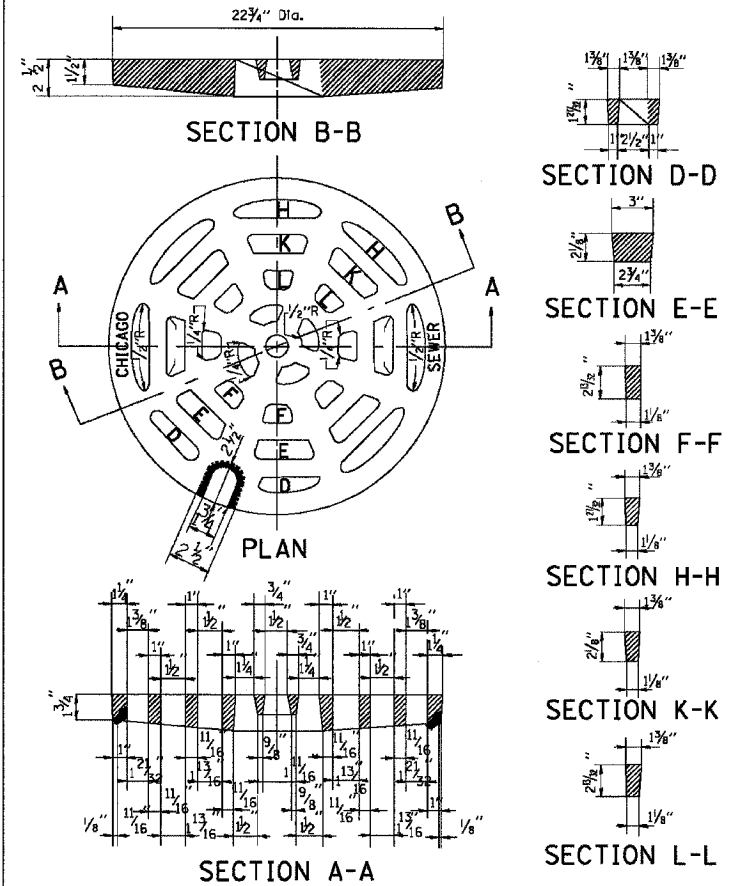


F.A. RTE.	SECTION	COUNTY	TOTAL SHEETS	SHEET NO.
#/M	2004-075RS	COOK	65	47
STA.	TO STA.			
FED. ROAD DIST. NO. 1	ILLINOIS FED. AID PROJECT			

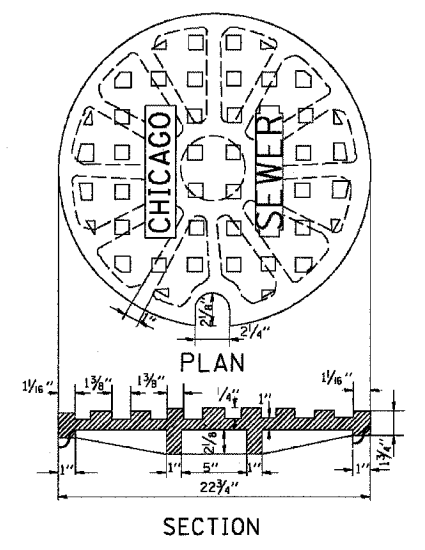
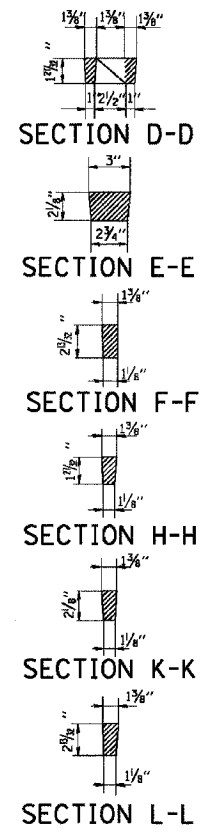


NOTE: Metal Plates Must Be Furnished For Perforated Lids On Manholes

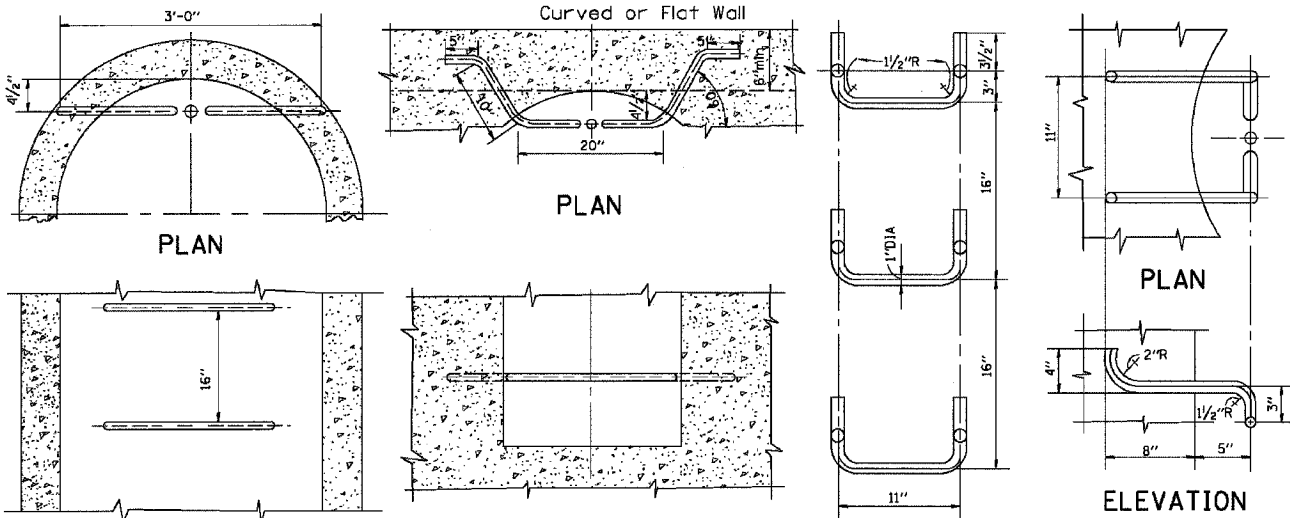
CHICAGO STANDARD MANHOLE FRAME
Scale: 1/2"=1'-0"
Material: Cast Iron



PERFORATED LID FOR CATCH BASINS & MANHOLES
Scale: 2"=1'-0"
Material: Cast Iron

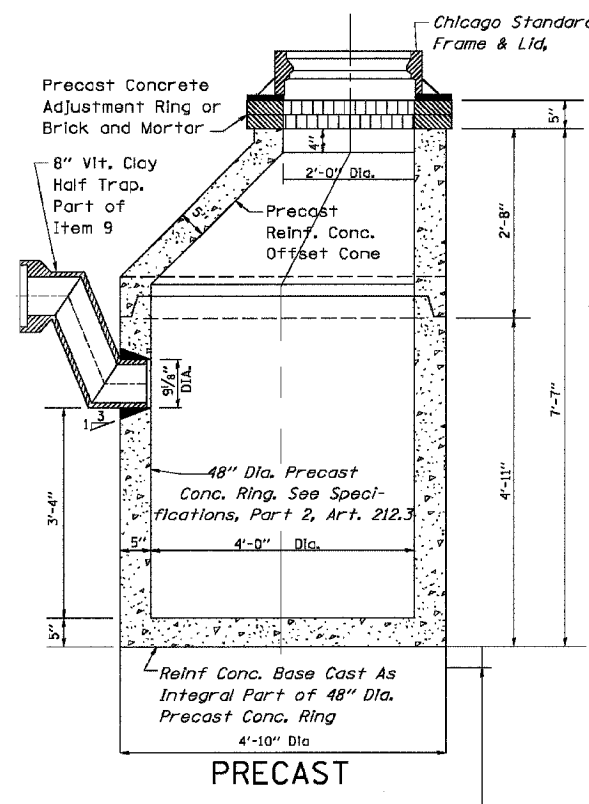


SOLID LID FOR MANHOLES
Scale: NONE
Material: Cast Iron



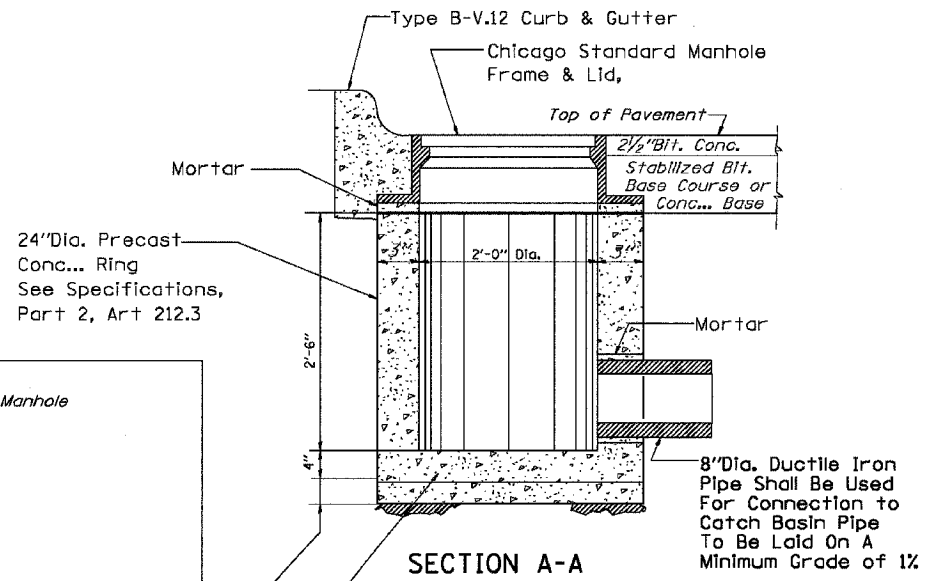
STANDARD LADDER RUNGS

All Ladder Rungs Shall Be Aluminum or Galvanized Wrought Iron As Specified in Specifications, Part 2, Article 214.2. Rungs Shall Be 1" Diameter or of A Shape Having An Equivalent Cross-Sectional Area



Note: 6" Minimum Granular Embedment Under All Catch Basins

STANDARD CATCH BASINS
Scale: 3/4"=1'-0"
Item 9



STANDARD INLETS
Scale: 1"=1'-0"
Item 12
This Inlet Detail Is Sometimes Referred To As "Chicago Standard Inlet, Type A"

NOTE: INLETS SHALL NOT BE CONSTRUCTED UNLESS IT IS IMPOSSIBLE TO CONSTRUCT A CATCH BASIN. THE CONTRACTOR SHALL HAVE THE DEPARTMENT OF SEWERS APPROVAL BEFORE CONSTRUCTING INLETS

REVISIONS	
NAME	DATE
M. GOMEZ	01/25/01

CITY OF CHICAGO
DEPARTMENT OF SEWERS
ENGINEERING DIVISION

ILLINOIS DEPARTMENT OF TRANSPORTATION
CITY OF CHICAGO
CATCH BASIN, INLET AND
MANHOLE DETAILS

SCALE: VERT. HORIZ. DATE 10/18/2002

DRAWN BY
CHECKED BY
B0600-13 (B047)
REVISION DATE: 01/25/01