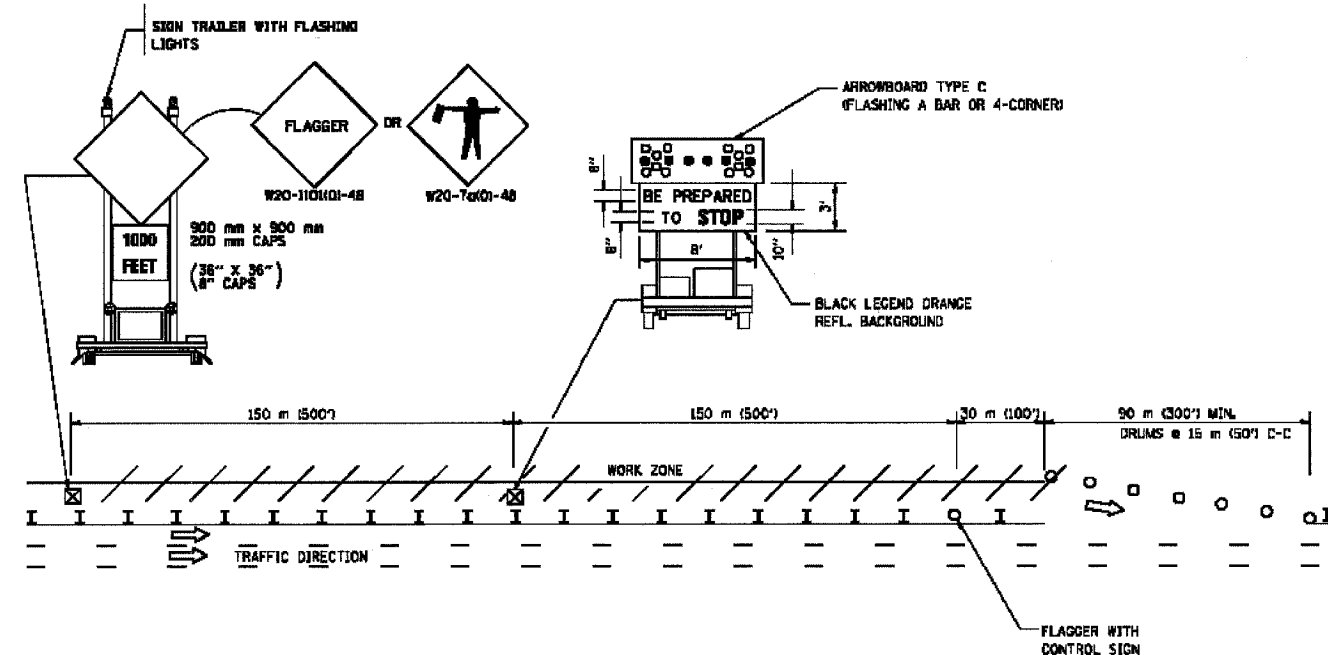


F.A. R/YE.	SECTION	COUNTY	TOTAL SHEETS	SHEET NO.
08/73	2004-075RS	COOK	65	51
STA.	TO STA.			
FED. ROAD DIST. NO.	ILLINOIS	FED. AID PROJECT		

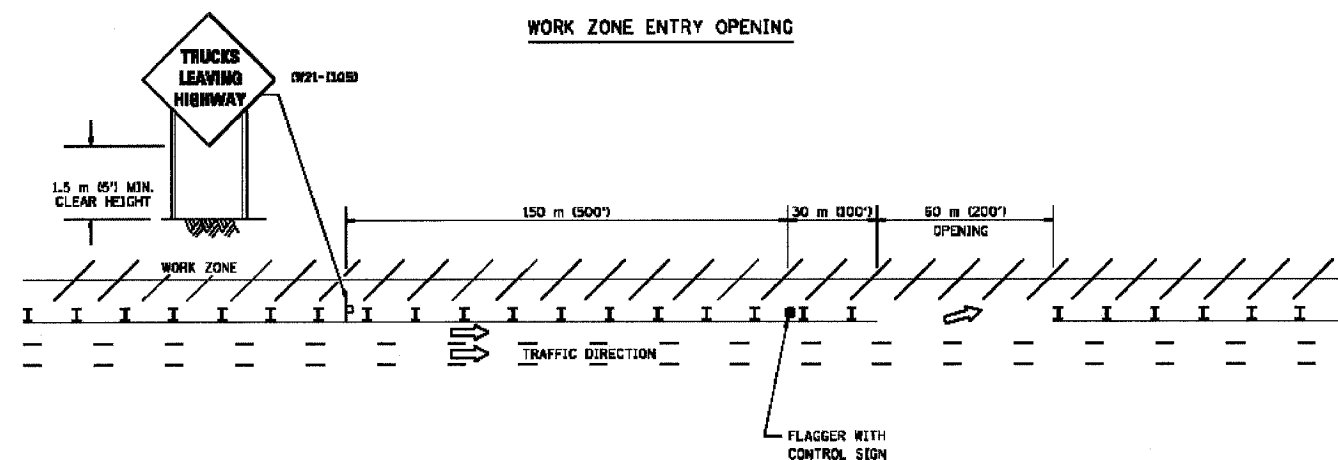
62814

SIGNING FOR FLAGGING OPERATIONS AT WORK ZONE OPENINGS

WORK ZONE EXIT OPENING



WORK ZONE ENTRY OPENING



NOTES:

1. The Arrowboard, the Flagger Ahead trailer mounted sign, and the Trucks Leaving Highway sign shall be removed or turned away from traffic and the exit and entry openings shall be closed when the flagging operation ceases.
2. Work Zone Exit Openings should be a minimum of one half mile apart.
3. Exiting the work zone at any place other than at a Work Zone Exit Opening will be prohibited.
4. All vehicles shall enter the work zone at entry openings, using their turn signals to warn motorists.

ALL DIMENSIONS ARE IN MILLIMETERS (INCHES) UNLESS OTHERWISE SHOWN

ILLINOIS DEPARTMENT OF TRANSPORTATION

SIGNING FOR FLAGGING OPERATIONS AT WORK ZONE OPENINGS

REVISIONS	
NAME	DATE
DWS	8/98
JAF	4/03

SCALE: NONE
DATE 05/06/2003

DRAWN BY CADD
CHECKED BY TC-18

REVISION DATE 04/24/03