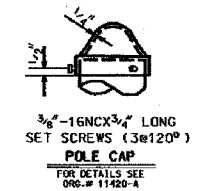
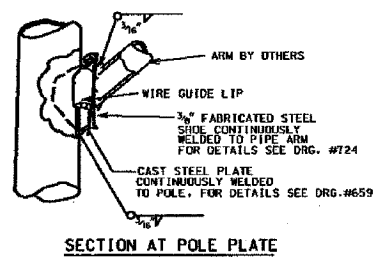


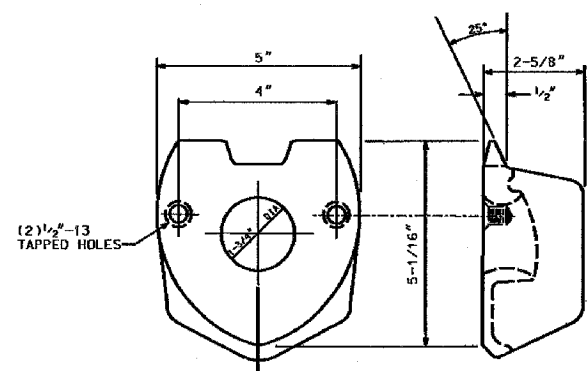
F.A.I. R.T.E.	SECTION	COUNTY	TOTAL SHEETS	SHEET NO.
90/94	2004-099TS	COOK	65	44
STA.		TO STA.		
FED. ROAD DIST. NO. 1		ILLINOIS	FED. AID PROJECT	
62840				



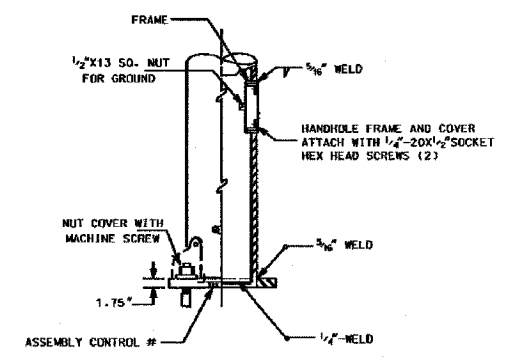
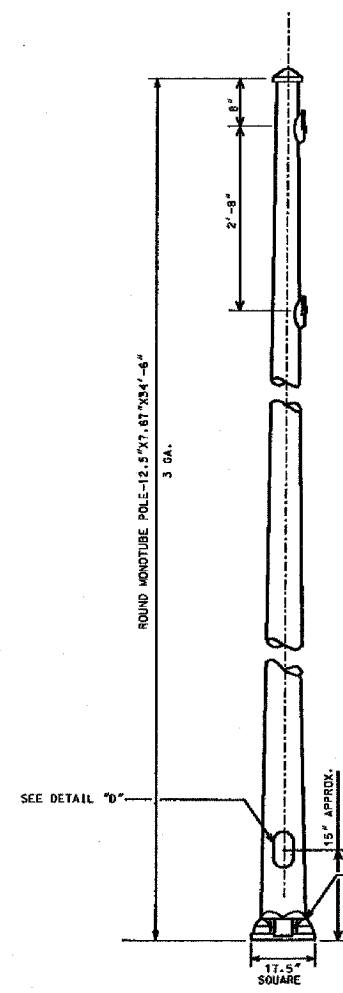
3/8" - 16NC x 3/4" LONG SET SCREWS (3 @ 120°)
POLE CAP
FOR DETAILS SEE DRG. # 11420-A



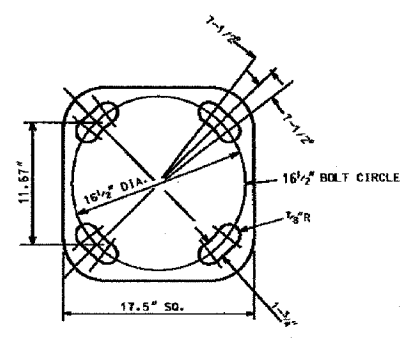
SECTION AT POLE PLATE



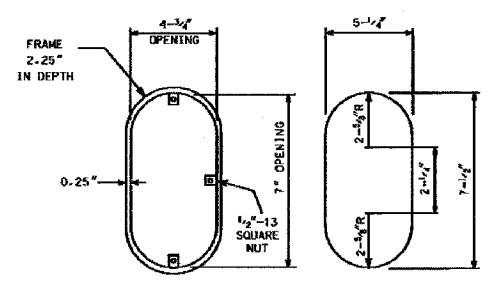
2 BOLT MAST ARM ATTACHMENT
FOR DETAILS SEE DRG. # 659 MATERIAL: CAST STEEL



DETAIL "D"



DETAIL "A"
BOLT SLOTS



FRAME DOOR
HANDHOLE DETAIL

7.67"x12.5" STEEL / 34'-6" POLE 3 GAUGE		
CITY OF CHICAGO DEPT. OF STREETS AND SANITATION BUREAU OF ELECTRICITY DIVISION OF ELECTRICAL ENGINEERING		
DRAFTSMAN ROBERT IVY	CHIEF DRAFTSMAN ROBERT CARTER	ENGINEER RON POOL
SUPERVISING ENGINEER	ELEC. DESIGN ENGR.	
ENGINEER OF ELECTRICITY		DWG. NO. 827
GENL. Supt. OF ELECTRICITY		10-03-01
DEPUTY COMMISSIONER		

CTE ENGINEERS
CONSECO TOWNSEND ENGINEERS, INC.
303 EAST WACKER DRIVE, SUITE 600
CHICAGO, ILLINOIS 60601-5202, PHONE: (312) 938-0300

REVISIONS	
NAME	DATE

ILLINOIS DEPARTMENT OF TRANSPORTATION
F.A.I. 90/94 (DAN RYAN EXPRESSWAY)
TRAFFIC SIGNALS AT 63RD STREET AND
WENTWORTH AVENUE/ WELLS STREET
BOE STANDARD DETAILS

SCALE: NOT TO SCALE
DATE: November 05, 2004
DRAWN BY: HAR
CHECKED BY: WDS

BOE-18

11/04/2004 09:02:22 AM m:\p040468\elect\14-civil\911\contract\sec8\boe0908080822.sty