

\* - ADDITIONAL THICKNESS OF SHOULDER PAVEMENT ADJACENT TO WEST-BOUND CONNECTOR PCC BASE COURSE, 14" SHALL BE INCLUDED IN COST OF "PCC SHOULDERS, 9"\*

**NOTE:**

FULL-DEPTH TRANSVERSE JOINT BETWEEN EXISTING AND PROPOSED PAVEMENT PER IDOT STD. 442101. INCLUDED IN THE COST OF PCC BASE COURSE, 14".

**LEGEND**

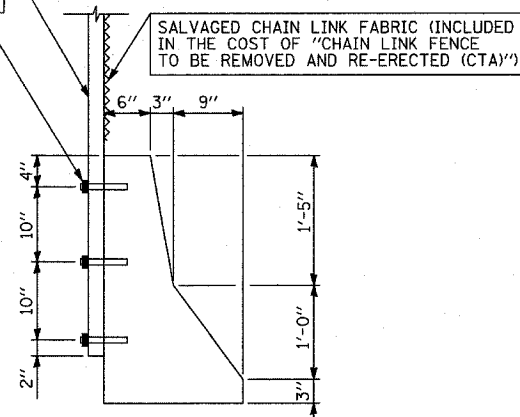
TO BE REMOVED

**BITUMINOUS MIXTURE REQUIREMENTS**

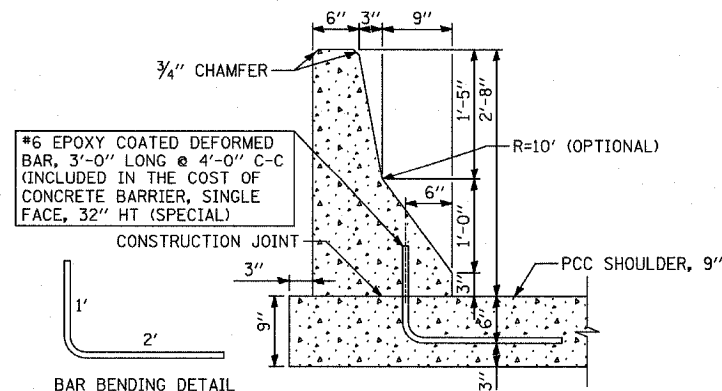
ITEM	AC TYPE	VOIDS	RAP %
BIT. CONC. SURFACE COURSE, SUPERPAVE, MIX "D", N70	PG 64-22	4%@70 Gyr	10
POLY. LEVELING BINDER (MACHINE METHOD), SUPERPAVE, IL-4.75, N50	SBS/SBR PG 76-28	2.5%@50 Gyr.	0
BITUMINOUS SHOULDER, SUPERPAVE, 6"	PG 58-22	2%@30 Gyr	50

SALVAGED FENCE POST (INCLUDED IN THE COST OF "CHAIN LINK FENCE TO BE REMOVED AND RE-ERECTED (CTA)")

3/4" GALVANIZED EXPANSION BOLTS, 4" MIN. EMBEDMENT IN CONCRETE (TYP) (INCLUDED IN THE COST OF "CHAIN LINK FENCE TO BE REMOVED AND RE-ERECTED (CTA)")



**CONNECTION DETAIL: FENCE ATTACHED TO "CONCRETE BARRIER, SINGLE FACE, 32" HEIGHT (SPECIAL)" AT CTA**



**CONCRETE BARRIER, SINGLE FACE, 32" HEIGHT (SPECIAL) DETAIL**

REVISIONS	
NAME	DATE