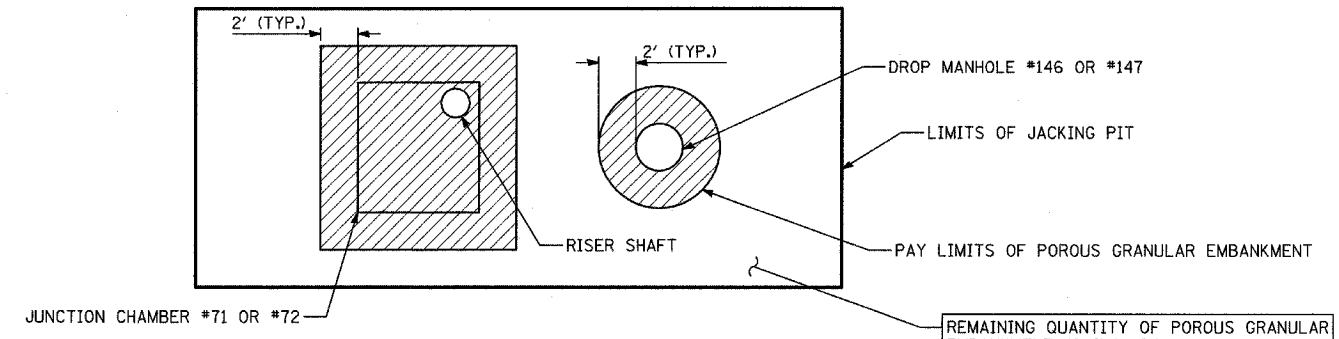
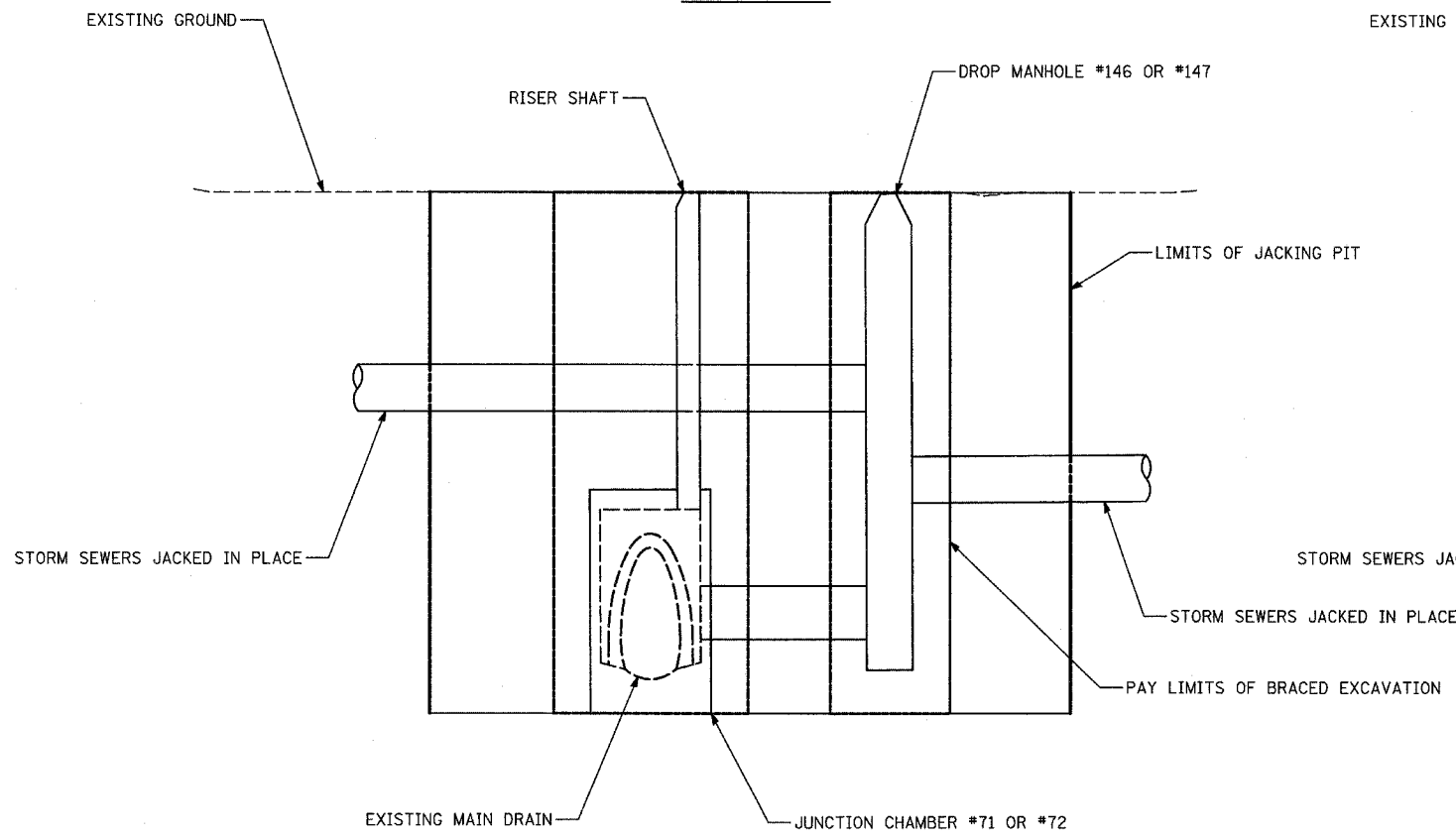


PAY LIMITS OF BRACED EXCAVATION (PLAN VIEW)



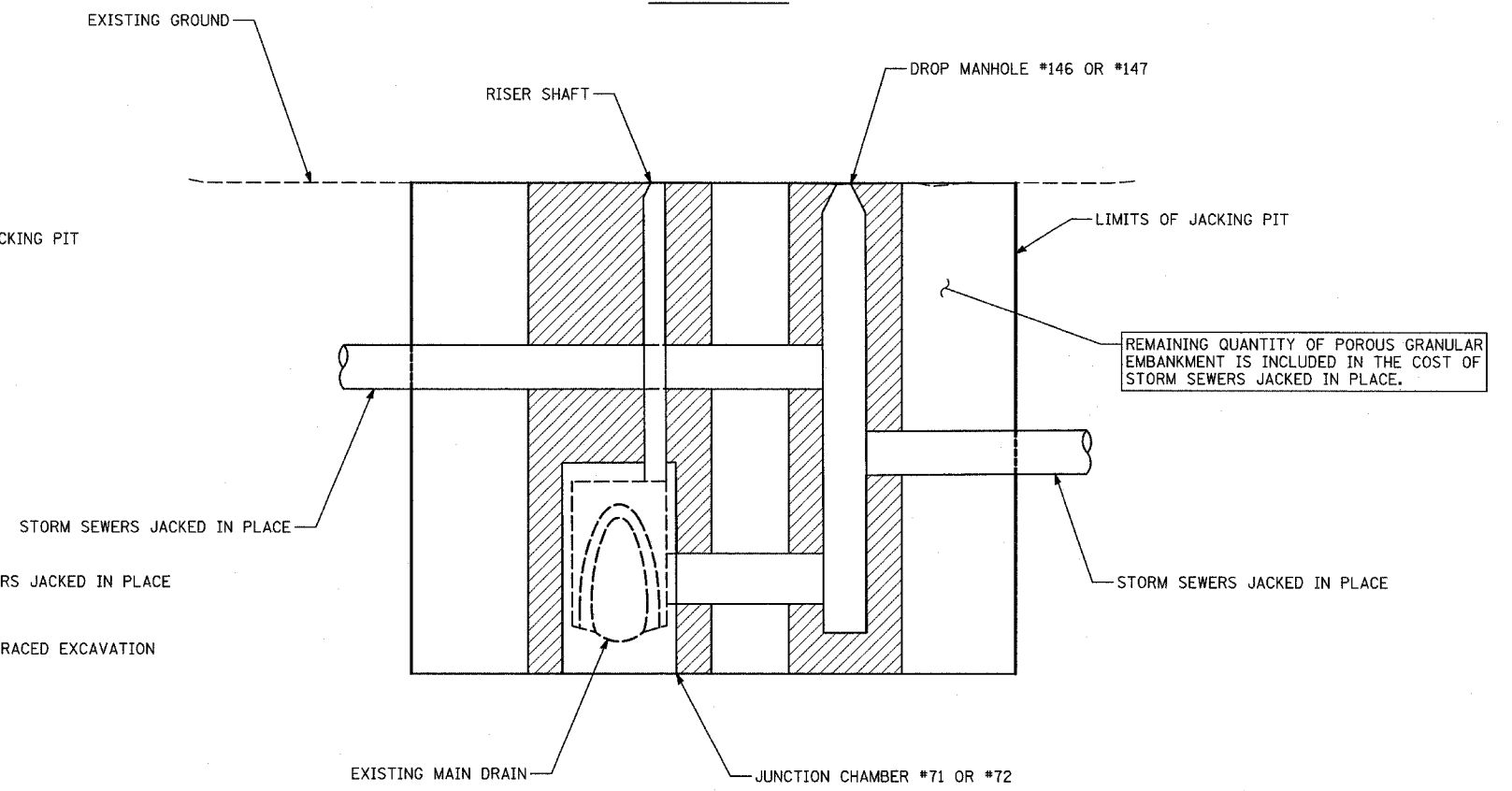
PAY LIMITS OF POROUS GRANULAR EMBANKMENT (PLAN VIEW)

REMAINING QUANTITY OF POROUS GRANULAR EMBANKMENT IS INCLUDED IN THE COST OF STORM SEWERS JACKED IN PLACE.



PAY LIMITS OF BRACED EXCAVATION (SECTION VIEW)

□ PAY LIMITS FOR BRACED EXCAVATION (PAID FOR SEPARATELY)



PAY LIMITS OF POROUS GRANULAR EMBANKMENT (SECTION VIEW)

▨ PAY LIMITS OF POROUS GRANULAR EMBANKMENT* (PAID FOR SEPARATELY)

* PLAN QUANTITIES FOR POROUS GRANULAR EMBANKMENT ARE BASED ON A JACKING PIT SIZE OF 36' x 18'. THE ACTUAL PIT DIMENSIONS MAY BE DIFFERENT.

REVISIONS	
NAME	DATE