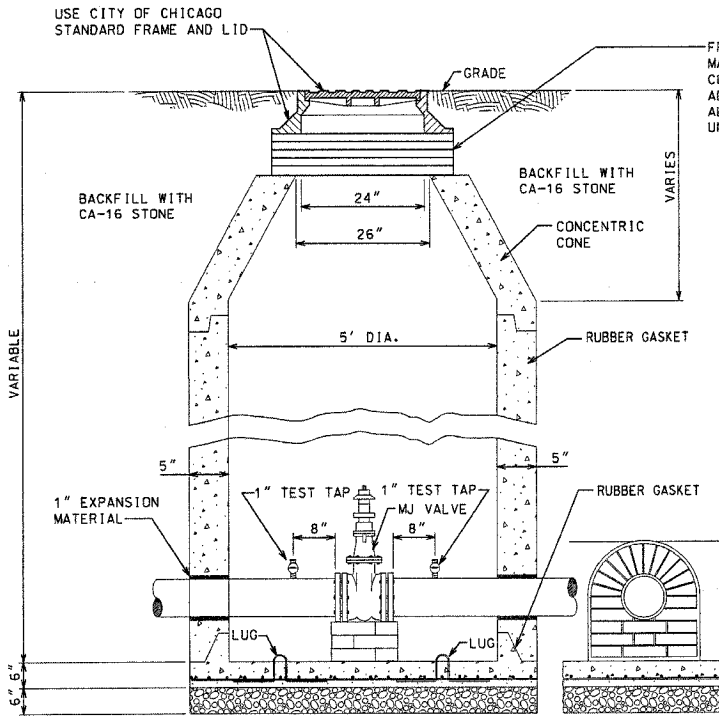
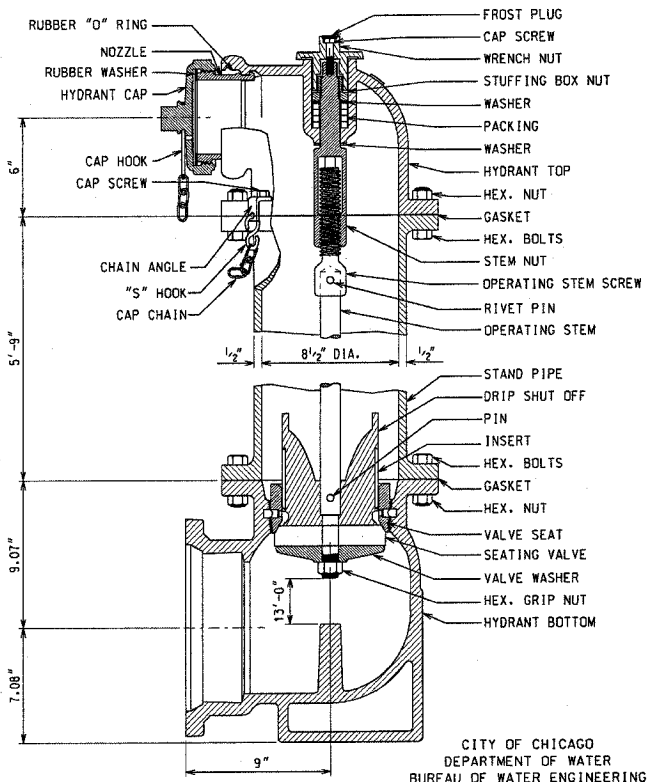


- NOTES:**
1. PROVIDE PIPE BEDDING OF COMPACTED GRANULAR MATERIAL, GRAVEL, OR CRUSHED STONE TO A DEPTH OF 1/8 OF PIPE DIAMETER, 6" MINIMUM.
 2. BEDDING MATERIAL CA-16 UP TO 16-INCH DIA. PIPES.
 3. BEDDING MATERIAL CA-11 FOR LARGER THAN 16-INCH DIA. PIPES.
 4. BACKFILL MUST BE COMPACTED UP TO ONE FOOT ABOVE THE PIPE IN TYPICAL I AND TO THE TOP OF THE TRENCH IN TYPICAL II & III.
 5. ALL EXCAVATIONS SHALL BE PROPERLY SHORED, SHEETED AND BRACED, TO PROVIDE SAFE WORKING CONDITIONS, ALL IN COMPLIANCE WITH THE U.S. DEPARTMENT OF LABOR SAFETY AND HEALTH REGULATIONS FOR CONSTRUCTION STIPULATED UNDER THE OCCUPATIONAL SAFETY AND HEALTH ACT. (O.S.H.A.).
 6. FOR PAVEMENT RESTORATION SEE C.D.O.T. OR I.D.O.T. REQUIREMENTS.

WATER MAIN LAYING CONDITIONS

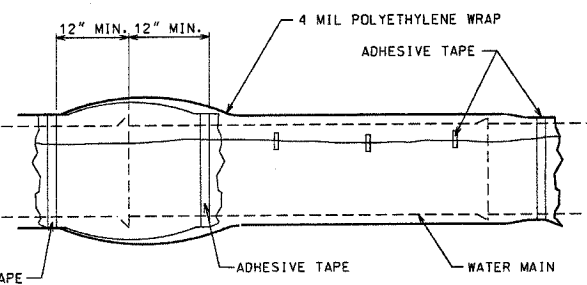


**PRECAST VALVE BASIN
16" & SMALLER VALVES**



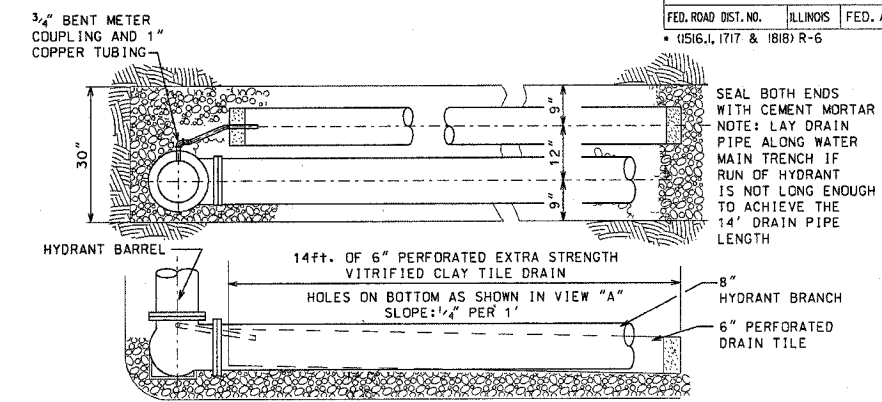
**DOUBLE 4 1/2" CHICAGO FIRE HYDRANT
GENERAL ASSEMBLY**

- NOTE:**
1. TOP CASTING IS TURNED 45° FROM TRUE POSITION IN SECTIONAL VIEW.

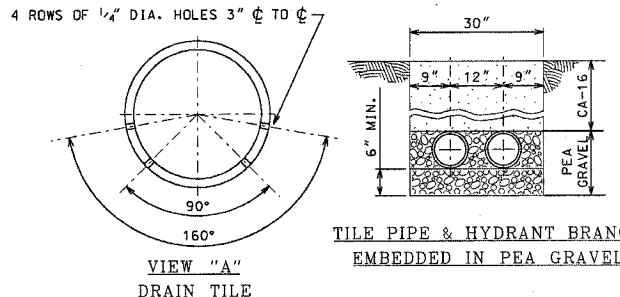


- NOTE:**
1. ONE LENGTH OF POLYETHYLENE TUBE FOR EACH LENGTH OF PIPE, OVERLAPPED AT JOINT AND EXCESS FOLDED OVER TOP FOR SLACK REDUCTION. INSTALL PER ANS1 A21.5/AWWA C105.

POLYETHYLENE WRAP DETAIL

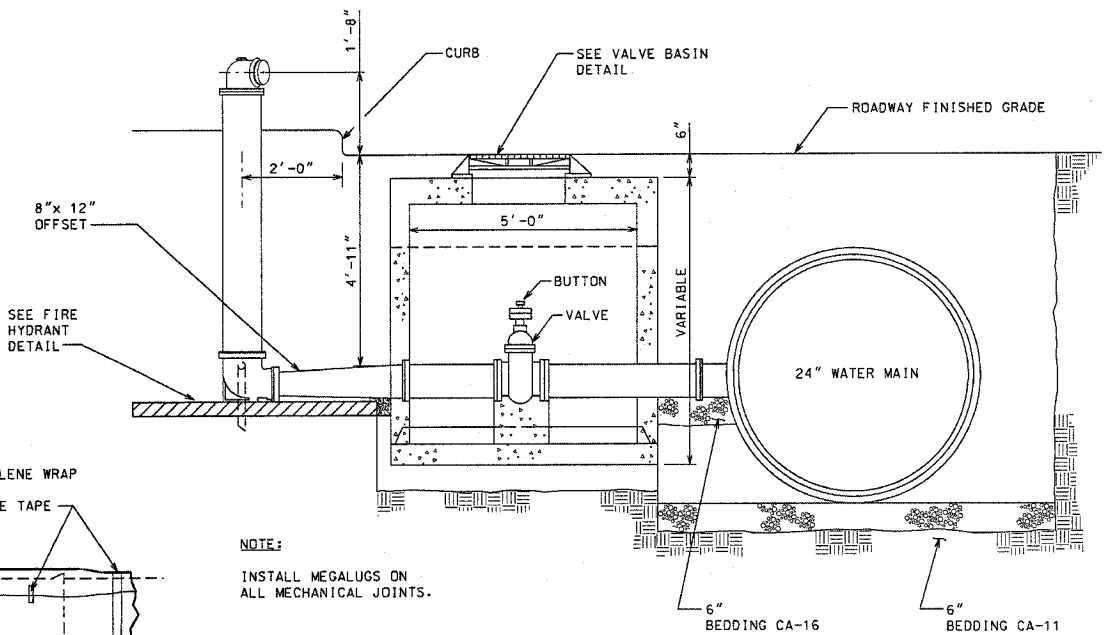


LAYING CONDITION



**TILE PIPE & HYDRANT BRANCH
EMBEDDED IN PEA GRAVEL**

FIRE HYDRANT DRAIN DETAIL



- NOTE:**
1. INSTALL MEGALUGS ON ALL MECHANICAL JOINTS.

FIRE HYDRANT SETTING - 24" WATER MAIN

REVISIONS	
NAME	DATE

ILLINOIS DEPARTMENT OF TRANSPORTATION
F.A.I. 94 (DAN RYAN EXPRESSWAY)

WATER MAIN DETAILS
S. STATE STREET
E. 85TH STREET TO E. 95TH STREET

SCALE: NOT TO SCALE DRAWN BY: CW
DATE: SEPTEMBER 3, 2004 CHECKED BY: NDS