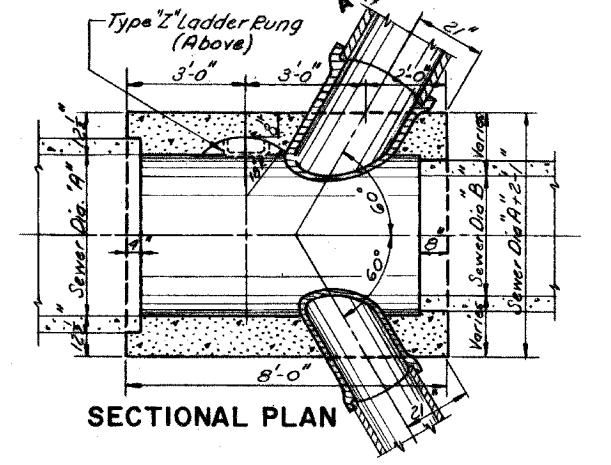
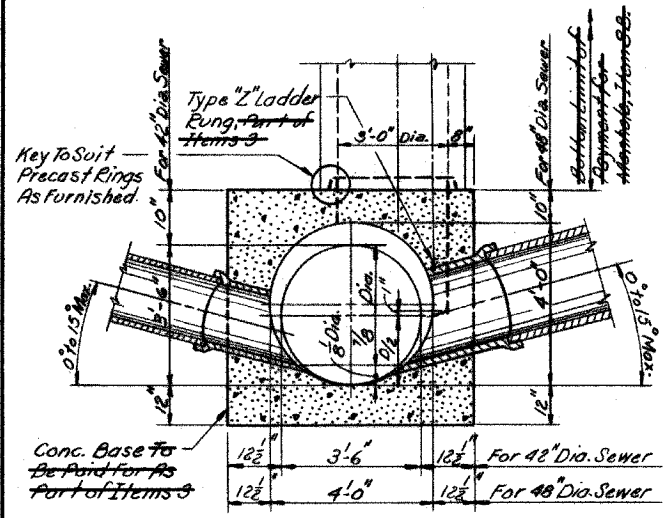


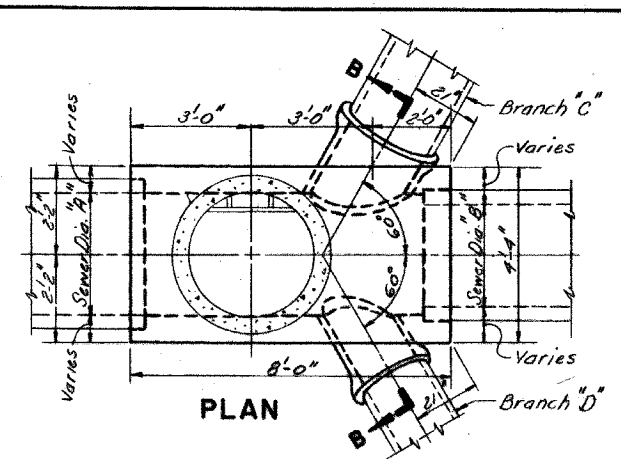
PLAN



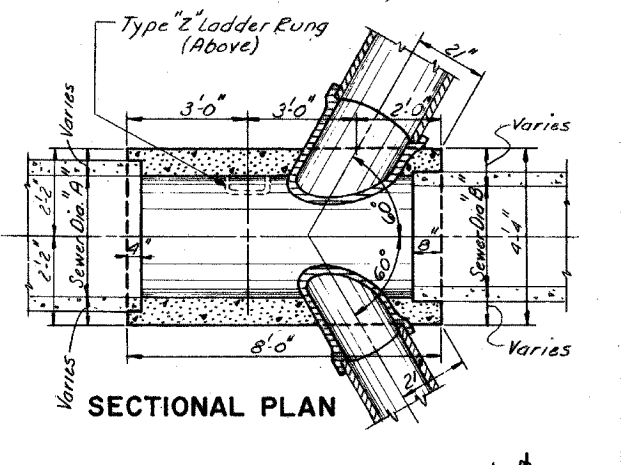
SECTIONAL PLAN



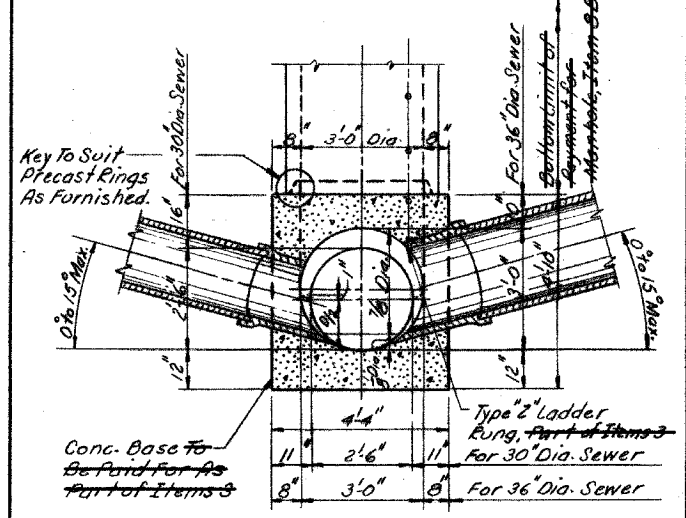
SECTION A-A  
TYPE "B" MANHOLE  
FOR SEWERS 48" DIA. & 42" DIA.  
Item 8-B



PLAN

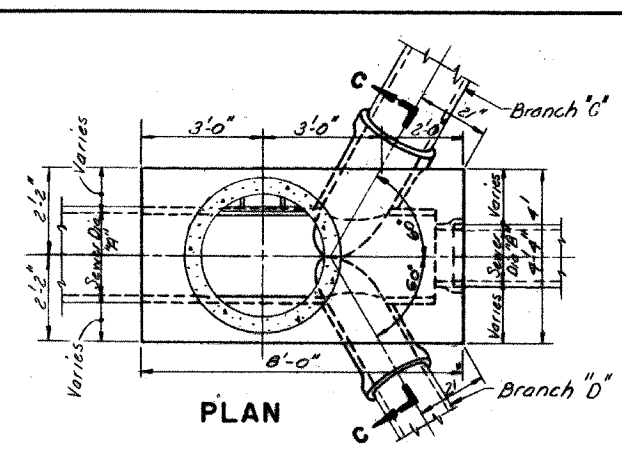


SECTIONAL PLAN

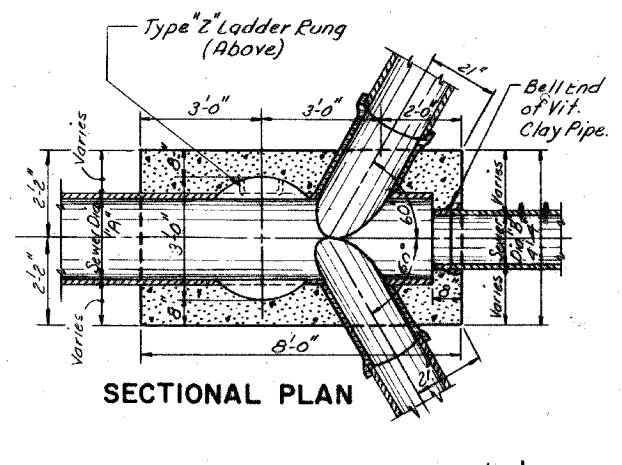


SECTION B-B  
TYPE "B" MANHOLE  
FOR SEWERS 36" DIA. & 30" DIA.  
Item 8-B

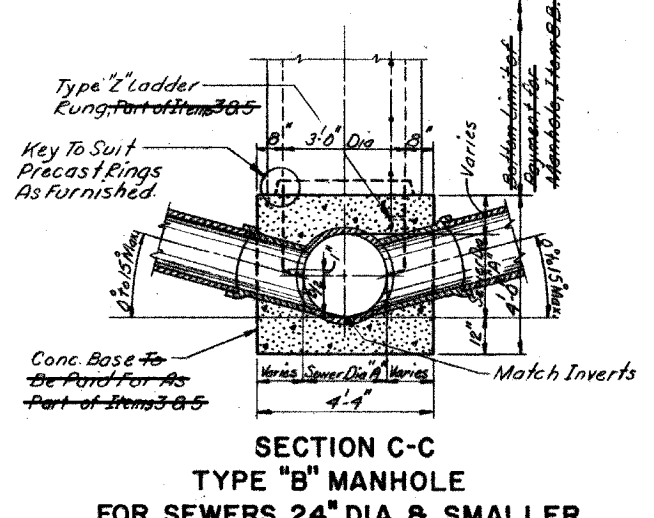
Notes For Type "B" Manholes:  
-Clubs in Manhole Bases To Be Paid For as Part of the Item 5 or Item 7  
For Reinforcement Steel Details of Manhole Base See Sheet No.



PLAN



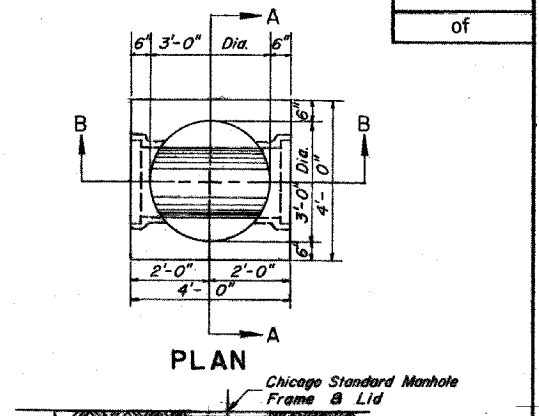
SECTIONAL PLAN



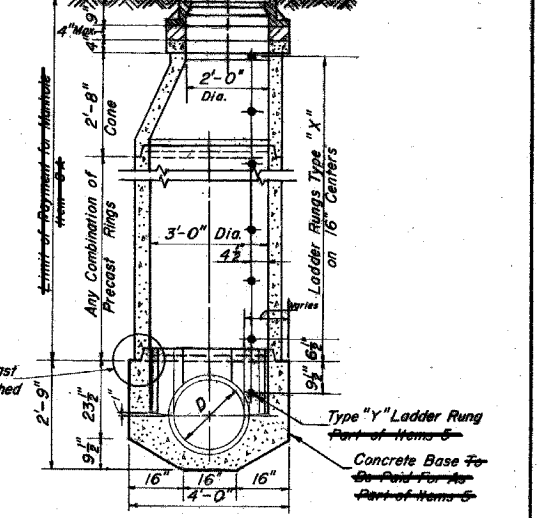
SECTION C-C  
TYPE "B" MANHOLE  
FOR SEWERS 24" DIA. & SMALLER  
Item 8-B

Scale of Drawing 1/2" = 1'-0"  
2' 1' 6" 0 1' 2' 3' 4' 5'

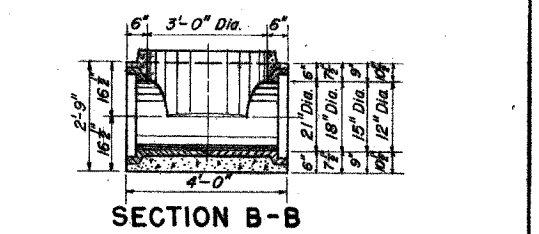
REVISIONS	
DATE	DESCRIPTION



PLAN



SECTION A-A



SECTION B-B

TYPE "A" MANHOLE  
FOR SEWERS 21" DIA. AND SMALLER  
ITEM 8-A  
For Reinforcement Steel Details of Manhole Base See Sheet No. 3 OF 10

CITY OF CHICAGO  
DEPARTMENT OF WATER MANAGEMENT  
BUREAU OF ENGINEERING SERVICES

TYPE "A" AND TYPE "B" MANHOLES

SCALE AS SHOWN CONTRACT SHEET NO.

NOTE: THESE DRAWINGS ARE FOR INFORMATIONAL PURPOSES ONLY. ALL REFERENCES TO PAY ITEMS OR PAY LIMITS SHOULD BE IGNORED. SEE SPECIAL PROVISIONS FOR PAY ITEMS.

TYLIN INTERNATIONAL

REVISIONS	
NAME	DATE

ILLINOIS DEPARTMENT OF TRANSPORTATION  
F.A.I. 94 (DAN RYAN EXPRESSWAY)  
  
CITY OF CHICAGO  
DEPARTMENT OF WATER MANAGEMENT  
SEWER RELOCATION DETAIL  
(SHEET 2 OF 9)  
  
SCALE: NONE DRAWN BY: MB  
DATE: OCTOBER 4, 2004 CHECKED BY: MPG