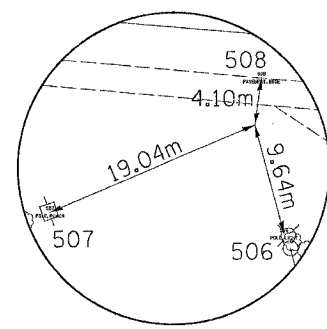
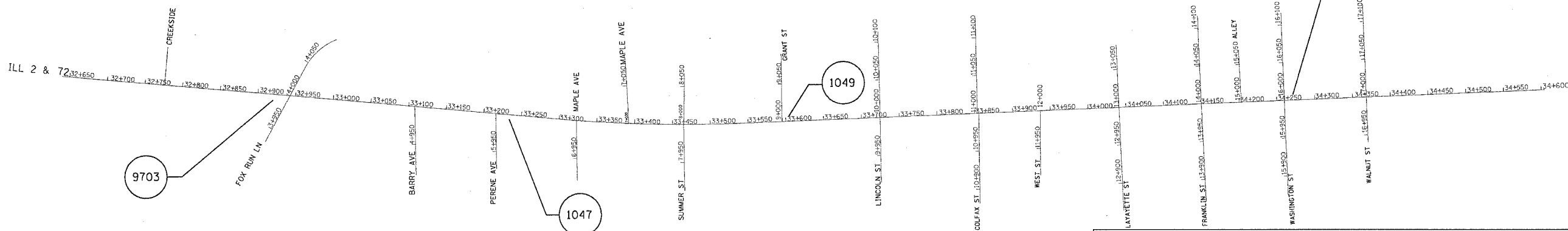
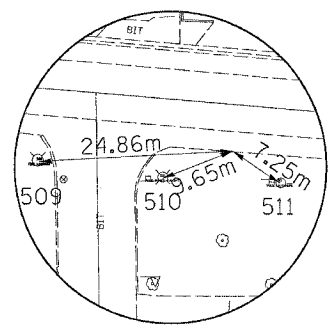


# HORIZONTAL & VERTICAL CONTROL

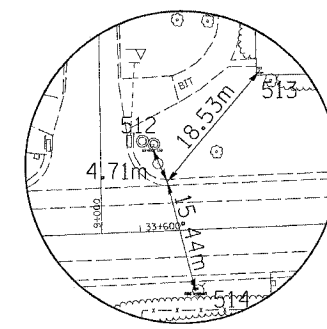
F.A.P. RTE.	SECTION	COUNTY	TOTAL SHEETS	SHEET NO.
742	37R-2	OGLE	389	30
STA.		TO STA.		
FED. ROAD DIST. NO.		ILLINOIS	FED. AID PROJECT	
CONTRACT #64157				



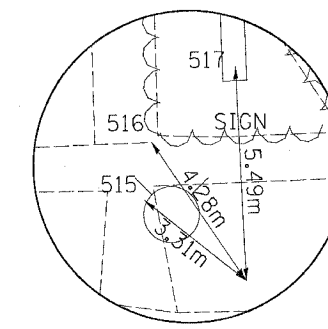
HORIZONTAL CONTROL  
POINT NO. 9703



HORIZONTAL CONTROL  
POINT NO. 1047



HORIZONTAL CONTROL  
POINT NO. 1049



HORIZONTAL CONTROL  
POINT NO. 9706

REFERENCE TIES					
POINT	CHAIN	STATION	OFFSET	DESCRIPTION	FEATURE
506	EXIL2	32+923.94	16.8549' RT	POLE, LIGHT	SHINER
507	EXIL2	32+903.82	16.7059' RT	POLE, POWER	SHINER
508	EXIL2	32+920.87	3.6980' RT	PAVEMENT, EDGE	PK NAIL
509	EXIL2	33+209.37	9.4582' RT	FIRE HYDRANT	PAINTED
510	EXIL2	33+225.29	10.2093' RT	POLE, POWER W/LIGHT	SHINER
511	EXIL2	33+240.34	9.5386' RT	POLE, TELEPHONE	SHINER
512	EXIL2	33+601.95	10.6446' LT	MANHOLE LID	CHISELED "X"
513	EXIL2	33+616.11	20.0355' LT	STEP	CORNER
514	EXIL2	33+606.76	7.8433' RT	FIRE HYDRANT	PAINTED
515	EXIL2	34+268.99	9.5092' LT	FIRE HYDRANT	PAINTED
516	EXIL2	34+269.23	10.9835' LT	CURB	CORNER
517	EXIL2	34+271.46	12.8476' LT	SIGN	END

SURVEY WORK POINTS							
POINT	NORTH	EAST	ELEVATION	CHAIN	STATION	OFFSET	DESCRIPTION
100	606461.8600	773267.0330	210.0100	EXIL2	32+455.71	8.9697' LT	TOPO SURVEY POINT, PIN
101	606507.7670	775866.4420	210.4400	EXIL2	35+073.02	8.1937' RT	TOPO SURVEY POINT, PIN
166	606425.7830	773577.5970	208.9620	EXIL2	32+766.98	6.9900' RT	TOPO SURVEY POINT, PIN
167	606395.5170	773928.3230	218.9740	EXIL2	33+119.01	6.5012' RT	TOPO SURVEY POINT, PIN
168	606378.5210	774138.2760	220.8370	EXIL2	33+329.57	5.2833' RT	TOPO SURVEY POINT, PK NAIL
169	606387.7940	774189.1960	220.3820	EXIL2	33+379.87	7.0088' LT	TOPO SURVEY POINT, PK NAIL
170	606371.3140	774282.1120	220.0520	EXIL2	33+473.11	7.5099' RT	TOPO SURVEY POINT, PIN
171	606380.8970	774543.5570	217.4460	EXIL2	33+734.47	7.3727' RT	TOPO SURVEY POINT, PIN
172	606383.8100	774672.7640	217.3090	EXIL2	33+863.69	9.7645' RT	TOPO SURVEY POINT, PIN
173	606406.3000	774742.7740	218.3040	EXIL2	33+934.56	9.8335' LT	TOPO SURVEY POINT, CHISELED "X"
174	606409.6730	774840.6620	220.0810	EXIL2	34+032.51	9.1866' LT	TOPO SURVEY POINT, PIN
175	606414.2010	774967.9290	221.0210	EXIL2	34+159.85	8.4881' LT	TOPO SURVEY POINT, PIN
176	606509.2820	775175.9050	221.5350	EXIL2	34+371.55	94.9542' LT	TOPO SURVEY POINT, PK NAIL

HORIZONTAL CONTROL							
POINT	NORTH	EAST	ELEVATION	CHAIN	STATION	OFFSET	DESCRIPTION
1047	606385.9230	774042.9020	220.4000	EXIL2	33+233.99	6.0490' RT	GPS CONTROL POINT, PIN
1049	606389.1640	774412.3440	218.6280	EXIL2	33+603.71	6.2720' LT	GPS CONTROL POINT, PK NAIL
9703	606411.5570	773730.6060	213.2220	EXIL2	32+920.65	7.7949' RT	GPS CONTROL POINT, PIN
9706	606417.6590	775079.5400	220.9950	EXIL2	34+271.51	7.3629' LT	GPS CONTROL POINT, PIN

BENCH MARKS							
POINT	NORTH	EAST	ELEVATION	CHAIN	STATION	OFFSET	DESCRIPTION
402	606455.3710	773393.0880	209.7720	EXIL2	32+580.59	6.3663' LT	HANDRAIL, DISK
403	606411.0800	773719.0730	212.6610	EXIL2	32+909.20	9.2776' RT	6" CULVERT PIPE, RCP

REVISIONS		ILLINOIS DEPARTMENT OF TRANSPORTATION
NAME	DATE	

SCALE: VERT. \_\_\_\_\_  
 HORIZ. \_\_\_\_\_  
 DATE \_\_\_\_\_ DRAWN BY \_\_\_\_\_  
 CHECKED BY \_\_\_\_\_

Fri Aug 27 13:17:46 2004  
 c:\p\projects\m22089\dwg\hvc.dwg  
 REFERENCE = 80696.DGN, HST1E8  
 REFERENCE = C:\PROJECTS\22089\80696.DGN, PLNS  
 LV = 294  
 LV = 294-46247-62452