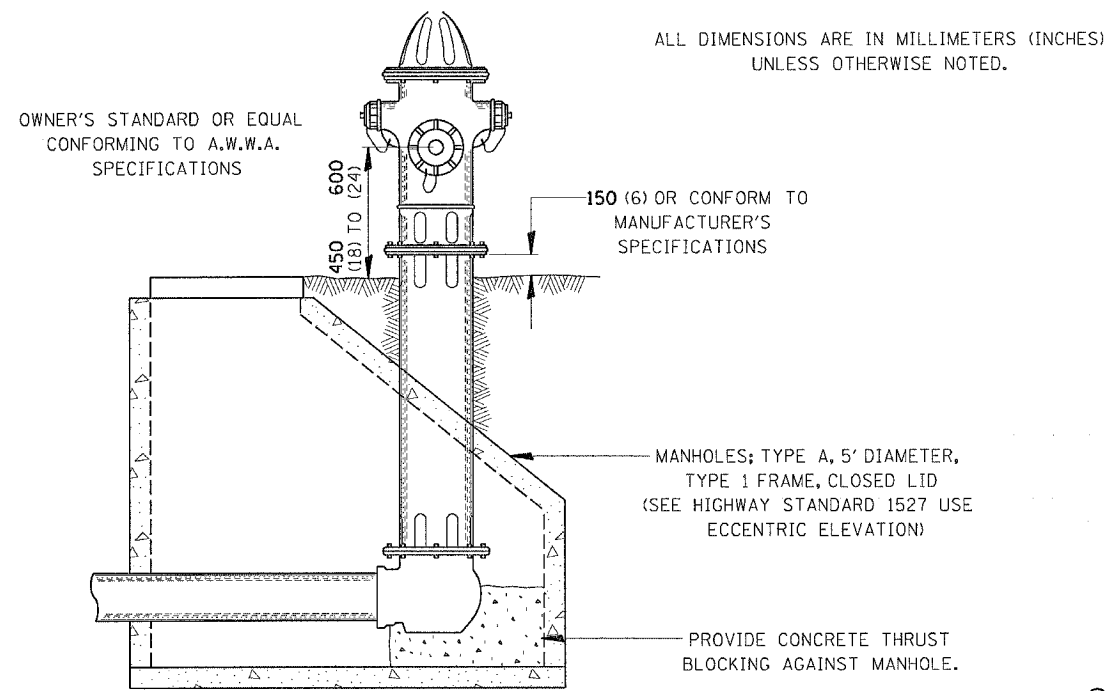


## TYPICAL HYDRANT INSTALLATION

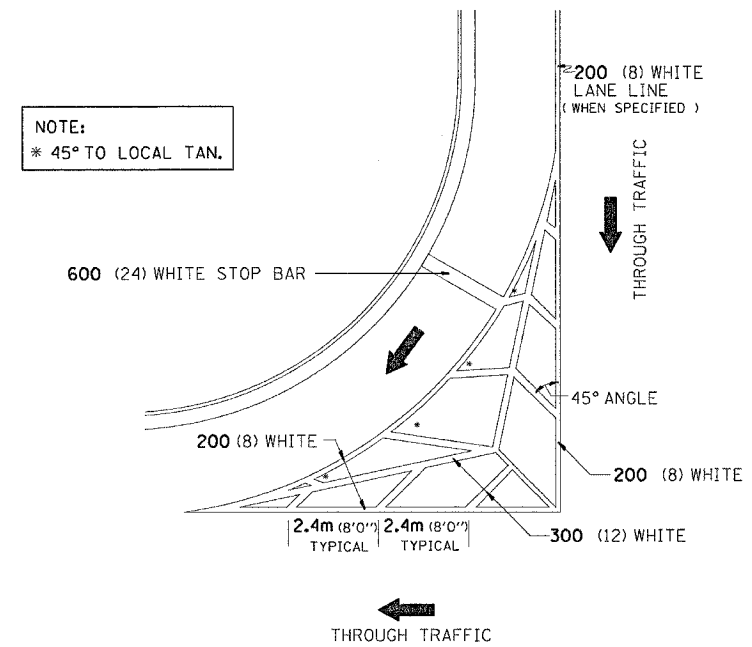


REVISED 1-8-96

81.4

## TYPICAL MARKING FOR PAINTED ISLANDS

F.A.P. RTE.	SECTION	COUNTY	TOTAL SHEETS	SHEET NO.
742	37R-2	OGLE	389	146
STA.		TO STA.		
FED. ROAD DIST. NO.		ILLINOIS	FED. AID PROJECT	
CONTRACT #64157				



ALL DIMENSIONS ARE IN MILLIMETERS (INCHES) UNLESS OTHERWISE NOTED.

1/18/96

93.4

## TREE REPLACEMENT SCHEDULE

CODE #	SCIENTIFIC NAME	COMMON NAME	SIZE	UNIT	QUANTITY
A2001714	TREE, ACER SACCHARUM	SUGAR MAPLE	1 3/4" CALIPER BALLED & BURLAPPED	EACH	10
A2006514	TREE, QUERCUS BICOLOR	SWAMP WHITE OAK	1 3/4" CALIPER BALLED & BURLAPPED	EACH	7
A2007820	TREE, TILIA AMERICANA	AMERICAN LINDEN, BASSWOOD	1 3/4" CALIPER BALLED & BURLAPPED	EACH	10
B2000562	TREE, AMELANCHIER CANADENSIS	SHADBLOW SERVICEBERRY	4' HEIGHT, SHRUB FORM BALLED & BURLAPPED	EACH	10
B2004114	TREE, MALUS PRAIRIFIRE	PRAIRIFIRE CRABAPPLE	1 3/4" CALIPER, TREE FORM BALLED & BURLAPPED	EACH	10
B2005014	TREE, MALUS SNOWDRIFT	SNOWDRIFT CRABAPPLE	1 3/4" CALIPER, TREE FORM BALLED & BURLAPPED	EACH	10
C2004436	SHRUB, LONICERA XYLOSTEUM CLAVEYI	CLAVEY'S DWARF HONEYSUCKLE	3' HEIGHT BALLED & BURLAPPED	EACH	50
C2012936	SHRUB, TRILOBUM BAILEY COMPACT	BAILEY COMPACT AMERICAN CRANBERRY	3' HEIGHT BALLED & BURLAPPED	EACH	50

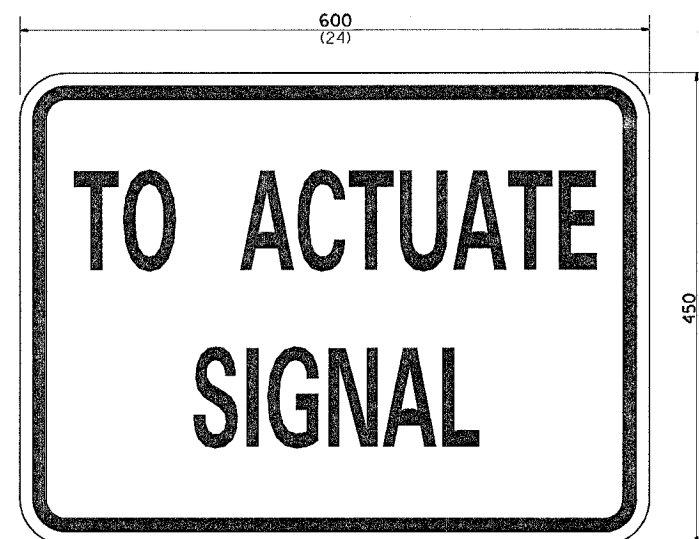
PLEASE ADD TO GENERAL NOTES:  
- LAYOUT DISTRICT LANDSCAPE ARCHITECT  
- MULCH (HARDWOOD WOODCHIPS) 1.5 METERS (5') WIDE 100 mm THICK (4") WITH FABRIC

ALTERNATE PLANTING SITE: FAI-39 & BAXTER ROAD

ALL DIMENSIONS ARE IN MILLIMETERS (INCHES) UNLESS OTHERWISE NOTED.

5-15-91

90.4



SIZE: 600(24) x 450(18)

100 (4) CAPITAL LETTERS - BLACK

13 (1/2) BORDER - BLACK

WHITE REFLECTIVE - TYPE B ENGINEERING GRADE SHEETING

### GENERAL NOTE:

THIS SIGN SHALL BE INSTALLED AT THE STOP LINE AS DIRECTED BY ENGINEER.

ALL DIMENSIONS ARE IN MILLIMETERS (INCHES) UNLESS OTHERWISE NOTED.

8-7-90

99.4