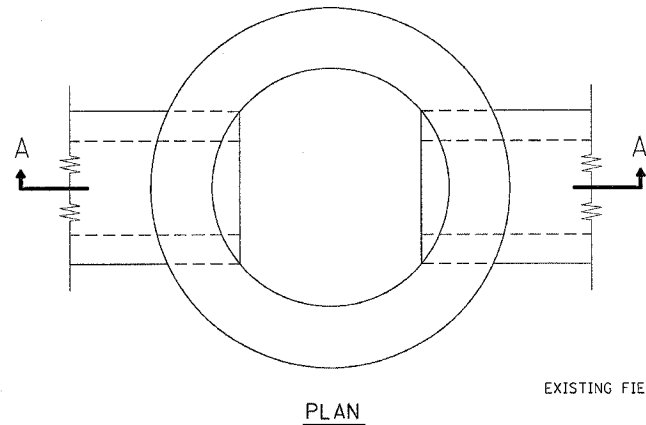


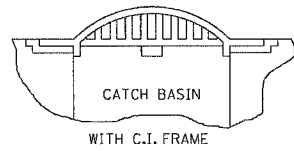
MANHOLE, SPECIAL 900 mm (36") DIA.

ILLUSTRATING R-4340-C

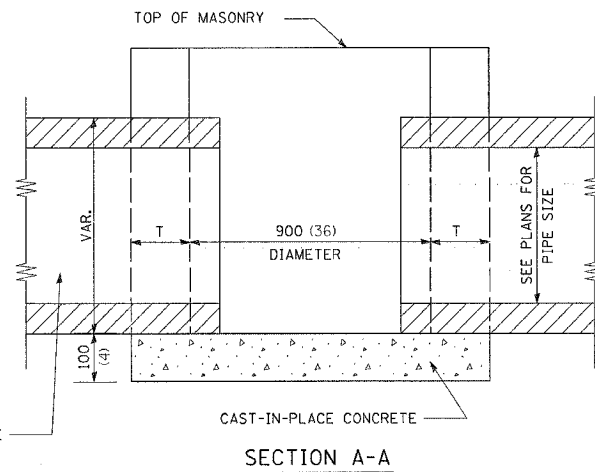
NOTE:
TO ACCOMMODATE THE OPEN LID (R4340-C) A PRECAST REINFORCED CONCRETE FLAT SLAB TOP SHALL BE INSTALLED ON THE 900 mm (36") DIAMETER PIPE (SEE STATE STD. 602601) THIS SHALL BE PAID FOR AS PART OF MANHOLE, SPECIAL.



PLAN



CATALOG NO.	O. DIA.	O.D. LUGS	DIA. BHV	HT. BHV	NO. LUGS	SIZE BARS	SIZE OP.	PIPE SIZE	WT. LBS.
R-4340-C	33	29	23	5 3/4	4	1 1/4	1	24	210

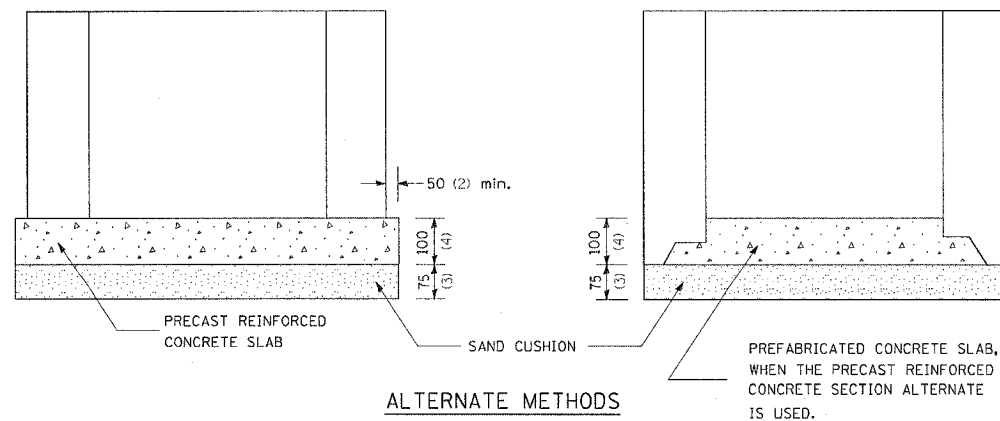


SECTION A-A

ALTERNATE MATERIALS FOR WALLS	T
BRICK MASONRY	200 (8)
CAST-IN-PLACE CONCRETE	150 (6)
CONCRETE MASONRY UNIT	125 (5)
PRECAST REINFORCED CONCRETE SECTION	75 (3)

NOTE: THE FRAME AND LID ARE INCLUDED IN THE PRICE OF THE MANHOLE, SPECIAL.

ALL DIMENSIONS ARE IN MILLIMETERS (INCHES) UNLESS OTHERWISE SHOWN.
ALL FIELD TILE CONNECTIONS SHALL BE PAID FOR AS PART OF MANHOLE, SPECIAL.

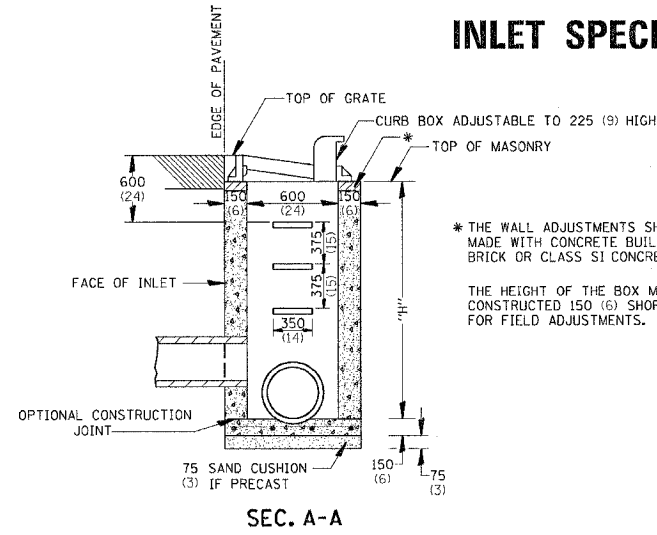


ALTERNATE METHODS

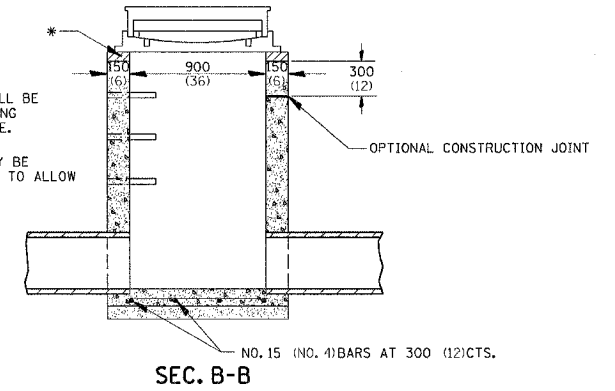
MANHOLE, SPECIAL (OPEN LID)

F.A.P. RTE.	SECTION	COUNTY	TOTAL SHEETS	SHEET NO.
742	37R-2	OGLE	389	148
STA.		TO STA.		
FED. ROAD DIST. NO.		ILLINOIS FED. AID PROJECT		
CONTRACT #64157				

INLET SPECIAL

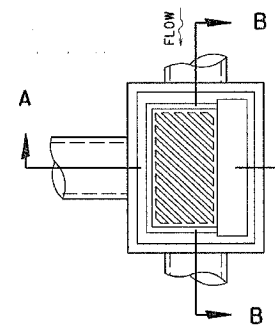


SEC. A-A



SEC. B-B

* THE WALL ADJUSTMENTS SHALL BE MADE WITH CONCRETE BUILDING BRICK OR CLASS SI CONCRETE.
THE HEIGHT OF THE BOX MAY BE CONSTRUCTED 150 (6) SHORT TO ALLOW FOR FIELD ADJUSTMENTS.



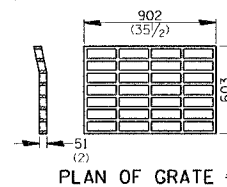
DETAIL OF FRAME & GRATE

NOTES

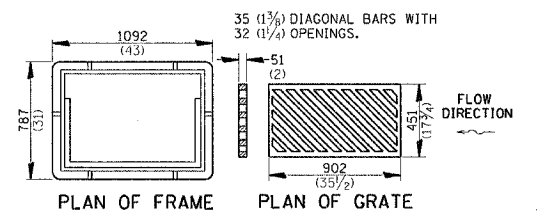
SEE STANDARD 602701 FOR DETAILS OF STEPS.
EXCEPT AS NOTED HEREON INLET SPECIAL SHALL BE CONSTRUCTED IN ACCORDANCE WITH SECTION 602 OF THE STANDARD SPECIFICATIONS.
THE SIDE WALLS MAY BE BUILT AS PRECAST SEGMENTED SECTIONS.
ALL VOIDS AROUND PIPE ENTRANCE, BOTH INSIDE AND OUTSIDE, SHALL BE SEALED WITH MORTAR.
WEIGHT OF CAST IRON FRAME & GRATE = 240 kg (530 lbs.) ± .
STEPS SHALL BE OMITTED WHEN DEPTH OF "H" IS LESS THAN 1.5 m (5 ft).

NOTES

CLASS SI CONCRETE OR PRECAST CONCRETE SHALL BE USED THROUGHOUT. PRECAST CONCRETE SHALL BE IN ACCORDANCE WITH SECTION 504.01 THRU 504.05 OF THE STANDARD SPECIFICATIONS EXCEPT THAT CONCRETE STRENGTH SHALL BE 27.5 MPa (4,000 psi) AFTER 28 DAYS.
THE CONTRACT UNIT PRICE EACH FOR INLET SPECIAL SHALL INCLUDE THE COST OF CONSTRUCTING THE INLET BOX, FURNISHING AND INSTALLING THE FRAME AND GRATE, THE CAST IRON STEPS (IF USED), THE PRECAST FLOOR SLABS, SAND CUSHION (WHEN USED) AND REINFORCEMENT BARS.

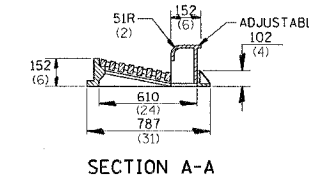


PLAN OF GRATE *



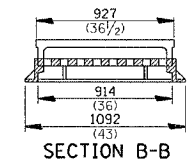
PLAN OF FRAME

PLAN OF GRATE



SECTION A-A

* THIS GRATE TO BE USED WITHOUT CURB BOX WHEN INLET IS IN DRIVEWAY.



SECTION B-B

ALL DIMENSIONS ARE IN MILLIMETERS (INCHES) UNLESS OTHERWISE NOTED.