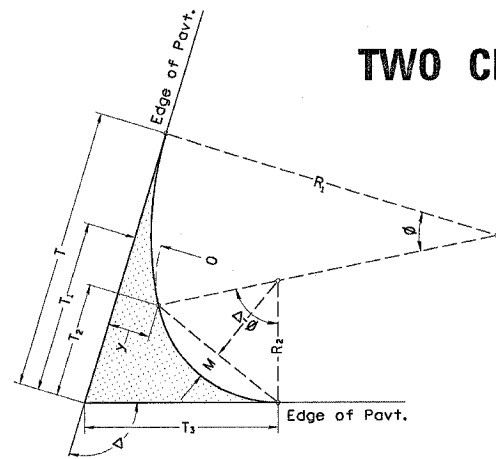


TWO CENTER CURVE DATA



TWO CENTER CURVES

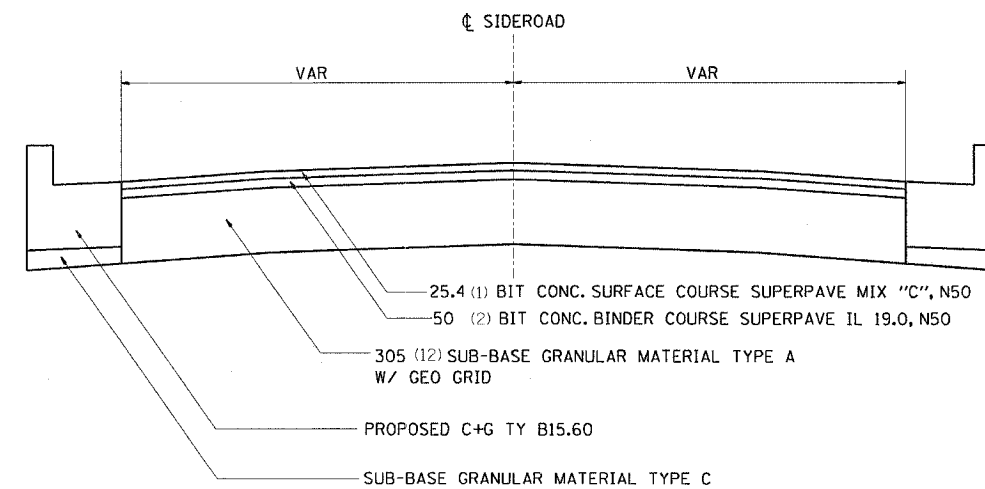
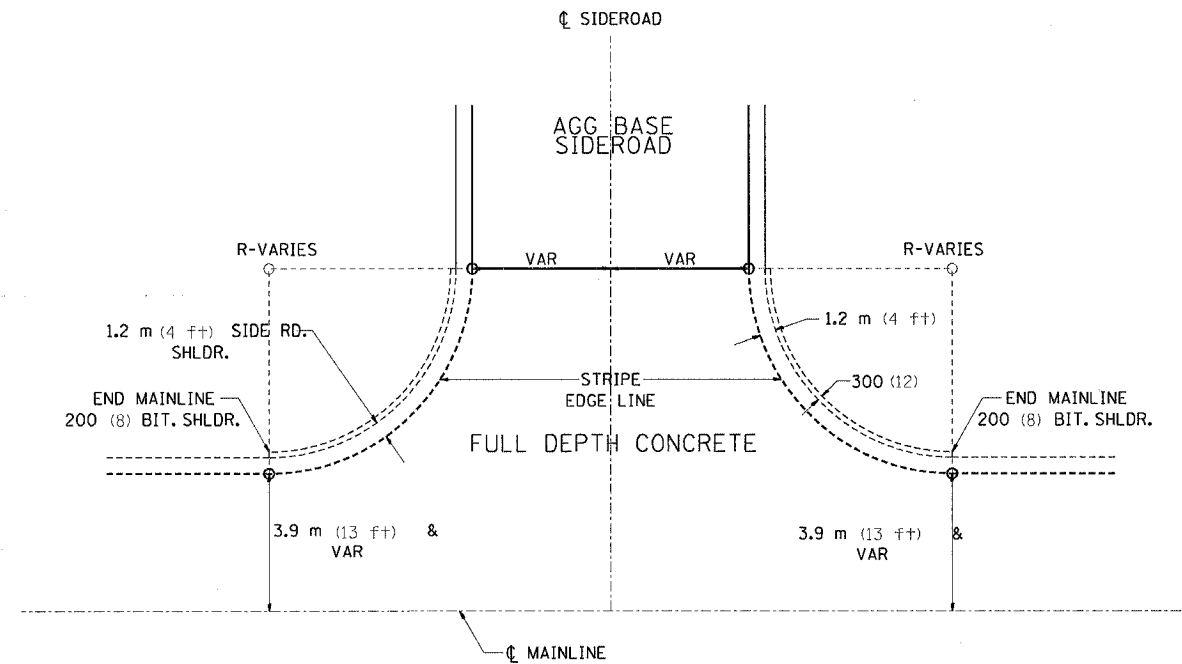
CURVE #	FOX RUN NW & SE	FOX RUN NE	FOX RUN SW	BARRY SW	BARRY SE	PERENE SW	PERENE SE
R ₁	45	60	60	60	60	60	60
R ₂	15	12	12.2	15	12	15	12
O	2.5	2.5	3.0	1.0	2.0	1.0	2.0
Δ	66.6732	113.3268	113.3268	83.8853	96.1147	84.2273	95.7727
T	20.78	34.61	36.51	22.81	27.28	22.89	27.19
T ₁	8.79	19.32	19.84	13.37	13.57	13.46	13.48
T ₂	2.79	15.50	15.59	10.23	10.14	10.31	10.05
T ₃	12.59	20.97	21.81	14.48	15.37	14.57	15.28
y	3.75	3.13	3.77	1.33	2.5	1.33	2.50
4y/3	1.67	1.39	1.67	0.59	1.11	0.59	1.11
y/3	0.42	0.35	0.42	0.15	0.28	0.15	0.28
M	1.05	3.87	3.80	2.85	2.78	2.87	2.75
LSM/16	0.98	3.63	3.56	2.67	2.60	2.69	2.58
SM/4	0.79	2.91	2.85	2.14	2.08	2.16	2.06
TM/16	0.46	1.69	1.66	1.25	1.21	1.26	1.20
C	11.02	17.66	17.69	17.59	15.35	17.66	15.29

CURVE #	S. MAPLE SW	S. MAPLE SE	N. MAPLE NW	N. MAPLE NE	SUNNER SW	SUNNER SE	GRANT NW	GRANT NE	LINCOLN NW & SE	LINCOLN NE & SW	COLFAX NW	COLFAX NE	COLFAX SW	COLFAX SE
R ₁	60	60	60	60	60	60	60	60	60	60	70	50	70	120
R ₂	15	12	12	15	15	12	12	15	12	15	15	15	15	12
O	1.0	2.0	2.0	1.0	1.0	2.0	2.0	1.0	2.0	1.0	4.5	5.5	2.5	3.5
Δ	84.8571	95.1429	95.2305	84.7695	89.0338	90.9662	88.5112	91.4888	88.9090	91.0910	88.8422	91.1578	91.1578	88.8422
T	23.05	27.02	27.04	23.03	24.17	25.95	25.35	24.85	25.45	24.46	36.40	34.25	31.75	38.96
T ₁	13.62	13.31	13.33	13.60	14.73	12.24	11.64	15.42	11.74	15.03	14.61	15.42	15.36	11.69
T ₂	10.48	9.88	9.90	10.45	11.59	8.81	8.21	12.28	8.31	11.88	8.67	7.35	10.89	8.66
T ₃	14.71	15.14	15.16	14.69	15.75	14.20	13.69	16.40	13.77	16.02	19.20	20.81	17.81	15.26
y	1.33	2.50	2.50	1.33	1.33	2.50	2.50	1.33	2.50	1.33	5.73	7.86	3.18	3.89
4y/3	0.59	1.11	1.11	0.59	0.59	1.11	1.11	0.59	1.11	0.59	2.55	3.49	1.41	1.73
y/3	0.15	0.28	0.28	0.15	0.15	0.28	0.28	0.15	0.28	0.15	0.64	0.87	0.35	0.43
M	2.92	2.71	2.72	2.92	3.26	2.44	2.29	3.46	2.31	3.34	2.38	1.92	3.01	2.43
LSM/16	2.74	2.54	2.55	2.73	3.05	2.29	2.14	3.24	2.17	3.13	2.24	1.80	2.82	2.28
SM/4	2.19	2.03	2.04	2.19	2.44	1.83	1.71	2.59	1.73	2.51	1.79	1.44	2.25	1.82
TM/16	1.28	1.19	1.19	1.28	1.42	1.07	1.00	1.51	1.01	1.46	1.04	0.84	1.32	1.06
C	17.79	15.19	15.21	17.77	18.66	14.51	14.09	19.16	14.16	18.88	16.23	14.68	18.02	14.48

CURVE #	WEST SW	WEST SE	LAYFAYETTE NW & SE	LAYFAYETTE NE & SW	FRANKLIN NW & SE	FRANKLIN NE & SW	WASHINGTON NW & SE	WASHINGTON NE & SW	WALNUT NW	WALNUT NE	WALNUT SW			
R ₁	60	60	60	60	60	60	60	60	75	75	60			
R ₂	15	12	12	15	12	15	12	15	15	15	15			
O	1.0	2.0	2.0	1.0	2.0	1.0	2.0	1.0	5.0	4.2	1.0			
Δ	92.0869	87.9131	90.2822	89.7178	90.0441	89.9559	89.8643	90.1357	89.9774	90.0226	90.0226			
T	25.03	25.21	25.78	24.36	25.72	24.42	25.68	24.47	38.97	37.06	24.44			
T ₁	15.59	11.50	12.07	14.92	12.01	14.99	11.97	15.04	14.99	15.01	15.01			
T ₂	12.45	8.07	8.64	11.78	8.58	11.84	8.54	11.89	9.00	9.49	11.86			
T ₃	16.56	13.57	14.06	15.93	14.01	15.99	13.97	16.04	19.99	19.21	16.01			
y	1.33	2.50	2.50	1.33	2.50	1.33	2.50	1.33	6.25	5.25	1.33			
4y/3	0.59	1.11	1.11	0.59	1.11	0.59	1.11	0.59	2.78	2.33	0.59			
y/3	0.15	0.28	0.28	0.15	0.28	0.15	0.28	0.15	0.69	0.58	0.15			
M	3.51	2.25	2.40	3.31	2.38	3.33	2.37	3.35	2.45	2.60	3.34			
LSM/16	3.29	2.11	2.25	3.10	2.23	3.12	2.22	3.14	2.30	2.44	3.13			
SM/4	2.63	1.69	1.80	2.48	1.79	2.50	1.78	2.51	1.84	1.95	2.50			
TM/16	1.53	0.98	1.05	1.45	1.04	1.46	1.04	1.46	1.07	1.14	1.46			
C	19.28	13.99	14.39	18.80	14.35	18.85	14.32	18.89	16.43	16.87	18.86			

TYPICAL AGGREGATE BASE SIDEROAD

F.A.P. RTE.	SECTION	COUNTY	TOTAL SHEETS	SHEET NO.
742	37R-2	OGLE	389	151
STA.		TO STA.		
FED. ROAD DIST. NO.		ILLINOIS FED. AID PROJECT		
CONTRACT #64157				



NOTE:
SUBBASE GRANULAR MATERIAL, TYPE C SHALL
BE INCLUDED IN THE COST OF SUB-BASE GRANULAR
MATERIAL, TYPE A (SEE SECTION 482.04)

ALL DIMENSIONS ARE IN MILLIMETERS (INCHES)
UNLESS OTHERWISE NOTED.