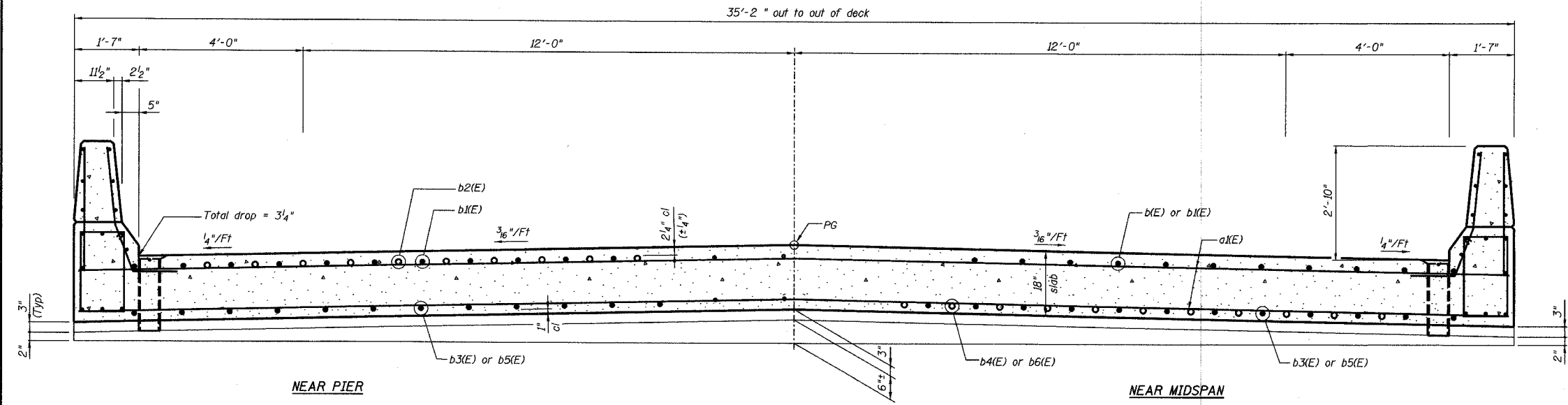


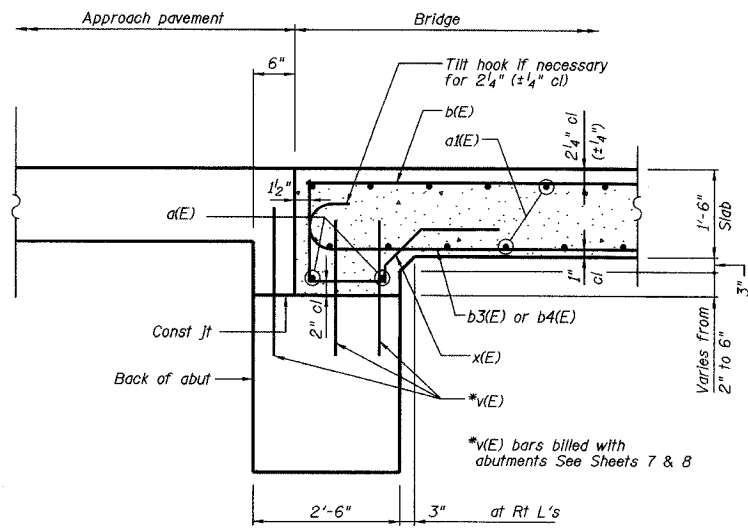
STATE OF ILLINOIS  
DEPARTMENT OF TRANSPORTATION

Sheet No. 5  
of 11 Sheets

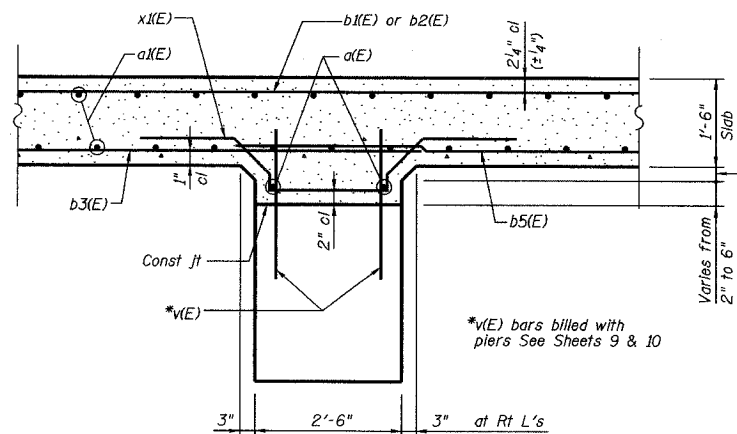
ROUTE NO.	SECTION	COUNTY	TOTAL SHEETS	SHEET NO.
FAS 197	105BR-2	WHITESIDE	59	20
FED. ROAD DIST. NO.	ILLINOIS	PROJECT	CONTRACT 64421	



CROSS SECTION THRU DECK  
(Looking East)



SECTION A-A



SECTION B-B

**NOTES:**

See Sheet No. 6 of 11 for Superstructure Details, parapet reinforcing and Bill of Material.

Reinforcement bars designated (E) shall be epoxy coated.

Bars Indicated thus 6x3-#5 etc indicates 6 lines of bars with 3 lengths per line.

See Sheet No. 1 of 11 for floor drain spacing.

Space reinforcement bars to miss floor drains.

REVISIONS		SUPERSTRUCTURE DETAILS		DRAWN BY DATE	
No.	DATE	MOLINE ROAD OVER UNNAMED TRIBUTARY TO ROCK RIVER		R King	8/04
1				CHEKED BY DATE	CWV 8/04
2				QA/QC BY DATE	CWC 8/04
3				BOOK NUMBER	
4		FAS ROUTE 197	SECTION 105BR-2	PROJECT No.	4858-3
5		SN 098-0110		SHEET No.	
6		STA 229+67.50	WHITESIDE COUNTY	HOMER L. CHASTAIN & ASSOCIATES, LLP CONSULTING ENGINEERS 184-001397	
7					
8					
9					
10					
11					
12					