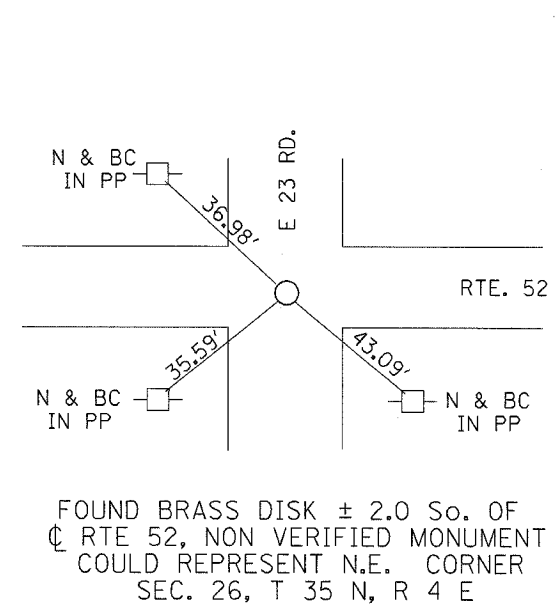
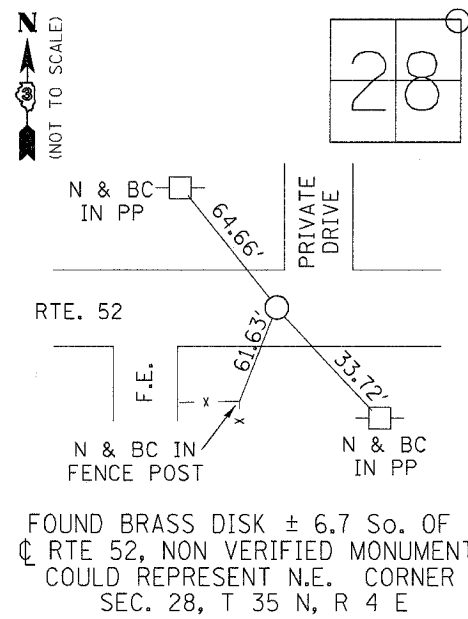
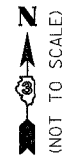
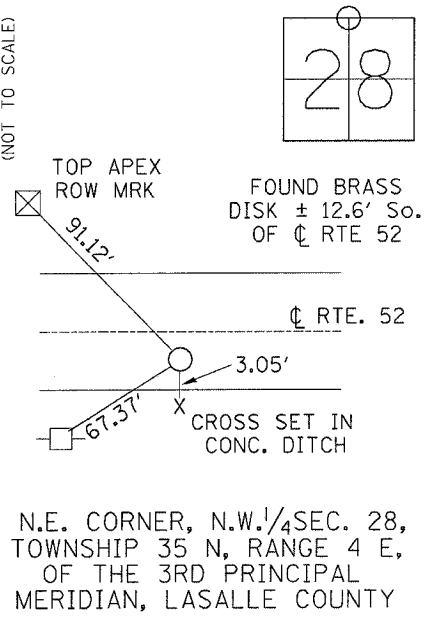
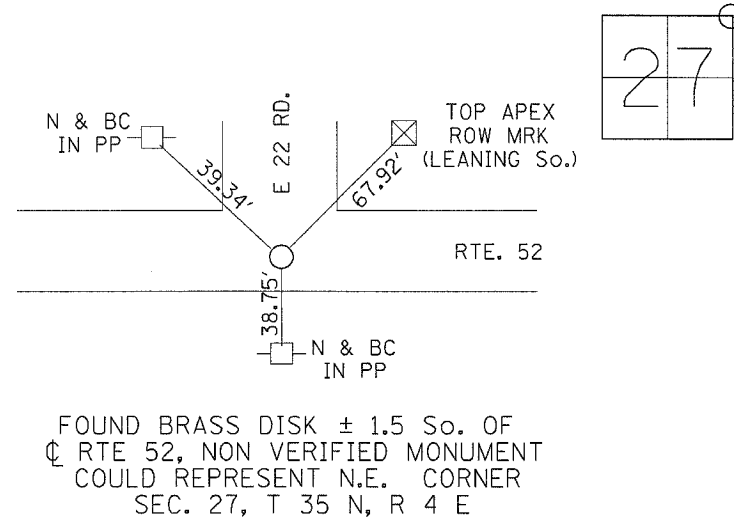
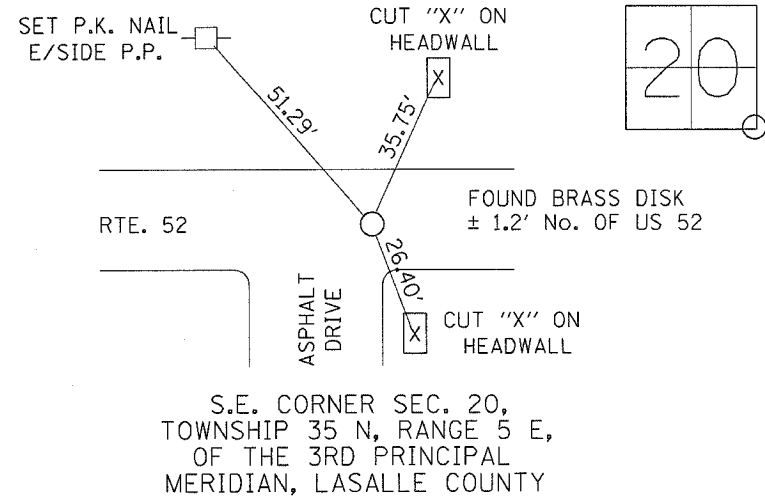


F. A. P. R/L	SECTION	COUNTY	TOTAL SHEETS	SHEET NO
607	124,125IRS-2	LASALLE	9	6
STA.		TO STA.		
FED. ROAD DIST. NO.		ILLINOIS	FED. AID PROJECT	



REVISIONS	
NAME	DATE

ILLINOIS DEPARTMENT OF TRANSPORTATION

# TIE POINTS