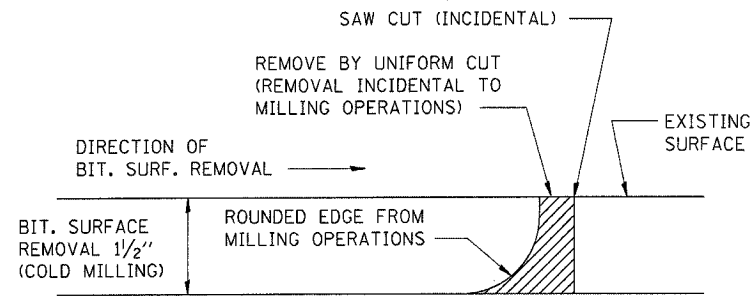
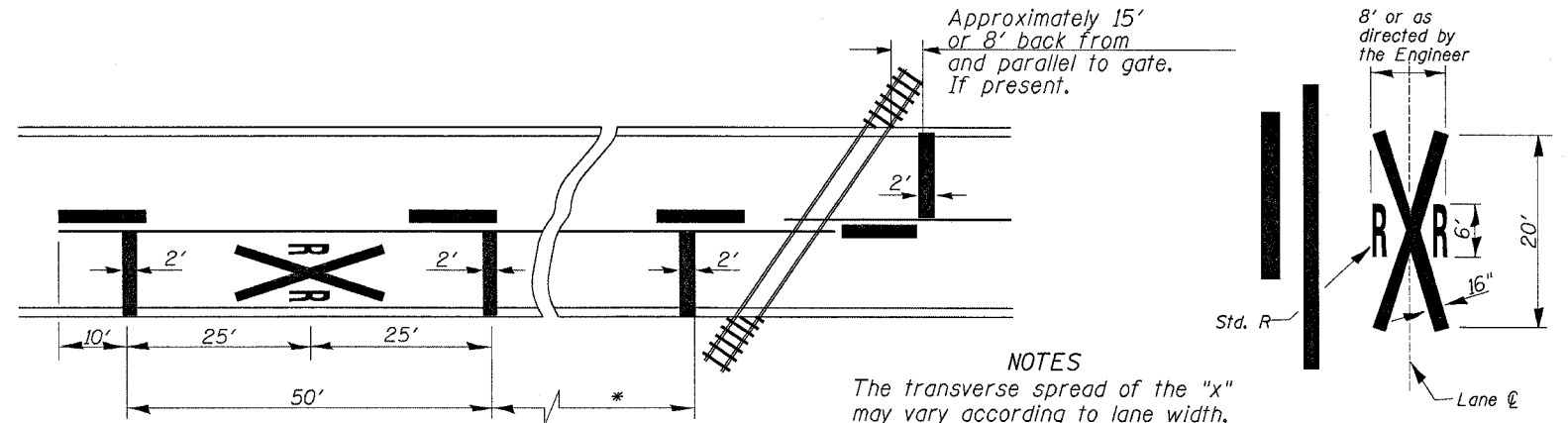


F. A. P. STATE	SECTION	COUNTY	TOTAL SHEETS	SHEET NO.
607	(124.125)RS-2	LASALLE	9	9
STA.		TO STA.		
FED. ROAD DIST. NO.		ILLINOIS	FED. AID PROJECT	



NOTE: WHEN MILLING OPERATIONS PRODUCE A ROUNDED EDGE, THEN A SAW CUT SHALL BE USED TO MANUFACTURE A PERPENDICULAR EDGE AS SHOWN IN THE DETAIL. THE ENGINEER SHALL BE THE SOLE JUDGE CONCERNING THE USE OF THIS DETAIL

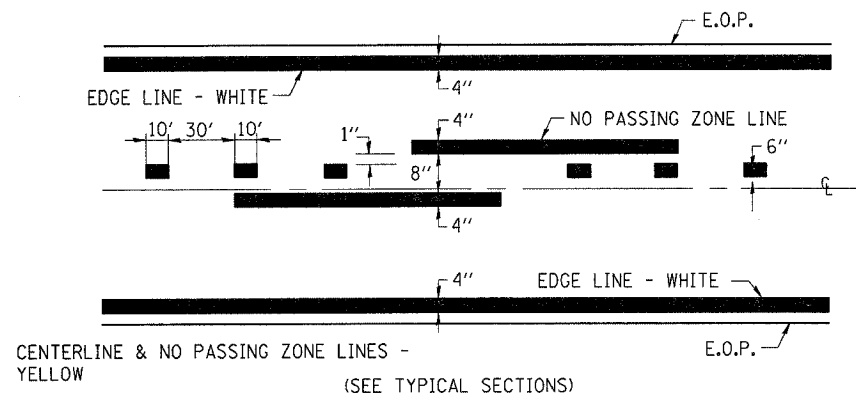
BITUMINOUS DETAIL AT PROJECT LIMITS AND AT OMITTED BRIDGES



* Minimum Distance
 400' for 55 MPH
 250' for 45 MPH
 100' for 35 MPH or Less

NOTES
 The transverse spread of the "x" may vary according to lane width.
 On multi-lane roads, the stop lines shall extend across all approach lanes and separate RXR symbols shall be placed adjacent to each other in each lane.

PAVEMENT MARKINGS AT RAILROAD-HIGHWAY GRADE CROSSING



PAVEMENT MARKING

REVISIONS	
NAME	DATE

ILLINOIS DEPARTMENT OF TRANSPORTATION

DETAILS

10/27/2004 c:\projects\ed0670\detail\is.dgn