

STATE OF ILLINOIS  
DEPARTMENT OF TRANSPORTATION

ROUTE NO.	SECTION	COUNTY	TOTAL SHEETS	SHEET NO.
F.A.P. 330	16BR	KANKAKEE	37	19
ILLINOIS				
CONTRACT NO. 66365				
Sheet 2 of 18				

**GENERAL NOTES**

All new structural steel shall be shop painted with an inorganic zinc rich primer per AASHTO M 300, Type 1.

Reinforcement bars shall conform to the requirements of AASHTO M 31 or M 322 Grade 60.

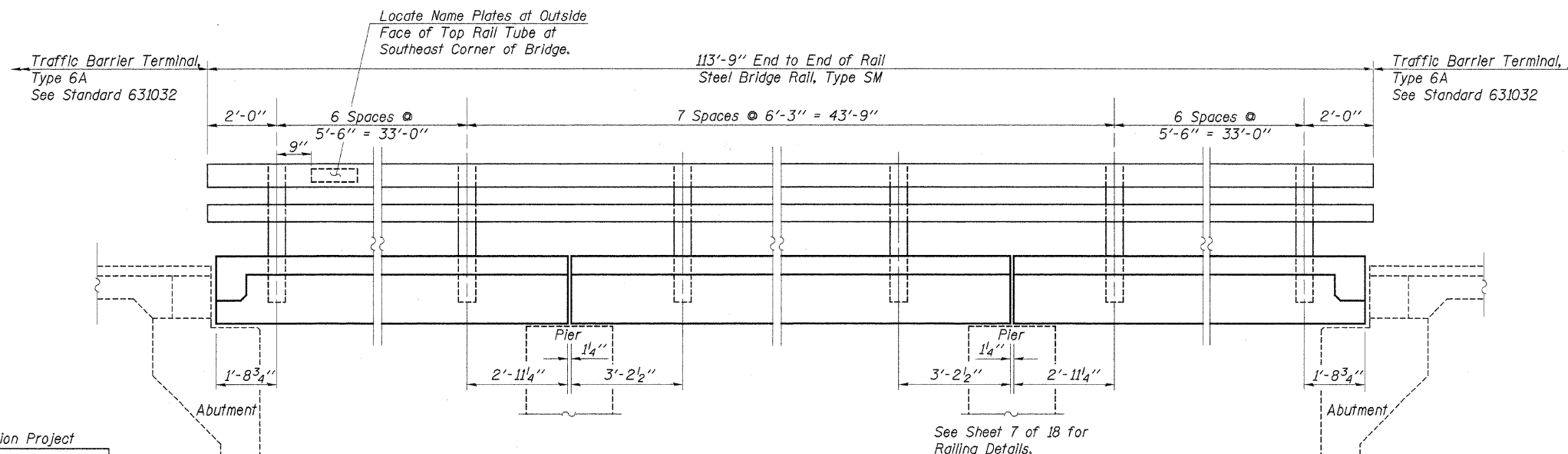
Plan dimensions and details relative to existing structure have been taken from existing plans and are subject to nominal construction variations. It shall be the Contractor's responsibility to verify such dimensions and details in the field and make necessary approved adjustments prior to construction or ordering of materials. Such variations shall not be cause for additional compensation for a change in the scope of the work, however, the Contractor will be paid for the quantity actually furnished at the unit price for the work.

All Construction joints shall be banded.

Bridge Seat Sealer shall be applied to abutment bearing seats where formed concrete repairs are performed.

**TOTAL BILL OF MATERIAL**

ITEM	UNIT	SUPER	SUB	TOTAL
Removal of Existing Superstructures	Each	1		1
Concrete Removal	Cu. Yd.		3.6	3.6
Structure Excavation	Cu. Yd.		3.4	3.4
Concrete Structures	Cu. Yd.		5.4	5.4
Bridge Deck Grooving	Sq. Yd.	503		503
Protective Coat	Sq. Yd.	551	10	561
Concrete Wearing Surface, 5"	Sq. Yd.	482		482
Formed Concrete Repair (Depth Equal to or Less Than 5")	Sq. Ft.		79.4	79.4
Precast Prestressed Concrete Deck Beams (17" Depth)	Sq. Ft.	4521		4521
Reinforcement Bars, Epoxy Coated	Pound	6150	900	7050
Steel Bridge Rail, Type SM	Foot	228		228
Name Plates	Each	1		1
Bridge Seat Sealer	Sq. Ft.		30	30
Epoxy Crack Sealing	Foot		59	59
Bridge Joint System (Expansion), 1"	Foot	81		81
Bar Splacers	Each	119	94	213
Asbestos Bearing Pad Removal	Each	90		90



**RAIL ELEVATION**  
(Showing Inside Face of Railing)

Rehabilitation Project

DESIGNED	A.R.K.
CHECKED	P.S.L. & F.J.S.
DRAWN	S.A.P., K.T.R. & J.P.S.
CHECKED	A.R.K. & F.J.S.

**GENERAL NOTES, TOTAL BILL OF MATERIAL & MISCELLANEOUS DETAILS**

U.S. RTE. 45/52 OVER  
SOUTH BRANCH ROCK CREEK  
F.A.P. RTE. 330 - SECTION 16BR  
KANKAKEE COUNTY  
STA. 356+17.50 - STR. NO. 046-0047

4440 ASH GROVE  
SPRINGFIELD, IL. 62707  
(217) 793-8600  
oasinc@famvid.com

**OZYURT AND STONE, INC.**  
CONSULTING ENGINEERS

JOB NO.: 0306.3  
FILE: GNDLDGN  
DATE: 08-04-04