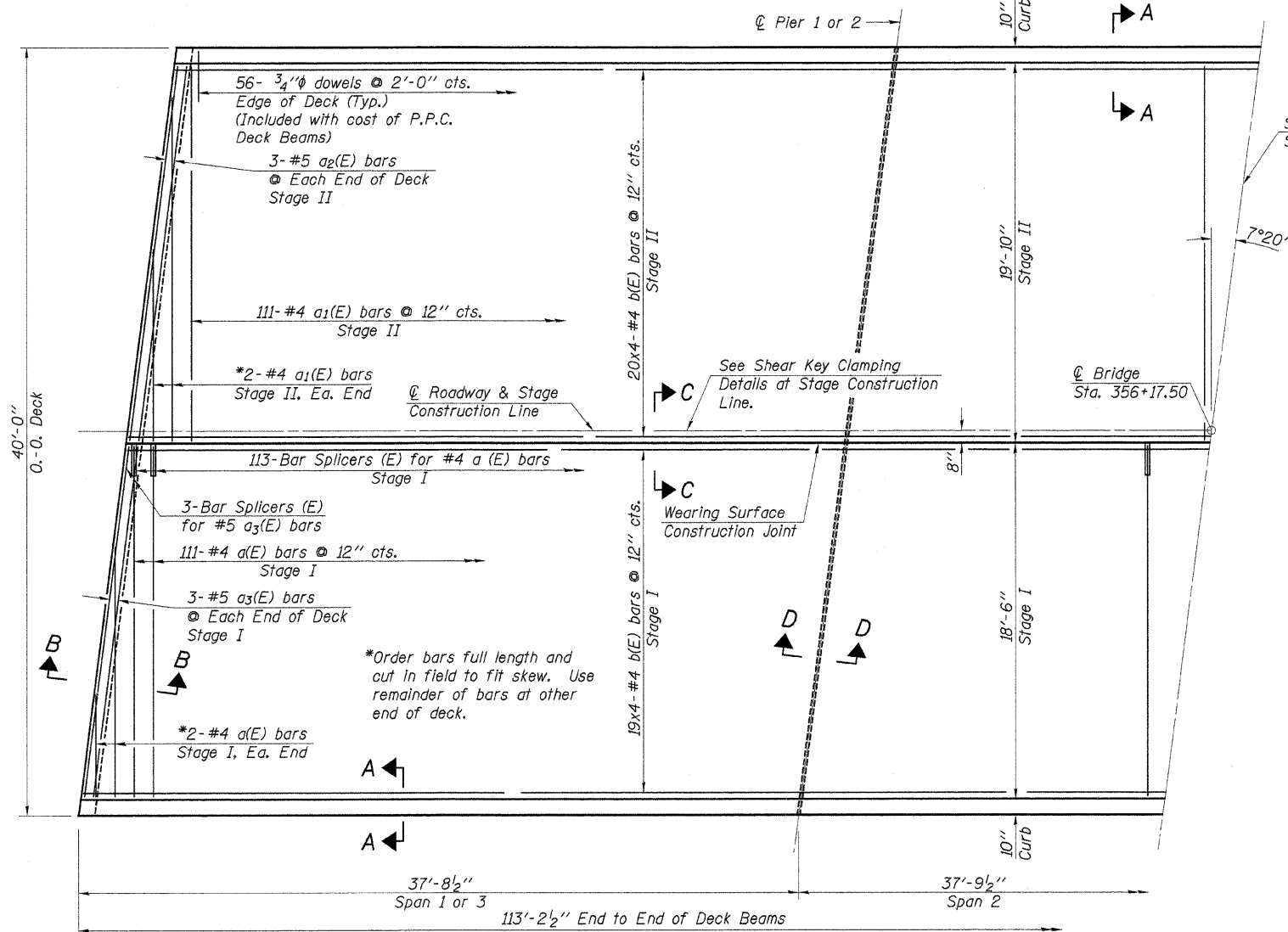


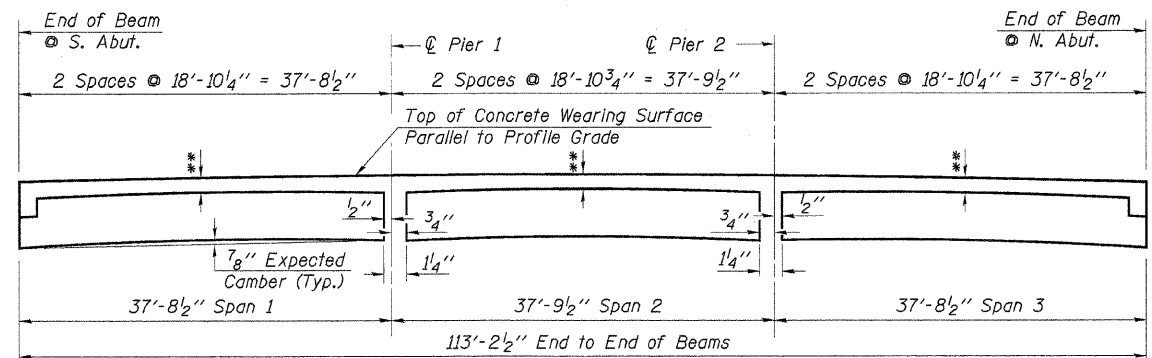
STATE OF ILLINOIS
DEPARTMENT OF TRANSPORTATION

ROUTE NO.	SECTION	COUNTY	TOTAL SHEETS	SHEET NO.
F.A.P. 330	16BR	KANKAKEE	37	23

ILLINOIS
CONTRACT No. 66365
Sheet 6 of 18



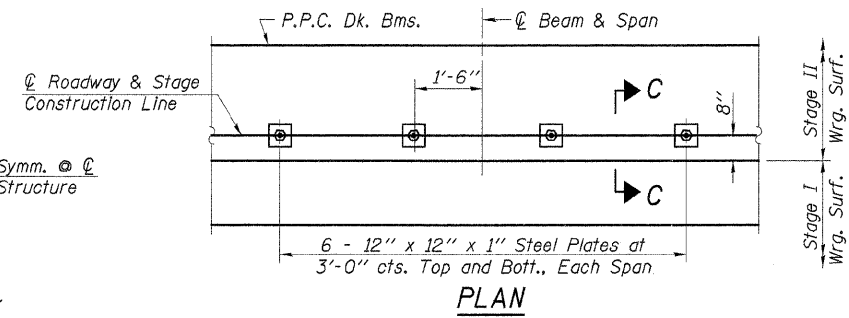
HALF PLAN - WEARING SURFACE



WEARING SURFACE PROFILE

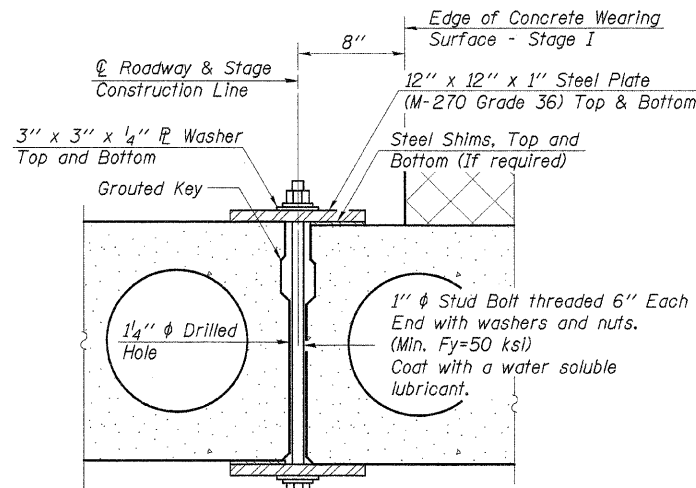
CONCRETE WEARING SURFACE THICKNESS

Location	End Bm. S. Abut.	Span 1	Pier 1	Span 2	Pier 2	Span 3	End Bm. N. Abut.
Edge of Deck	7"	5 ⁵ / ₈ "	5 ⁷ / ₈ "	5 ¹ / ₈ "	5 ⁷ / ₈ "	5 ¹ / ₂ "	6 ³ / ₄ "
Curb Ht. @ Edge of Deck	6 ⁵ / ₈ "	5 ¹ / ₄ "	5 ³ / ₈ "	4 ⁵ / ₈ "	5 ³ / ₈ "	5 ¹ / ₄ "	6 ⁵ / ₈ "



CLAMPING PLATE

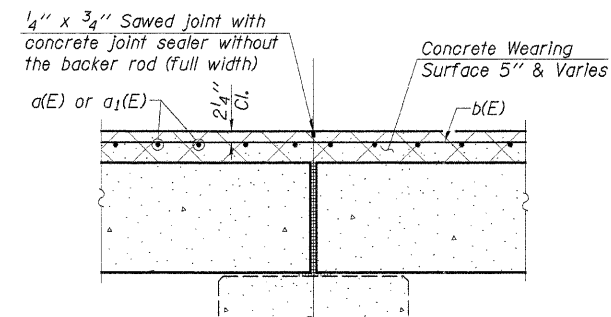
See Special Provisions for Stage Construction of Precast Prestressed Concrete Deck Beams. Cost included with "Precast Prestressed Concrete Deck Beams". See Stage Construction Details for traffic lanes, Sheet 3 of 18.



SECTION C-C

MIN. BAR LAPS #4 1'-4"

SHEAR KEY CLAMPING DETAILS



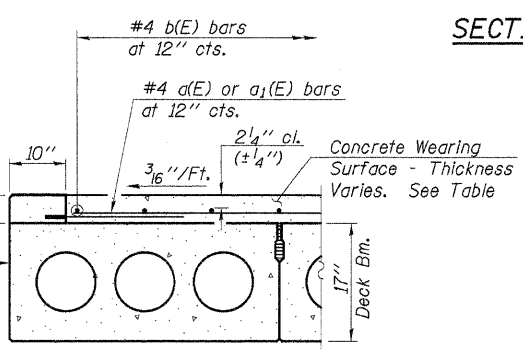
SECTION D-D

CONCRETE WEARING SURFACE BILL OF MATERIAL

Bar	No.	Size	Length	Shape
a(E)	113	#4	18'-3"	---
a ₁ (E)	113	#4	19'-7"	---
a ₂ (E)	6	#5	20'-7"	---
a ₃ (E)	6	#5	19'-3"	---
b(E)	156	#4	29'-3"	---

Material	Unit	Quantity
Reinforcement Bars, Epoxy Coated	Pound	6150
Concrete Wearing Surface 5"	Sq. Yd.	482
Bridge Deck Grooving	Sq. Yd.	503
Protective Coat	Sq. Yd.	551

Bars indicated thus 19x4-#4 etc. indicates 19 lines of bars with 4 lengths per line. Reinforcement bars designated (E) shall be Epoxy Coated.



SECTION A-A

Rehabilitation Project

DESIGNED	A.R.K.
CHECKED	P.S.L. & F.J.S.
DRAWN	S.A.P., K.T.R. & J.P.S.
CHECKED	A.R.K. & F.J.S.

Work this Sheet with Sheets 4 & 5 of 18.

SUPERSTRUCTURE DETAILS

U.S. RTE. 45/52 OVER
SOUTH BRANCH ROCK CREEK
F.A.P. RTE. 330 - SECTION 16BR
KANKAKEE COUNTY
STA. 356+17.50 - STR. NO. 046-0047

4440 ASH GROVE
SPRINGFIELD, IL 62707
(217) 793-8600
oasinc@amvid.com

OZYURT AND STONE, INC.
CONSULTING ENGINEERS

JOB NO.: 0306.3
FILE: SUPER03.DGN
DATE: 08-04-04