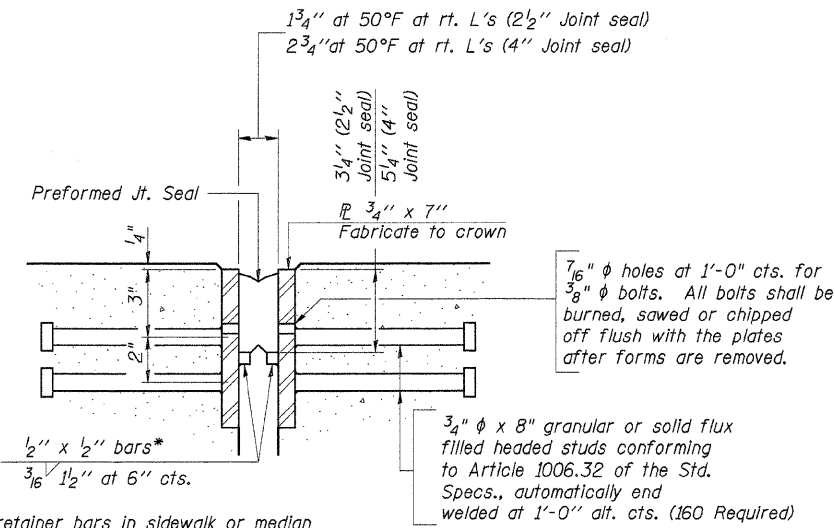


STATE OF ILLINOIS
DEPARTMENT OF TRANSPORTATION

ROUTE NO.	SECTION	COUNTY	TOTAL SHEETS	SHEET NO.
F.A.P. 330	16BR	KANKAKEE	37	25

ILLINOIS
CONTRACT NO. 66365
Sheet 8 of 18



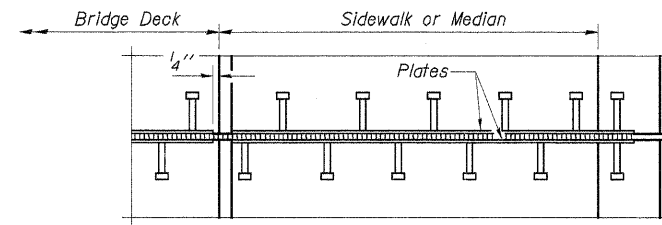
*Cut retainer bars in sidewalk or median 6 inch short of the sidewalk or median face.

SECTION THRU EXPANSION JOINT
(2 1/2 inch and 4 inch joint seals)

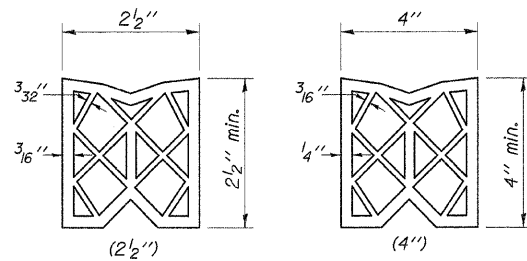
Bridge Joint System (Expansion)		
Design Movement	Required Preformed Joint Seal Size	Required Strip Seal Rated movement
1 inch	2 1/2 inch	1 inch
1 5/8 inch	4 inch	2 inch

GENERAL NOTES

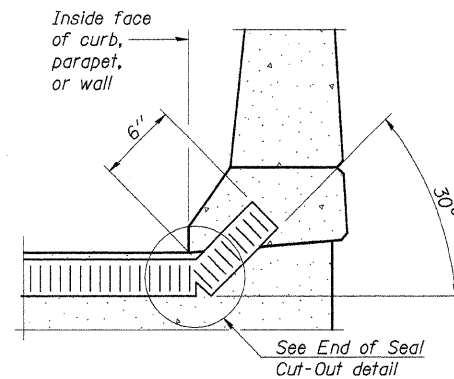
Furnish steel plates in segments of 20 feet maximum length. Maximum space between installed segments shall be 3/16 inch. Seal space with silicone sealant suitable for structural steel.



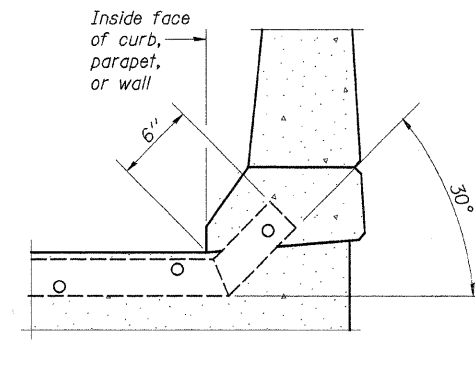
PLAN AT SIDEWALK OR MEDIAN



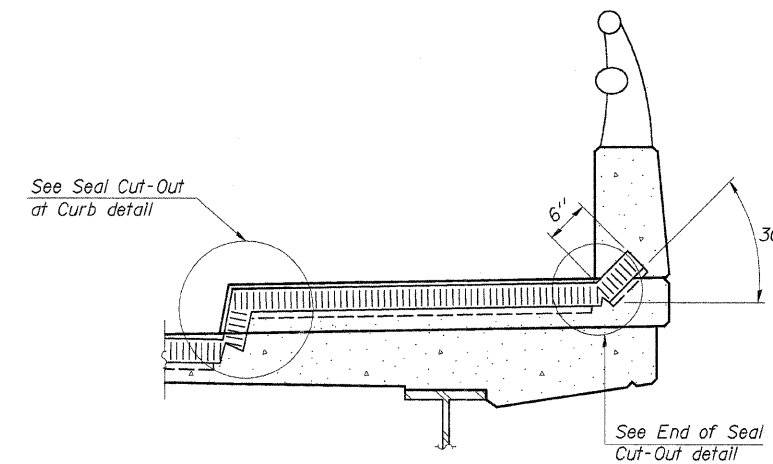
PREFORMED JOINT SEAL



AT CURB, PARAPET, OR WALL
(Showing seal)



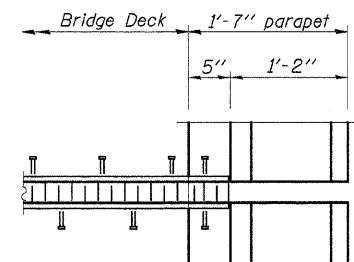
AT CURB, PARAPET, OR WALL
(Showing plate)



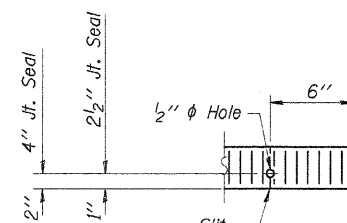
AT SIDEWALK OR MEDIAN*
(Showing plate and seal)

* Shorter plates with a single row of studs at 12 inch centers may be necessary on medians which are shallower than 9 inch. See manufacturer's recommendation.

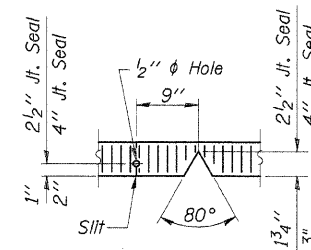
TYPICAL END TREATMENTS



PLAN AT PARAPET



END OF SEAL CUT-OUT



SEAL CUT-OUT AT CURB

BILL OF MATERIAL

Item	Unit	Total
Bridge Joint System (Expansion), 1 inch	Foot	81

(Sheet 1 of 2)

**BRIDGE JOINT SYSTEM - EXPANSION
(PREFORMED JOINT SEAL)**

U.S. RTE. 45/52 OVER
SOUTH BRANCH ROCK CREEK
F.A.P. RTE. 330 - SECTION 16BR
KANKAKEE COUNTY
STA. 356+17.50 - STR. NO. 046-0047

4440 ASH GROVE
SPRINGFIELD, IL 62707
(217) 793-8600
oasinc@famvid.com

OZYURT AND STONE, INC.
CONSULTING ENGINEERS

JOB NO.: 0306.3
FILE: JOINTOLDGN
DATE: 08-04-04

Rehabilitation Project
DESIGNED A.R.K.
CHECKED P.S.L. & F.J.S.
DRAWN S.A.P., K.T.R. & J.P.S.
CHECKED A.R.K. & F.J.S.
EJ-BJS 9-01-03