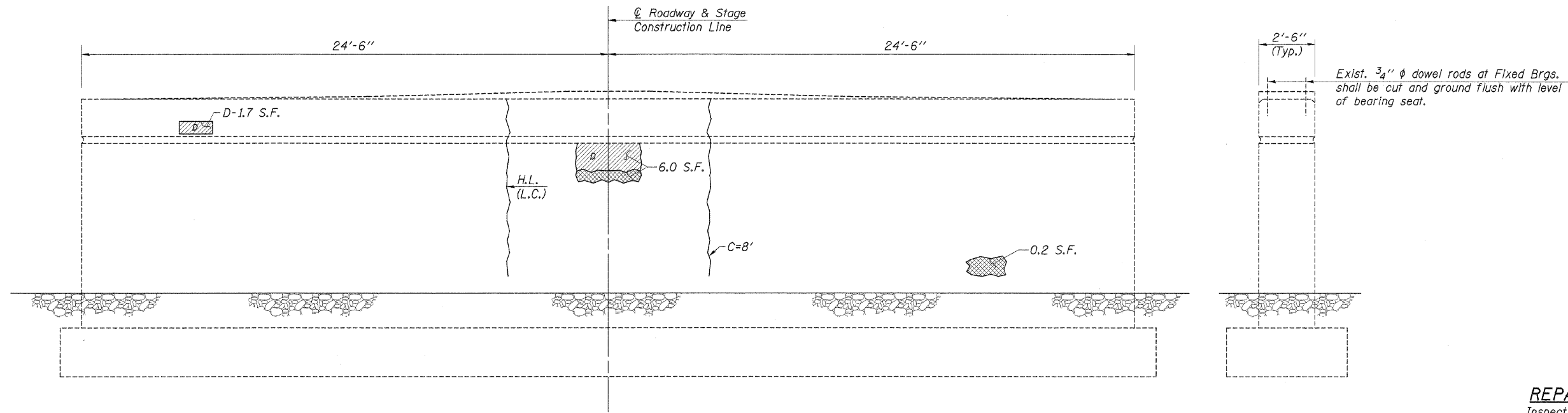


STATE OF ILLINOIS
DEPARTMENT OF TRANSPORTATION

ROUTE NO.	SECTION	COUNTY	TOTAL SHEETS	SHEET NO.
F.A.P. 330	16BR	KANKAKEE	37	30

ILLINOIS
CONTRACT NO. 66365
Sheet 13 of 18



SOUTH ELEVATION - PIER 1

EAST ELEVATION

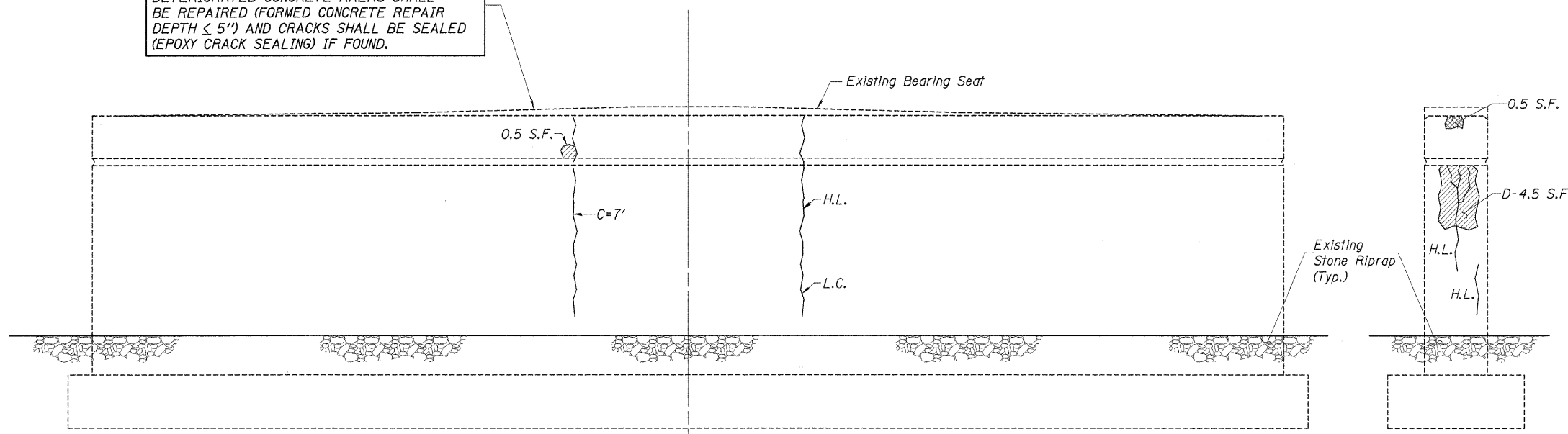
REPAIR LEGEND

Inspection Date: 5-19-04

- Moisture Stained or Leached Area
- Hairline Crack - Not to be Sealed
- Crack (> 1/16" Width) EPOXY CRACK SEALING
- Leached Crack (> 1/16" Width) EPOXY CRACK SEALING
- Delaminated Area FORMED CONC. REPAIR
- Spalled Area (Depth ≤ 5") FORMED CONC. REPAIR

EXISTING BEARING SEAT TO BE INSPECTED BY THE ENGINEER AFTER DECK BEAM REMOVAL. DETERIORATED CONCRETE AREAS SHALL BE REPAIRED (FORMED CONCRETE REPAIR DEPTH ≤ 5") AND CRACKS SHALL BE SEALED (EPOXY CRACK SEALING) IF FOUND.

NOTE: PIER 1 CRACK REPAIR LENGTHS AND F.C.R. AREAS ARE ESTIMATED FROM 5-19-04 SURVEY WORK. ACTUAL LOCATIONS AND QUANTITIES OF REPAIRS SHALL BE SHOWN BY THE ENGINEER ON AS-BUILT PLANS FOR THIS SECTION.



NORTH ELEVATION - PIER 1

WEST ELEVATION

**PIER 1
BILL OF MATERIAL
REPAIR QUANTITY SUMMARY**

ITEM	UNIT	TOTAL
Epoxy Crack Sealing	Foot	15
Formed Concrete Repair (Depth < 5")	Sq. Ft.	13.4

See Sheet 5 of 18 for New Deck Section at Pier.

Rehabilitation Project

DESIGNED	A.R.K.
CHECKED	P.S.L. & F.J.S.
DRAWN	S.A.P., K.T.R. & J.P.S.
CHECKED	A.R.K. & F.J.S.

PIER 1 REPAIR DETAILS

U.S. RTE. 45/52 OVER
SOUTH BRANCH ROCK CREEK
F.A.P. RTE. 330 - SECTION 16BR
KANKAKEE COUNTY
STA. 356+17.50 - STR. NO. 046-0047

4440 ASH GROVE
SPRINGFIELD, IL 62707
(217) 793-8600
oasinc@famvid.com

OZYURT AND STONE, INC.
CONSULTING ENGINEERS

JOB NO.: 0306.3
FILE: PIEROLDGN
DATE: 08-04-04