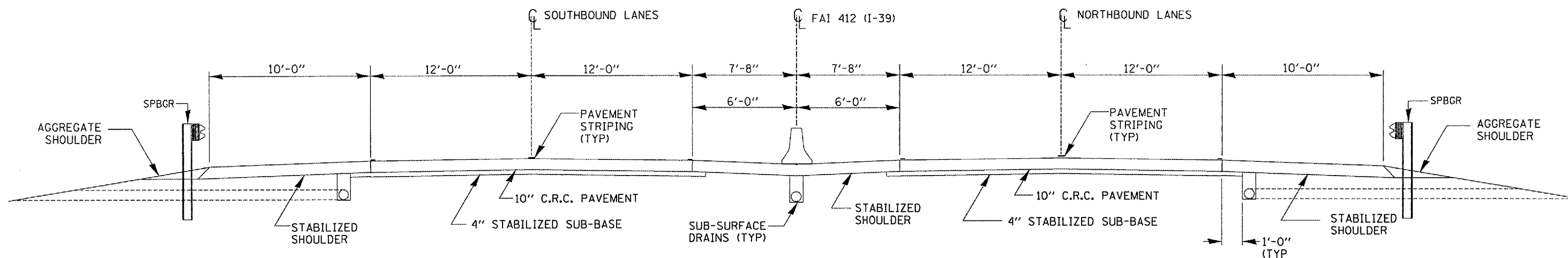
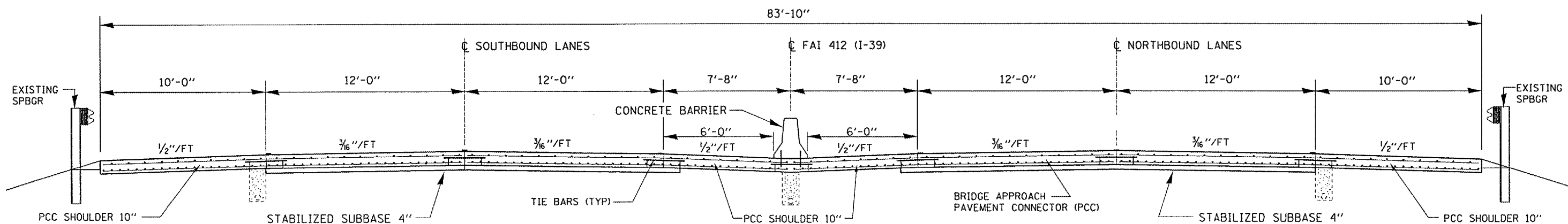


F.A. RTE.	SECTION	COUNTY	TOTAL SHEETS	SHEET NO.
412	(50-4B-1)I	LASALLE	20	4



**EXISTING TYPICAL SECTION**

- STA. 883+55 TO STA. 884+62
- STA. 885+05 TO STA. 886+08 (S.B. LANES)
- STA. 883+84 TO STA. 884+82
- STA. 885+25 TO STA. 886+28 (N.B. LANES)



**PROPOSED TYPICAL SECTION**

- STA. 883+55 TO STA. 884+62
- STA. 885+05 TO STA. 886+08 (S.B. LANES)
- STA. 883+84 TO STA. 884+82
- STA. 885+25 TO STA. 886+28 (N.B. LANES)

REVISIONS	
NAME	DATE

ILLINOIS DEPARTMENT OF TRANSPORTATION

**TYPICAL SECTIONS**

SCALE: VERT.      DRAWN BY RLW  
 HORIZ.              CHECKED BY  
 DATE 08/16/04

cmain05/cm301/details.dgn