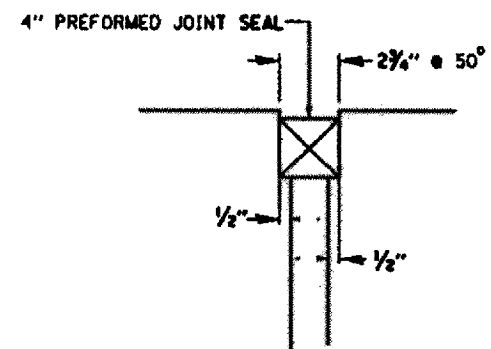
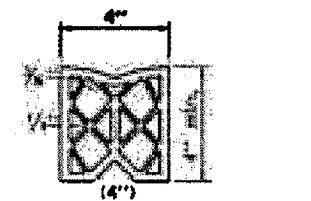
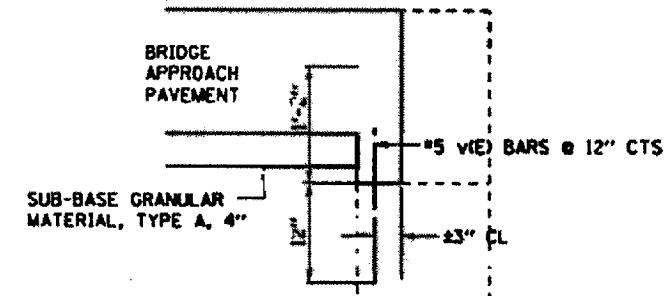
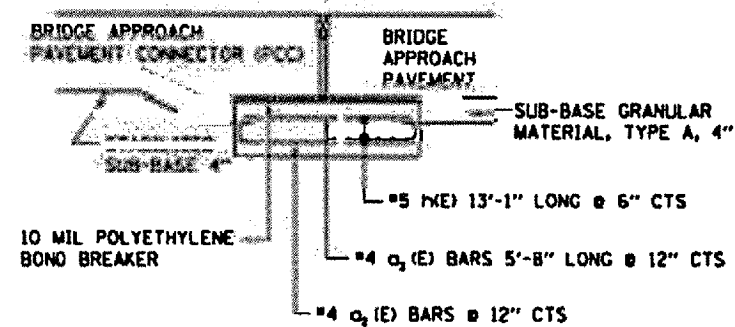
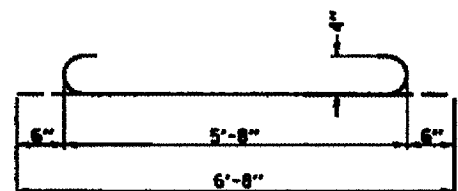
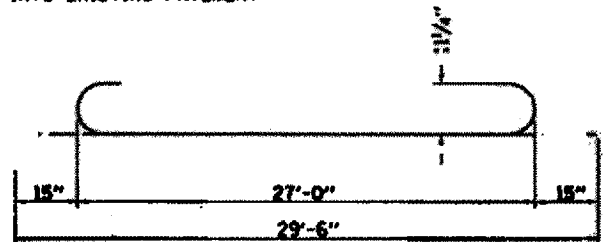
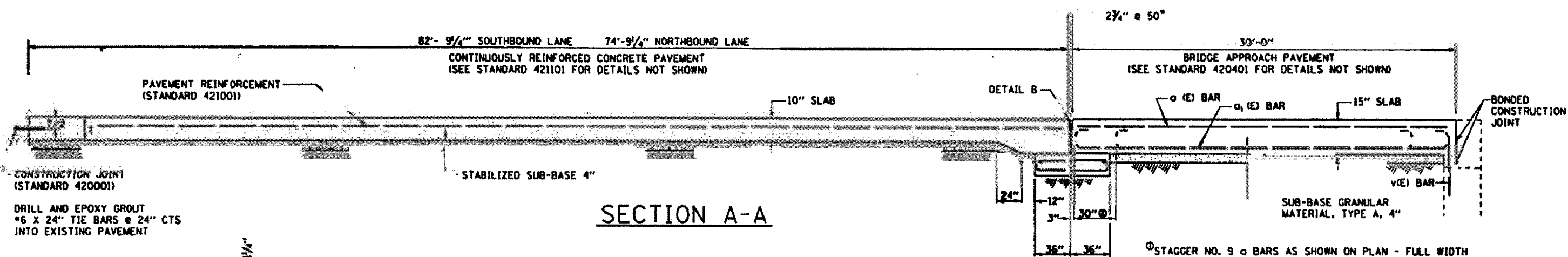


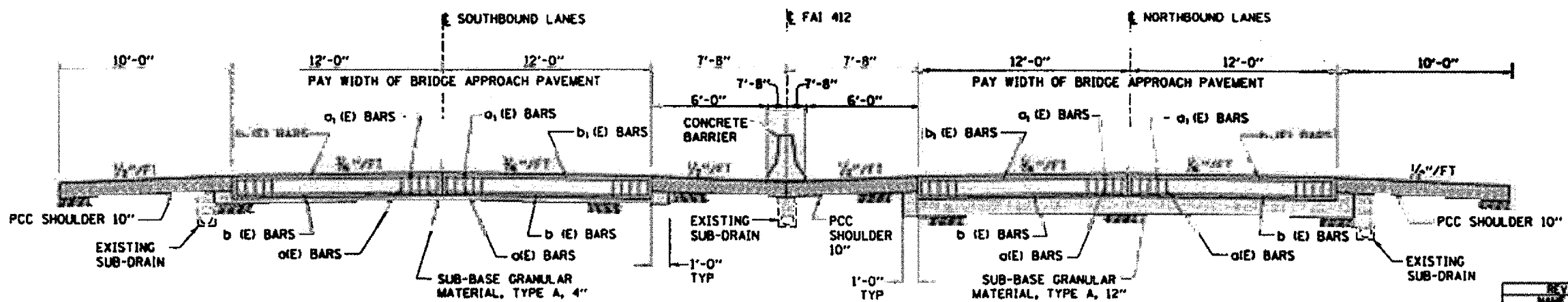
F.A. RTE.	SECTION	COUNTY	TOTAL SHEETS	SHEET NO.
412	(50-48-11)	LASALLE	20	12



DRILL AND EPOXY GROUT #6 (E) BARS.

#6 (E) BARS MAY BE DRILLED AT A SLIGHT ANGLE TO AVOID EXISTING REINFORCEMENT IN ABUT WALL.

#6 (E) BARS SHALL BE DRILLED ±3/4" FROM EXISTING BAR



REVISIONS	DATE

ILLINOIS DEPARTMENT OF TRANSPORTATION

CONSTRUCTION DETAILS

SOUTH APPROACHES

SCALE: VERT. DATE: 08/16/04

DRAWN BY: RLV

CHECKED BY:

cmaln05/cm301/det/0816-04.dgn