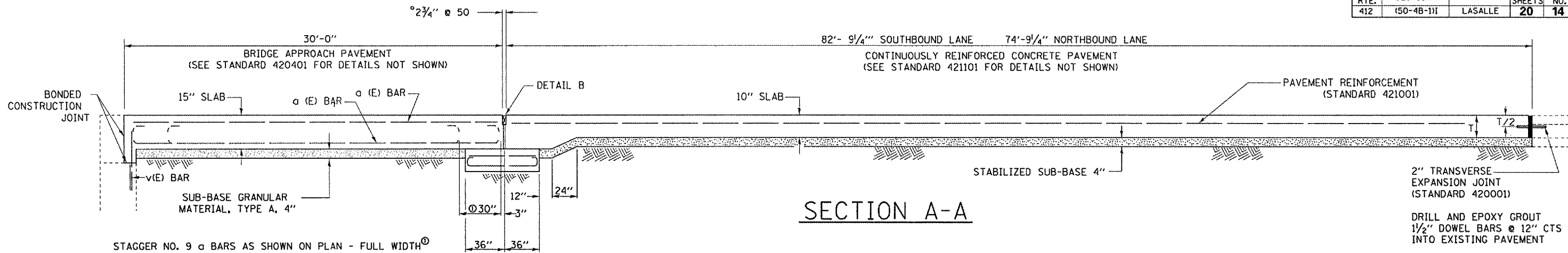
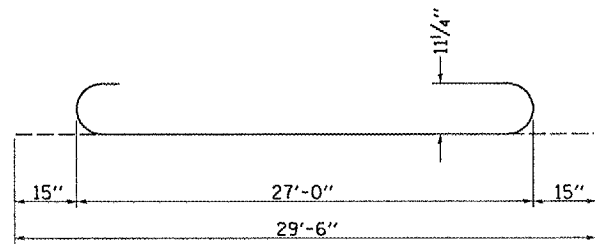


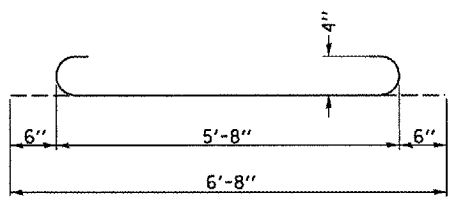
F.A. RTE.	SECTION	COUNTY	TOTAL SHEETS	SHEET NO.
412	(50-4B-1)I	LASALLE	20	14



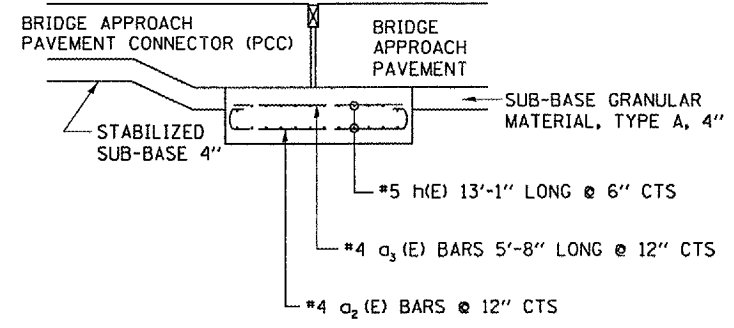
SECTION A-A



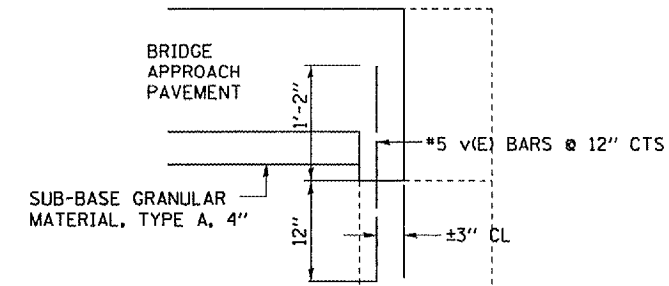
BAR a (E)



BAR a₂ (E)

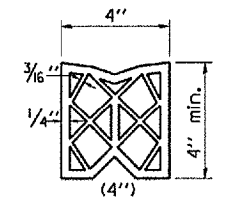


SECTION C-C

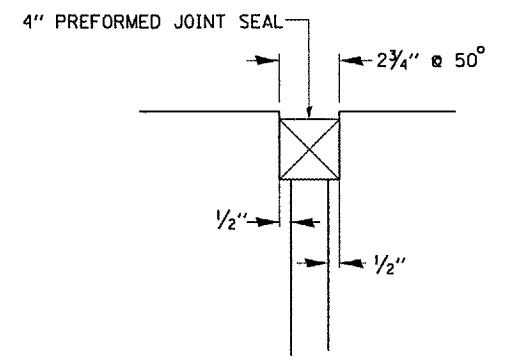


SECTION D-D

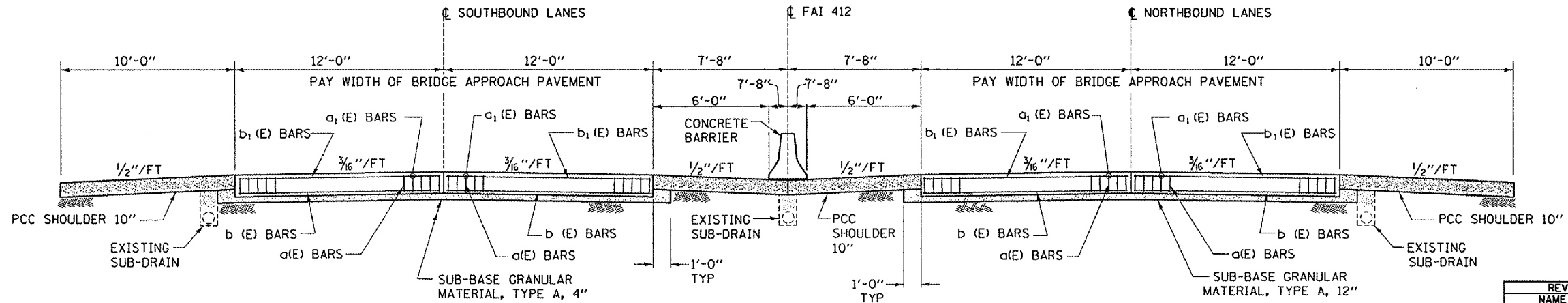
•DRILL AND EPOXY GROUT v(E) BARS.
v(E) BARS MAY BE DRILLED AT A SLIGHT ANGLE TO AVOID EXISTING REINFORCEMENT IN ABUT WALL.
v(E) BARS SHALL BE DRILLED ±3/4" FROM EXISTING BAR



PREFORMED JOINT SEAL 4"



DETAIL B



SECTION B-B

REVISIONS	
NAME	DATE

ILLINOIS DEPARTMENT OF TRANSPORTATION

CONSTRUCTION DETAILS

NORTH APPROACHES

SCALE: VERT. HORIZ. DATE 08/16/04

DRAWN BY RLW CHECKED BY

cm301/cm301/det.dwg