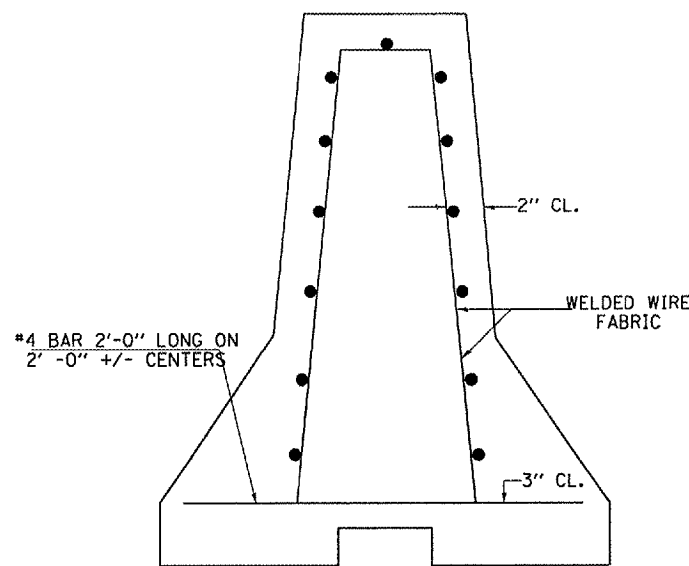
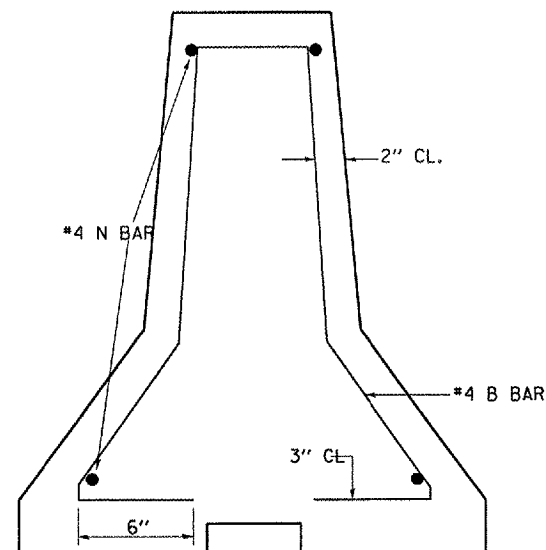


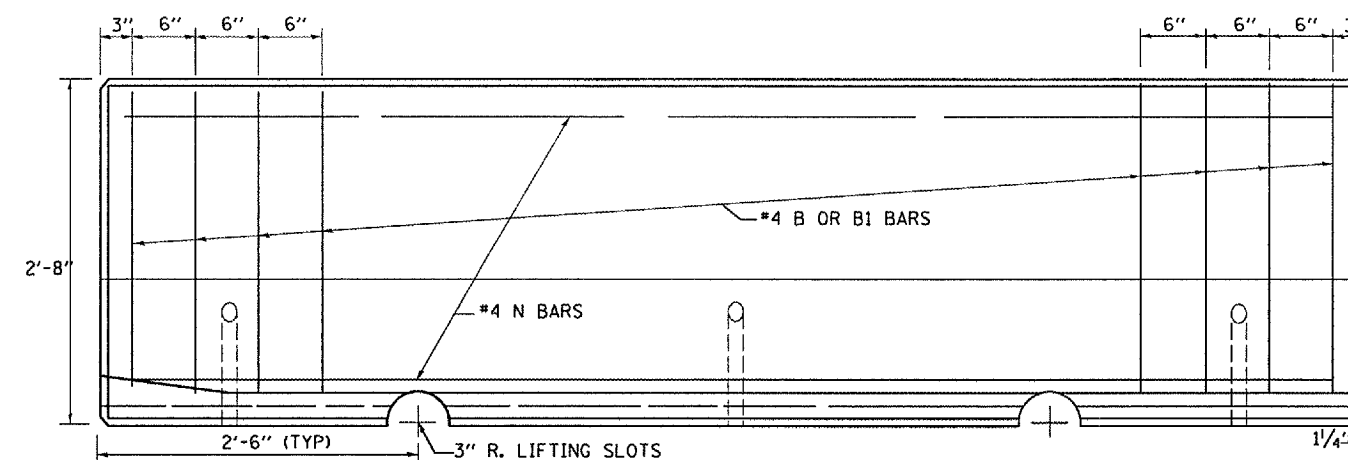
F.A. RTE.	SECTION	COUNTY	TOTAL SHEETS	SHEET NO.
412	(50-4B-1)1	LASALLE	20	16



SECTION A-A
SHOWING ALTERNATE WELDED WIRE REINFORCEMENT



SECTION A-A
SHOWING ALTERNATE BAR REINFORCEMENT



ELEVATION
SHOWING ALTERNATE BAR REINFORCEMENT

**GENERAL NOTES
for Cast-in-Place Barrier**

In lieu of welded wire fabric, the Contractor may elect to use 4-#4 deformed horizontal reinforcement bars on 9-inch centers and #4 deformed vertical reinforcement bars on 2'-6" centers. (The vertical bar may be omitted if the wall is slip formed.) Minimum bar lap shall be 1'-1"

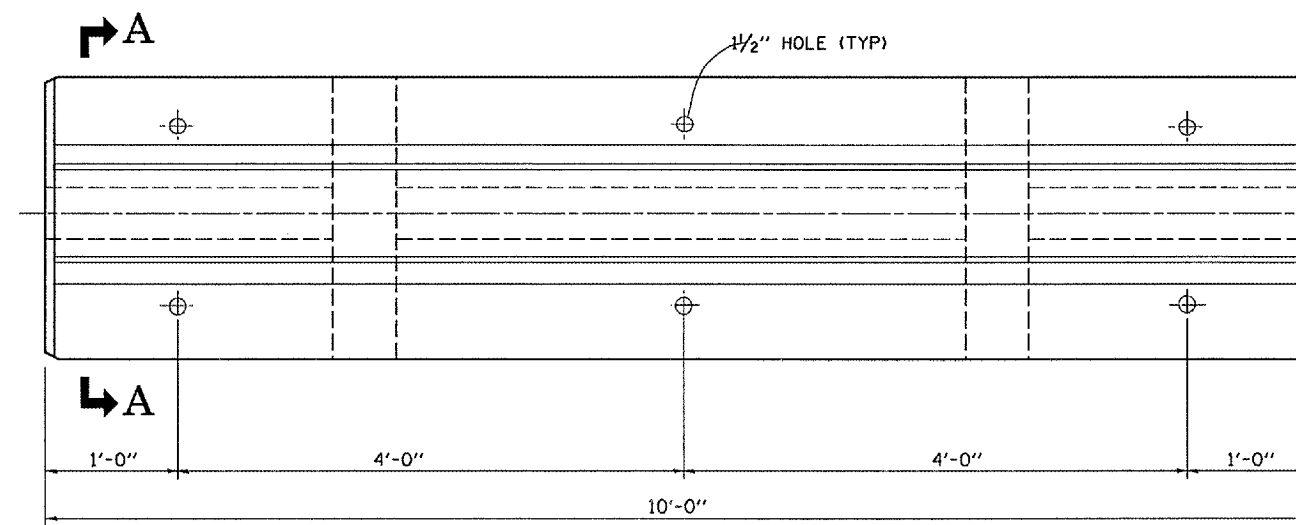
When the surface in front of the wall is sloped towards the wall and is greater than 0.04', the axis of symmetry of that face shall be vertical. When the surface in front of the wall is sloped away from the wall and is greater than 0.04', the axis of symmetry of that face shall be perpendicular to the surface.

Dowel bars shall be on 4'-0" centers and staggered side to side except when polyethylene bond breaker is used. Dowel bars may be eliminated for new rigid base when barrier is cast integrally with the base. A 2"x6" key way cast into the base may be used in lieu of dowels.

Construction joints shall be formed with the use of a smooth header and the reinforcement shall be continuous through all construction joints.

Contraction joints shall be installed at existing joints in the adjoining pavement and at uniform intervals with a maximum spacing of 20 feet. Reinforcement shall be continuous thru the joints. The joints shall be 1/8" minimum width by 2" deep and may be either formed or sawed.

Expansion joints shall be installed in the concrete barrier when built adjoining concrete pavement or concrete shoulders. The joints shall be in prolongation with and similar in opening to the type of joint adjoining it.



PLAN

REVISIONS	
NAME	DATE

ILLINOIS DEPARTMENT OF TRANSPORTATION
**CONCRETE BARRIER
DOUBLE FACE
(MODIFIED)**

SCALE: VERT.
HORIZ.
DATE 08/16/04

DRAWN BY RLW
CHECKED BY

cm301/details.dgn