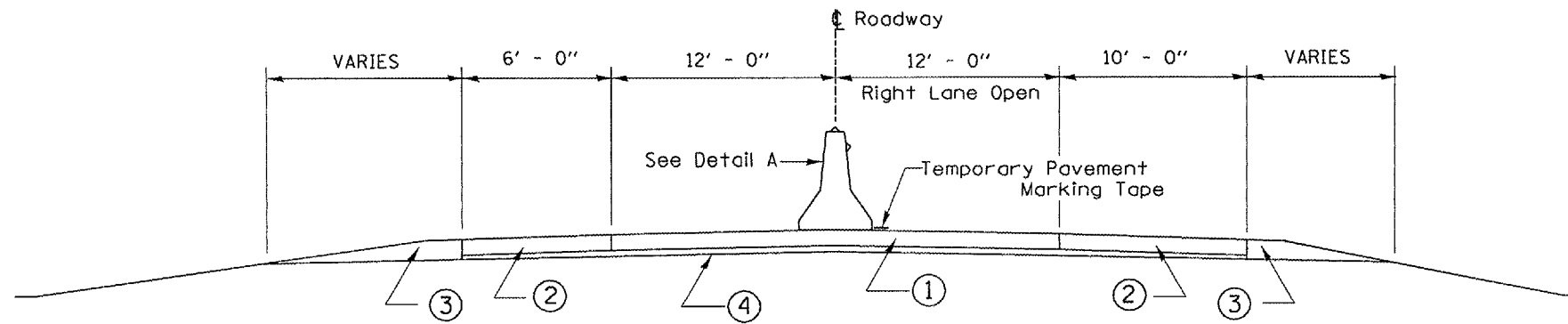


66518

F.A.I. RTE.	SECTION	COUNTY	TOTAL SHEETS	SHEET NO.
412	5013HB-1,3HB,2HB,1HB-2BP	LASALLE	14	6
ILLINOIS				

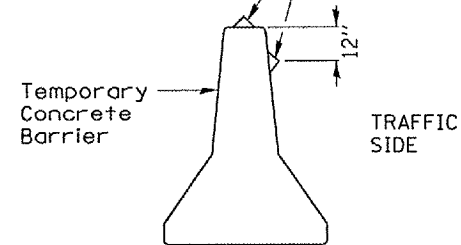
LENGEND

- ↑ Arrow Board
- ▨ Work Zone
- ⊢ Sign
- ⊕ Direction indicator barricade with steady burn monodirectional light
- ⊖ Type II barricade, drum or vertical barricade with stead burn monodirectional light
- Temporary concrete barrier
- ◁ Type C Monodirectional reflector
- Vertical panel with steady burn monodirectional light
- ▩ Impact attenuator

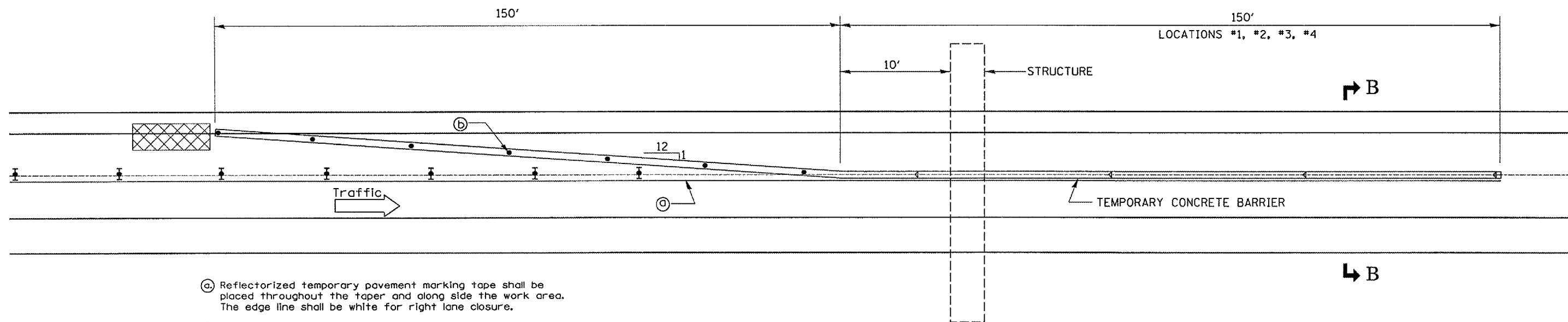


SECTION B-B

Type C Monodirectional Reflectors on tangent portion of barrier @ 50' cts.



DETAIL A



PLAN

- a. Reflectorized temporary pavement marking tape shall be placed throughout the taper and along side the work area. The edge line shall be white for right lane closure.
- b. Vertical panels at 25' centers with steady burning monodirectional lights.

REVISIONS	
NAME	DATE

ILLINOIS DEPARTMENT OF TRANSPORTATION
TRAFFIC CONTROL DETAILS
LEFT LANE CLOSURE

SCALE: VERT. _____
 HORIZ. _____
 DATE 06/21/04
 DRAWN BY RW
 CHECKED BY _____

Work this sheet with Traffic Control Standards 701400 & 701402

Date: 06/21/04
 cmain05/cm318/details.dgn