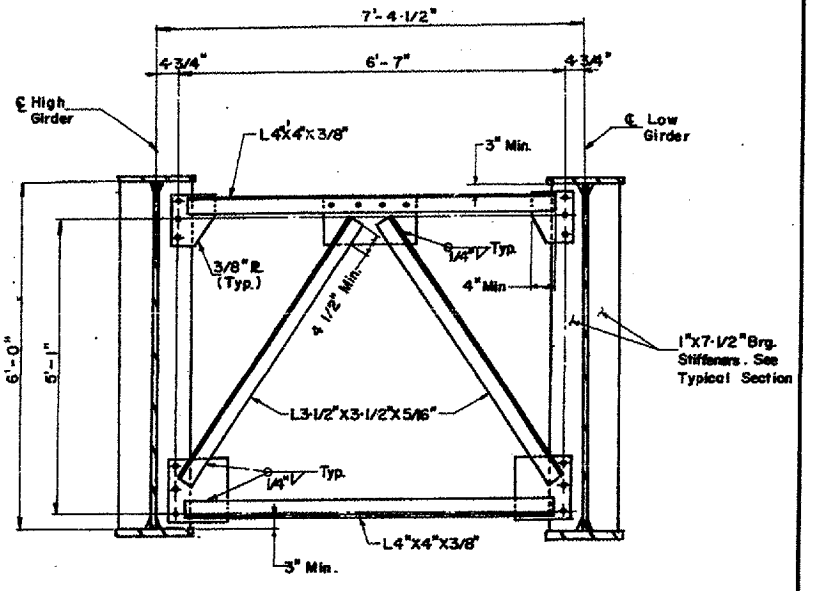
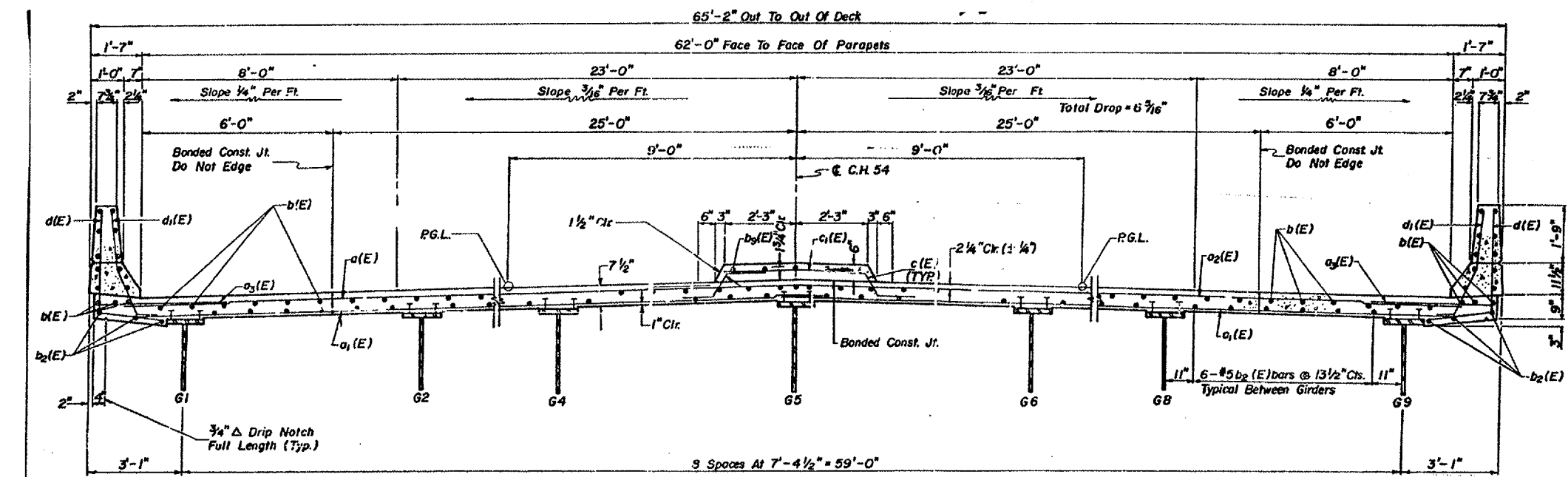
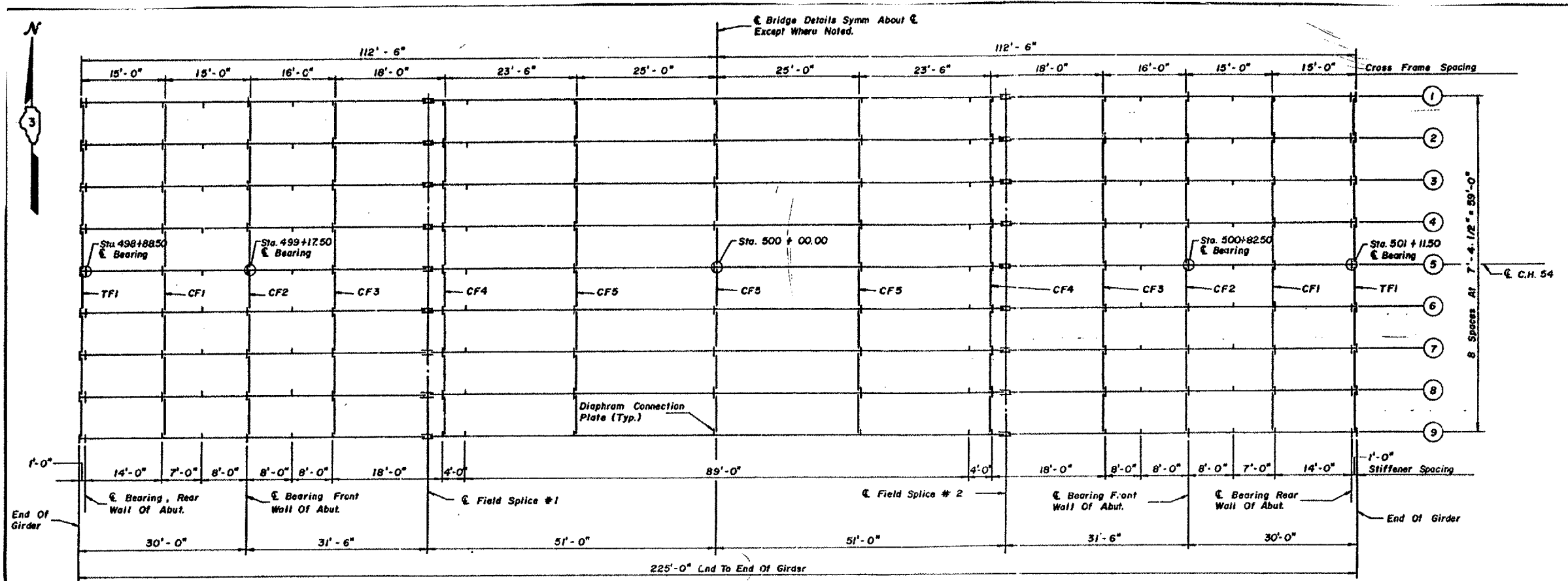


F.A.I. RTE.	SECTION	COUNTY	TOTAL SHEETS	SHEET NO.
412	VARIOUS	LASALLE	14	8

CONTRACT NO. 66518



REVISIONS	
NAME	DATE

ILLINOIS DEPARTMENT OF TRANSPORTATION
**EXISTING STRUCTURE PLANS
 FOR INFORMATION ONLY**
BRIDGE LOCATION 1
S.N. 050-0204

SCALE: VERT. _____
 HORIZ. _____
 DATE 06/21/04

DRAWN BY RW
 CHECKED BY _____

Date: 06/21/04
 cmain05/cm318/details.dgn