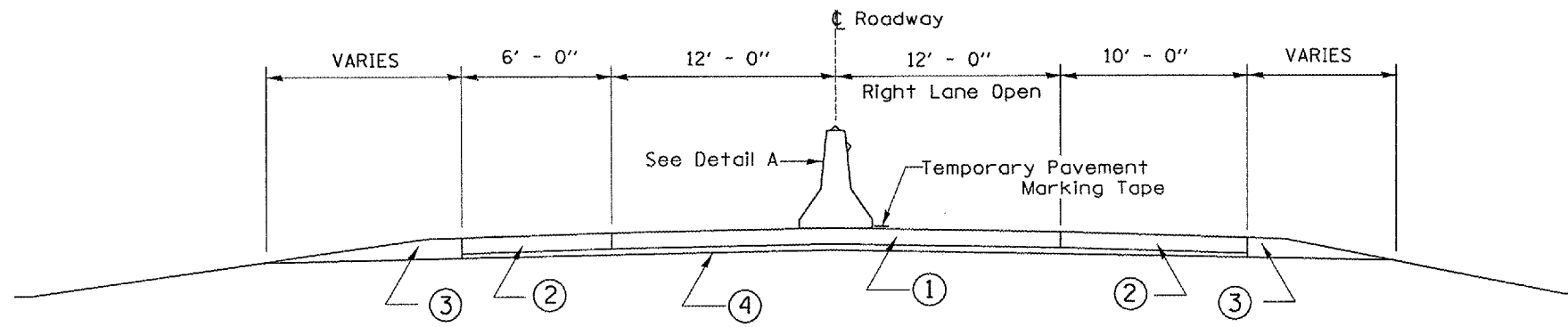


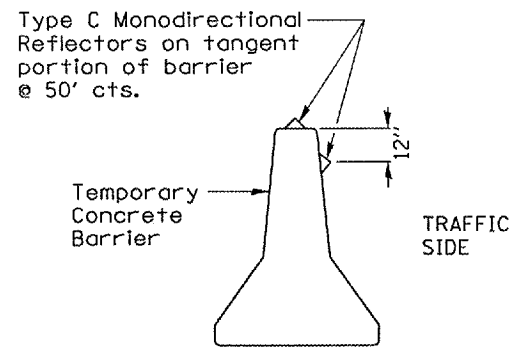
F.A.I. RTE.	SECTION	COUNTY	TOTAL SHEETS	SHEET NO.
412	150-3HB-21BP	LASALLE	7	5
ILLINOIS				

**LENGEND**

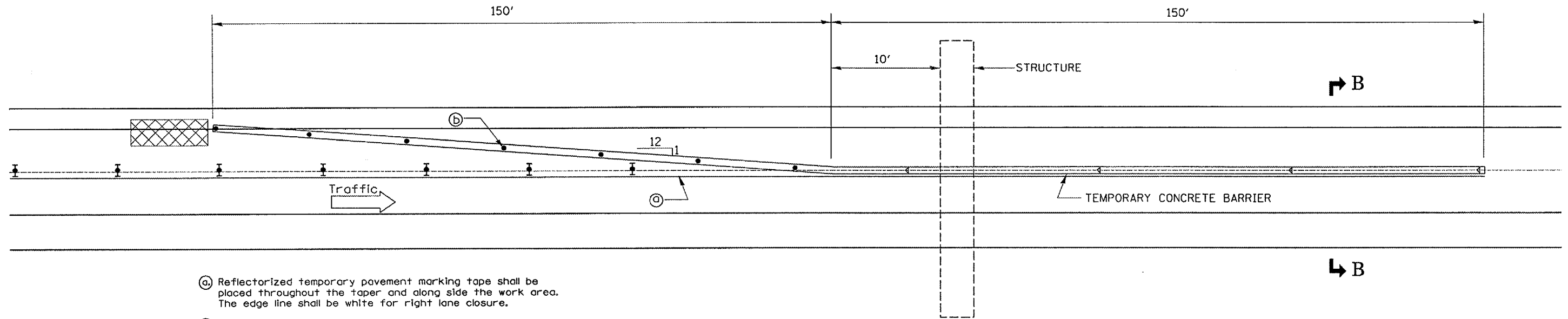
- ↑ Arrow Board
- ▨ Work Zone
- ⊢ Sign
- Direction indicator barricade with steady burn monodirectional light
- Type II barricade, drum or vertical barricade with steady burn monodirectional light
- Temporary concrete barrier
- ◁ Type C Monodirectional reflector
- Vertical panel with steady burn monodirectional light
- ▩ Impact attenuator



**SECTION B-B**



**DETAIL A**



**PLAN**

- (a) Reflectorized temporary pavement marking tape shall be placed throughout the taper and along side the work area. The edge line shall be white for right lane closure.
- (b) Vertical panels at 25' centers with steady burning monodirectional lights.

REVISIONS	
NAME	DATE

ILLINOIS DEPARTMENT OF TRANSPORTATION  
**TRAFFIC CONTROL DETAILS**  
**LEFT LANE CLOSURE**  
 SCALE: VERT. \_\_\_\_\_  
 HORIZ. \_\_\_\_\_  
 DATE 6/21/04  
 DRAWN BY RW  
 CHECKED BY \_\_\_\_\_

**Work this sheet with Traffic Control Standards 701400 & 701402**