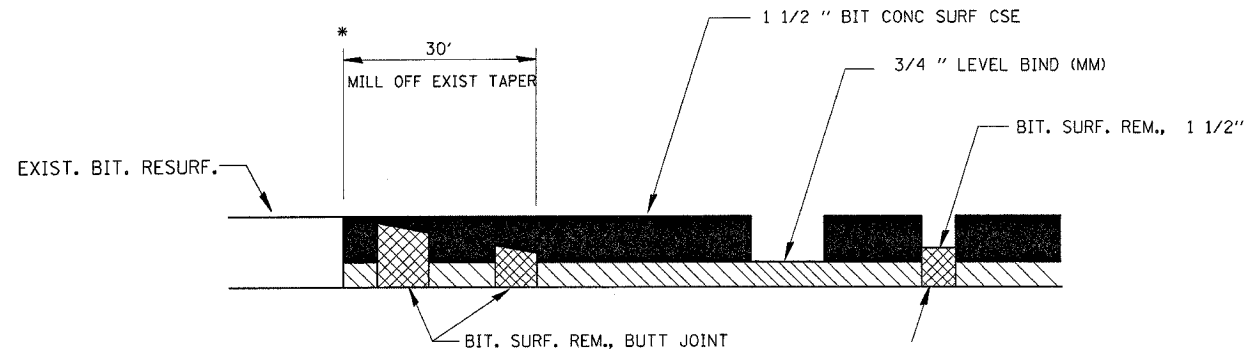


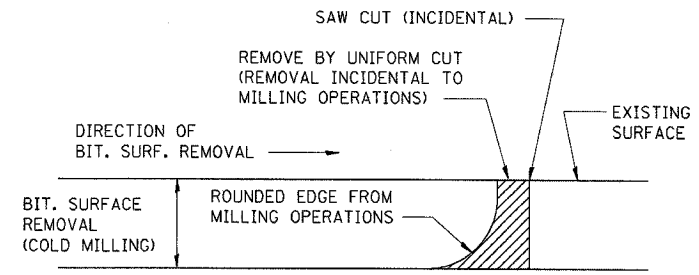
F.A.P. RTE.	SECTION	COUNTY	TOTAL SHEETS	SHEET NO.
649	*	LIVINGSTON	15	13
STA.	TO STA.			
FED. ROAD DIST. NO.	ILLINOIS	FED. AID PROJECT		

*161RS-4,17,281RS-2



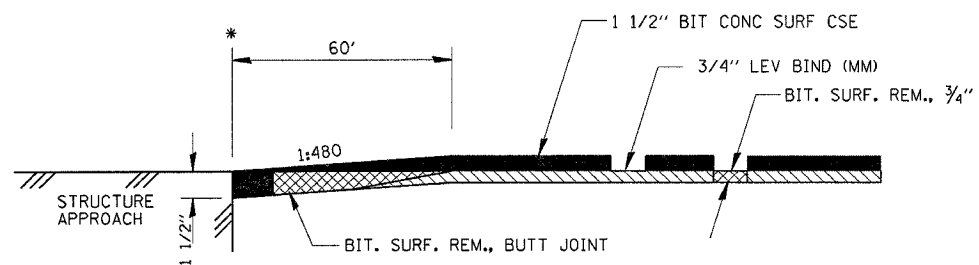
BEGINNING BUTT JOINT

* STA. 101+90



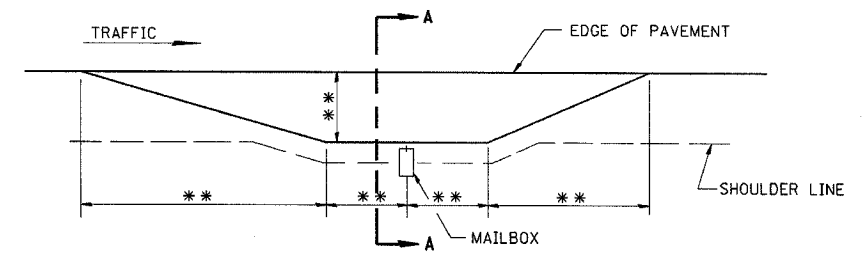
NOTE: WHEN MILLING OPERATIONS PRODUCE A ROUNDED EDGE, THEN A SAW CUT SHALL BE USED TO MANUFACTURE A PERPENDICULAR EDGE AS SHOWN IN THE DETAIL. THE ENGINEER SHALL BE THE SOLE JUDGE CONCERNING THE USE OF THIS DETAIL.

BITUMINOUS DETAIL AT BUTT JOINTS

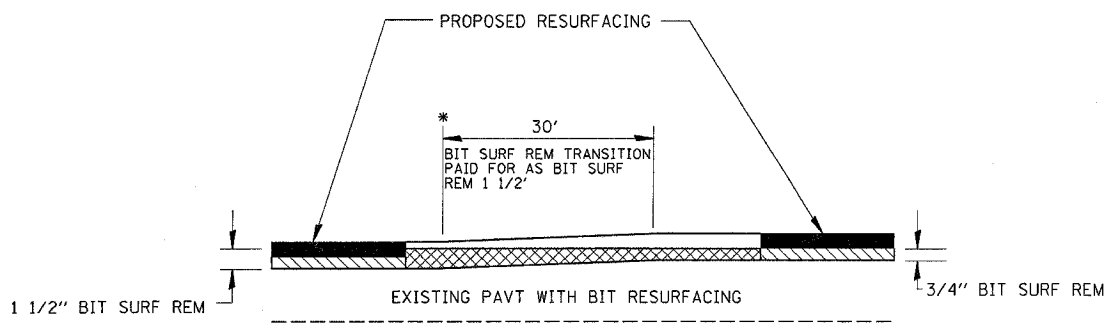


ENDING TAPER

* STA. 710+86

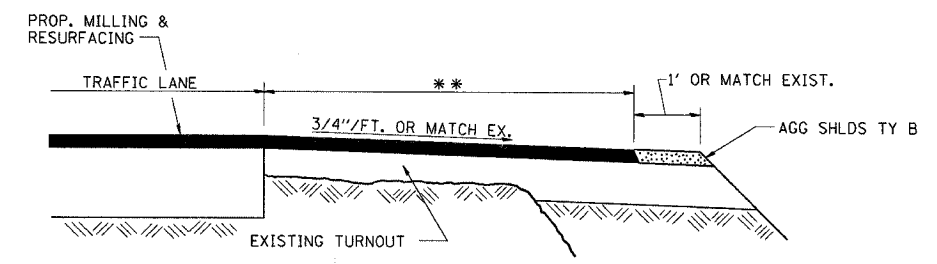


** MATCH EXISTING FOR ADDITIONAL INFORMATION SEE STANDARD 406201



MILLING TRANSITION TAPER

* STA. 263+66



**SECTION A-A
MAILBOX TURNOUT DETAILS**

REVISIONS	
NAME	DATE

ILLINOIS DEPARTMENT OF TRANSPORTATION

DETAILS

SCALE: VERT. _____
HORIZ. _____

DATE _____ DRAWN BY _____
CHECKED BY _____

PLOT DATE = 11/2/2004
PLOT SCALE = 1/4" = 1'-0"
REFERENCE = #REF#