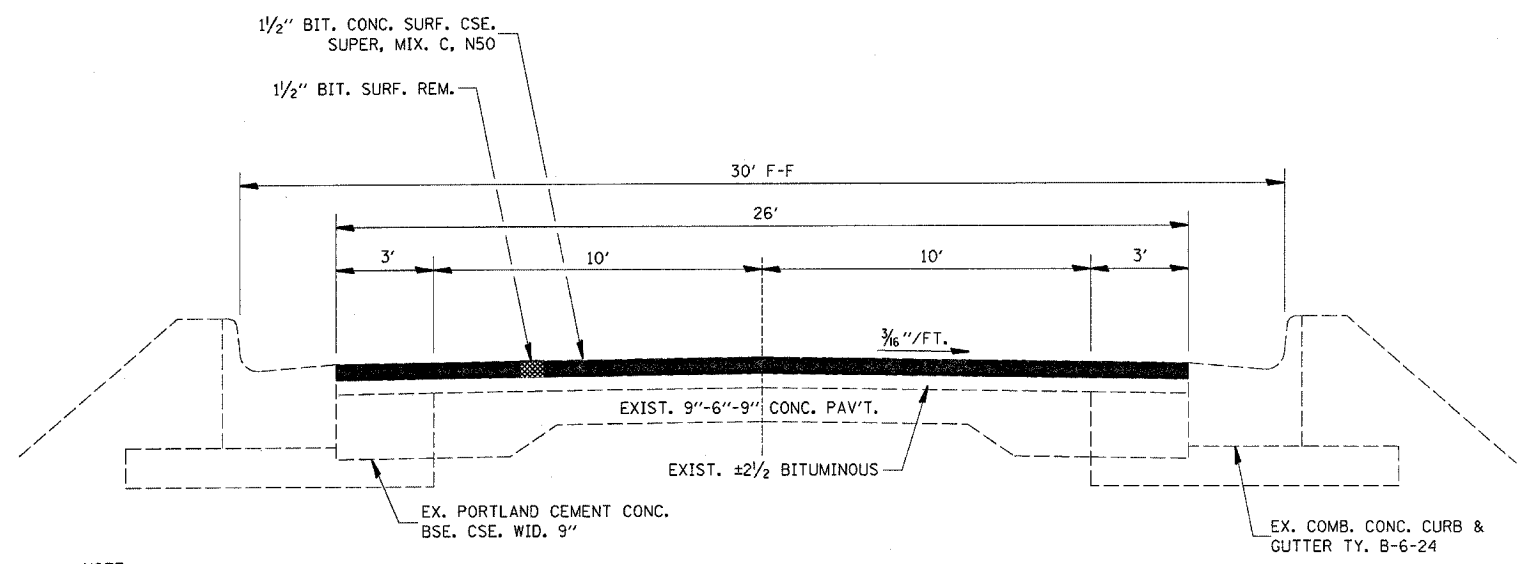


F.A.P. RTE.	SECTION	COUNTY	TOTAL SHEETS	SHEET NO.
71	(116,117)RS-1		12	4
STA.		TO STA.		
FED. ROAD DIST. NO.		ILLINOIS FED. AID PROJECT		
• MCLEAN, CHAMPAIGN, FORD				



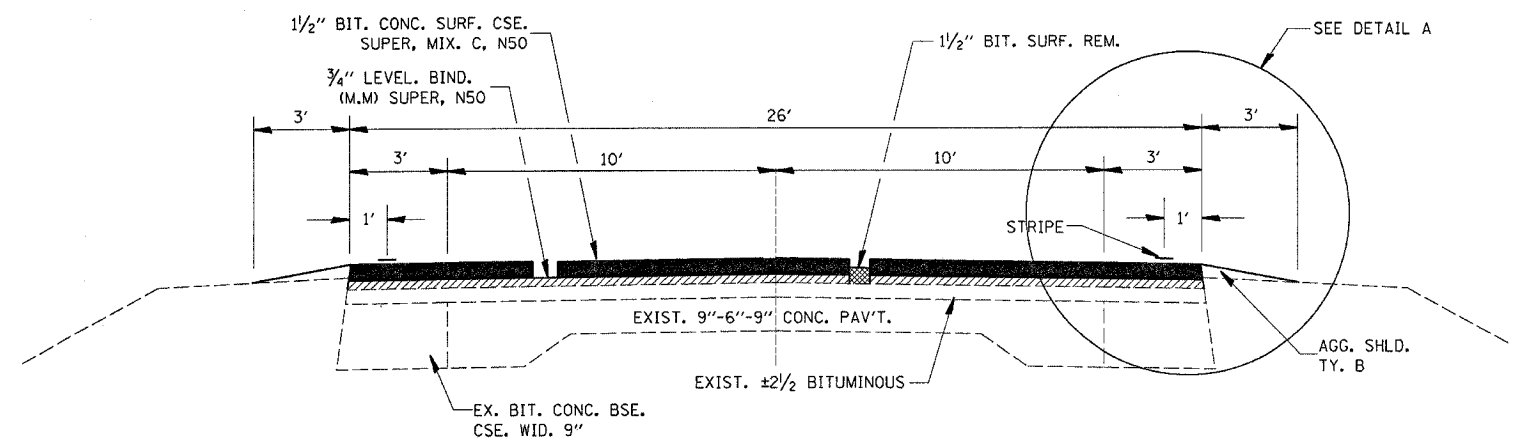
**NOTE:**  
 LT. STA. 8+55.67 TO LT. STA. 11+78  
 EXIST. BIT. CONC. BSE. CSE. WID. 9"

**TYPICAL SECTION**  
 STA. 8+55 TO STA. 28+93

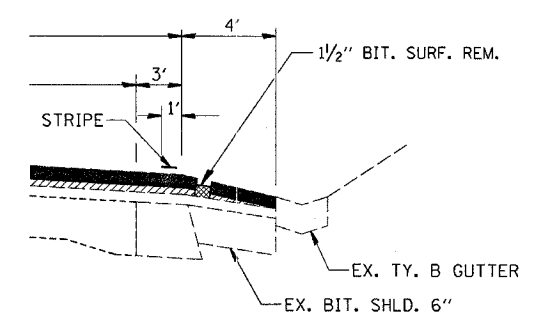
**MIXTURES TABLE**

	SUPERPAVE SURFACE	SUPERPAVE LEVEL BINDER	SUPERPAVE INCIDENTAL SURFACE	SUPERPAVE BINDER FOR PATCHES
PG GRADE	PG 64-22	PG 64-22	PG 64-22	PG 64-22
MAX % RAP ALLOWABLE**	15	25	15	25
DESIGN AIR VOIDS	4.0% @ N50	4.0% @ N50	4.0% @ N50	4.0% @ N50
MIXTURE COMPOSITION	IL 12.5 OR IL 9.5	IL 9.5	IL 12.5 OR IL 9.5	IL 19.0
FRICTION AGGREGATE	MIXTURE C		MIXTURE C	
PLANT LIMITS	CLASS I	CLASS I	CLASS I	CLASS I
DENSITY CONTROL	CORRELATION	SATISFACTION OF THE ENGINEER	SATISFACTION OF THE ENGINEER	CORES

\*\* IF RAP OPTION IS SELECTED, THE ASPHALT CEMENT GRADE MAY NEED ADJUSTED. THIS WILL BE DETERMINED BY THE ENGINEER.



**TYPICAL SECTION**  
 STA. 28+93 TO STA. 593+69.5  
 STATION EQUATION  
 STA. 67+57.76 BK = STA. 57+58.76 AH



**DETAIL A**  
 STA. 59+00 TO STA. 63+00

PLOT DATE = 11/9/2004  
 FILE NAME = 060116  
 PLOT SCALE = 1/8"=1'-0"  
 REFERENCE = 060116

REVISIONS	
NAME	DATE

ILLINOIS DEPARTMENT OF TRANSPORTATION

**TYPICAL SECTIONS**

SCALE: VERT. DATE  
 HORIZ. CHECKED BY

DRAWN BY