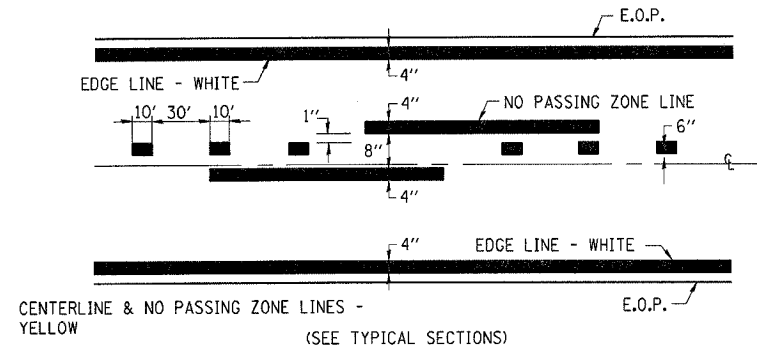
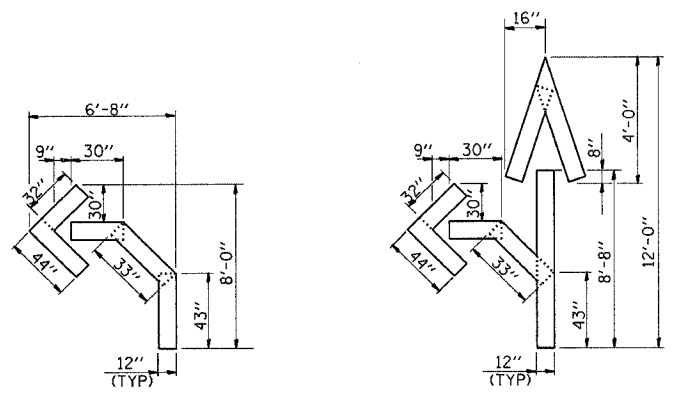


F.A.P. RTE.	SECTION	COUNTY	TOTAL SHEETS	SHEET NO.
71	(116,117)RS-1	•	12	12
STA. TO STA.				
FED. ROAD DIST. NO.		ILLINOIS	FED. AID PROJECT	
• MCLEAN, CHAMPAIGN, FORD				

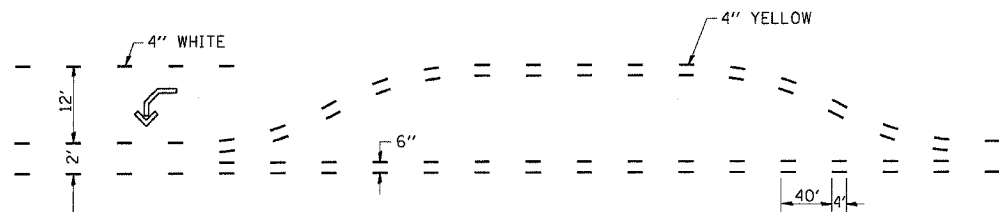


PAVEMENT MARKING

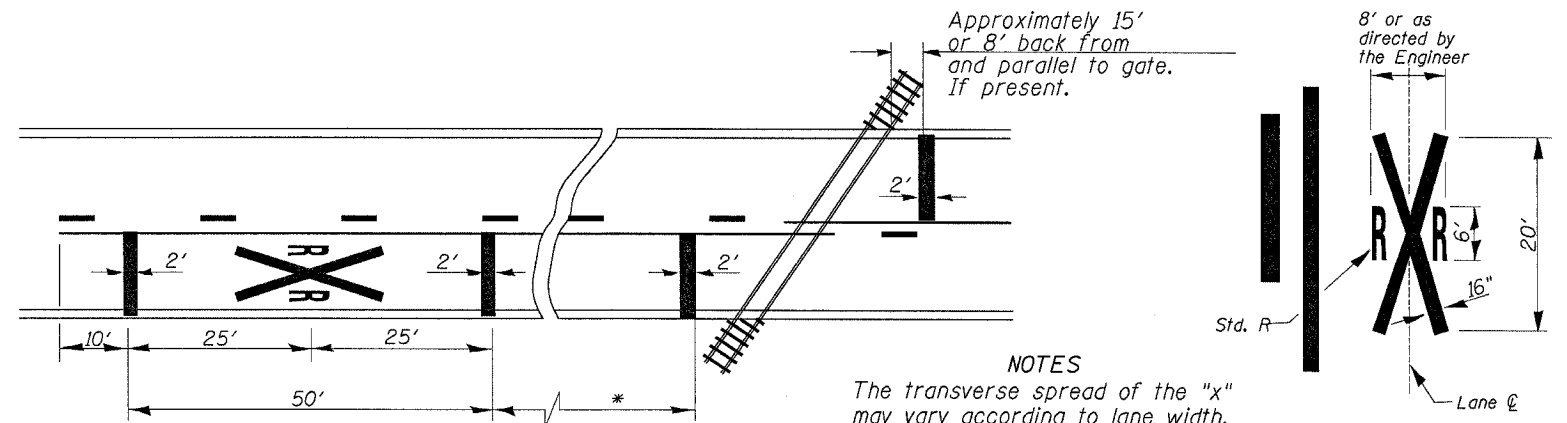


QUANTITY
12" LINE = 16 LIN. FT.
OR 4" LINE = 48 LIN. FT.

QUANTITY
12" LINE = 29 LIN. FT.
OR 4" LINE = 87 LIN. FT.



SHORT-TERM PAVEMENT MARKING FOR MEDIANS AND ARROWS



PAVEMENT MARKINGS AT RAILROAD-HIGHWAY GRADE CROSSING

NOTES
The transverse spread of the "x" may vary according to lane width.
* As Directed By The Engineer
On multi-lane roads, the stop lines shall extend across all approach lanes and separate RXR symbols shall be placed adjacent to each other in each lane.

REVISIONS		ILLINOIS DEPARTMENT OF TRANSPORTATION
NAME	DATE	
		DETAILS

SCALE: VERT. HORIZ.
DATE

DRAWN BY
CHECKED BY

11/2/2004
FILE
SCALE
REFERENCE