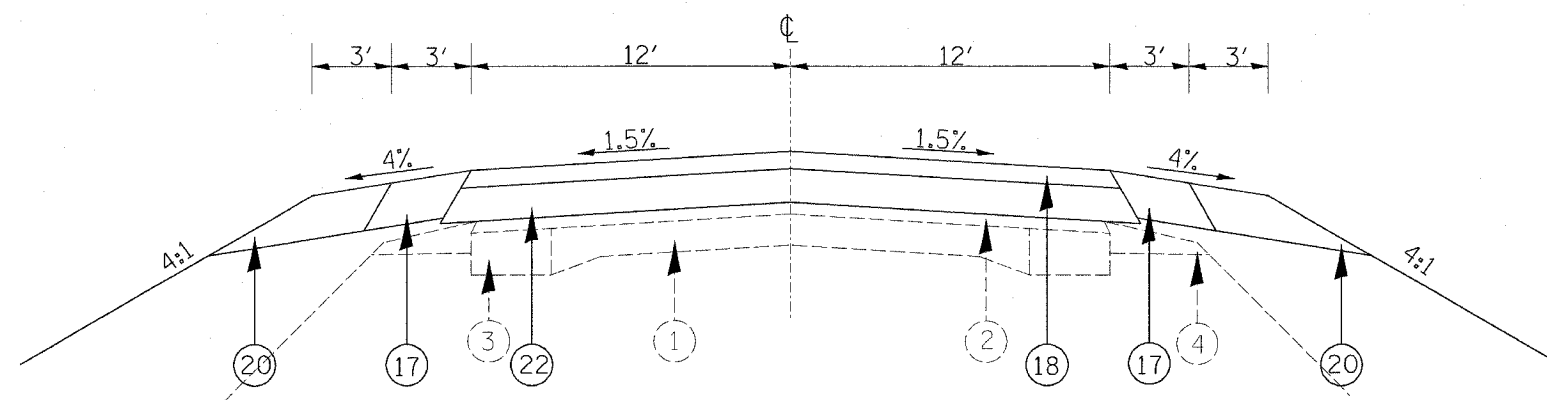
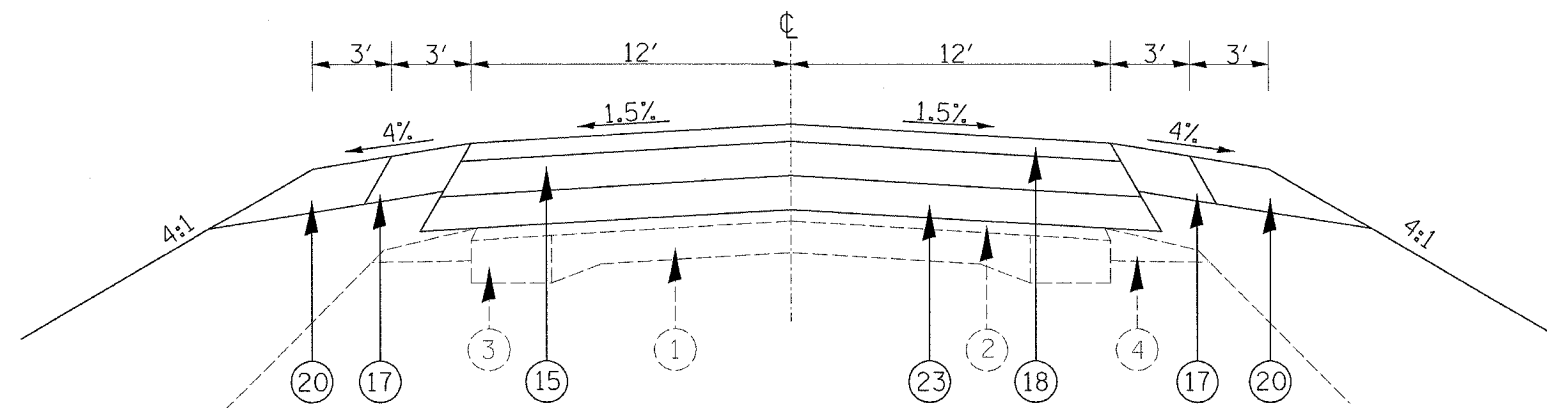


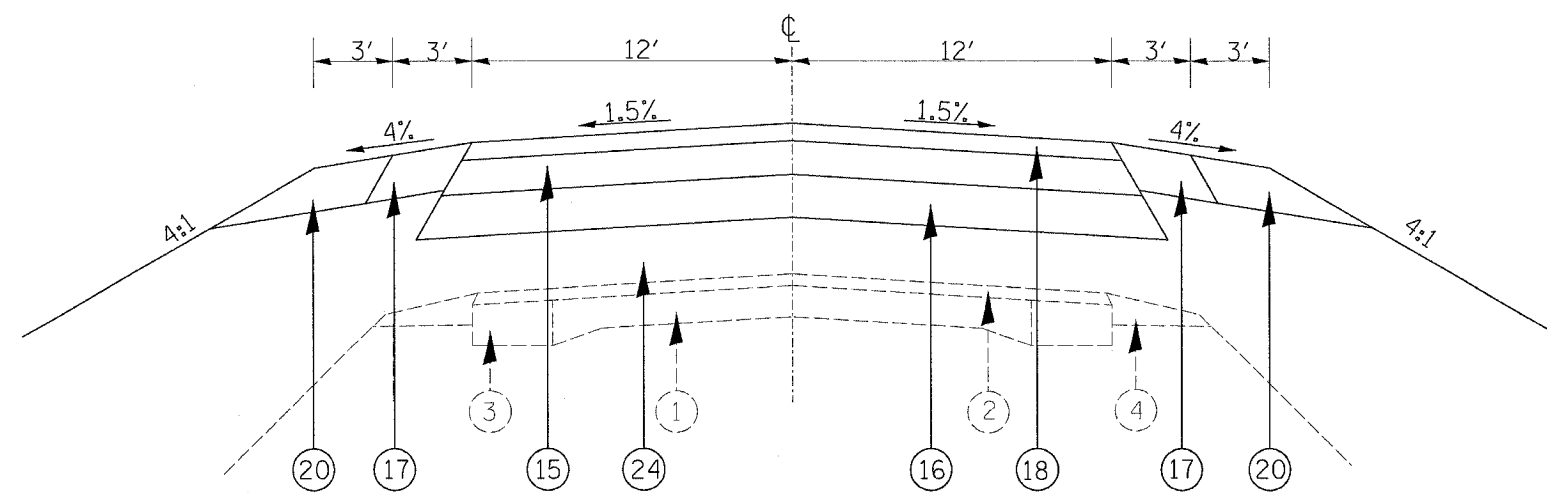
F.A.P. RTE.	SECTION	COUNTY	TOTAL SHEETS	SHEET NO.
618	33(EXT) BR	MCDONOUGH	63	7
STA.		TO STA.		
FED. ROAD DIST. NO. 4		ILLINOIS FED. AID PROJECT		
CONT. #68266				



PROPOSED
 STA. 1010+31.7 TO STA. 1010+80.8
 STA. 1016+95.4 TO STA. 1017+52.6



PROPOSED
 STA. 1010+80.8 TO STA. 1011+45.5
 STA. 1016+20.8 TO STA. 1016+95.4



PROPOSED
 STA. 1011+45.5 TO STA. 1016+20.8

LEGEND

- ① EXISTING CONCRETE PAVEMENT
- ② EXISTING OVERLAY (VAR.)
- ③ EXISTING BASE CSE. WIDENING, 2'
- ④ EXISTING AGGREGATE SHOULDER 6''-8''
- ⑤ PROPOSED BIT. BINDER CSE, 9³/₄''
- ⑥ PROPOSED SUBBASE GRANULAR MATERIAL TYPE B 12''
- ⑦ PROPOSED BIT. SHOULDER, 8''
- ⑧ PROPOSED BIT. CONC. SURF. CSE., SUPER D N50, 2''
- ⑨ PROPOSED LEVELING BINDER, MM, SUPER, N 50 0 TO 2''
- ⑩ PROPOSED AGGREGATE SHOULDER, TY. B, 8''
- ⑪ PROPOSED BIT. CONC. SURF. CSE., SUPER D N50, 1.5''
- ⑫ PROPOSED BIT. BINDER COURSE VARIABLE DEPTH 2'' TO 9³/₄''
- ⑬ PROPOSED SUBBASE GRANULAR MATERIAL TYPE B VARIABLE DEPTH 0 TO 12''
- ⑭ PROPOSED EMBANKMENT
- ⑮ BIT SURFACE REMOVAL 1.5''

REVISIONS	
NAME	DATE

ILLINOIS DEPARTMENT OF TRANSPORTATION
 PROPOSED
 TYPICAL
 SECTIONS
 SCALE: VERT. NOT TO SCALE
 HORIZ. DATE DRAWN BY CHECKED BY