

F.A.I. RTE.	SECTION	COUNTY	TOTAL SHEETS	SHEET NO.
57			76	8

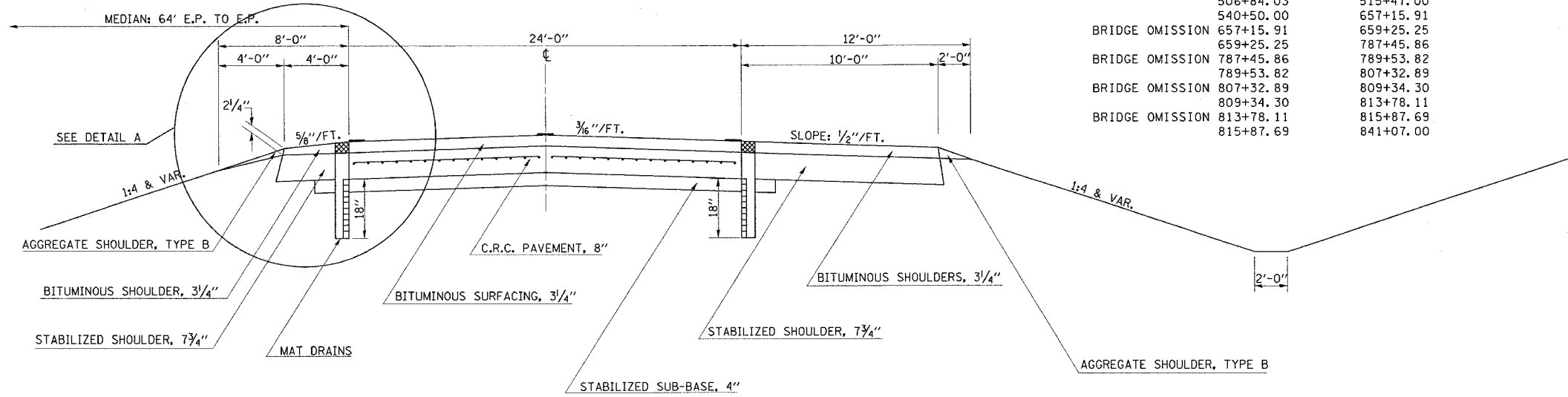
CONTRACT NO. 70028
 (15,18-2DIRS-2 & (15-22)RS-2
 COLES & CUMBERLAND

EXISTING TYPICAL CROSS SECTION

NON-INLAY AREAS
 STA. 482+00 TO STA. 841+07.00

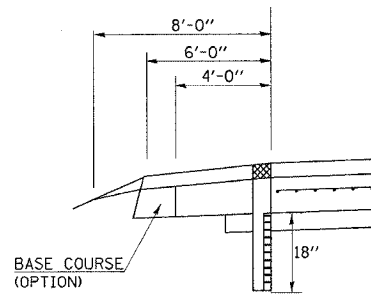
SOUTH BOUND		
STATION	TO	STATION
482+00.00		505+08.57
BRIDGE OMISSION	505+08.57	507+53.39
	507+53.39	512+70.00
	690+00.00	741+47.00
	802+70.00	807+22.71
BRIDGE OMISSION	807+22.71	809+24.12
	809+24.12	813+78.11
BRIDGE OMISSION	813+78.11	815+87.69
	815+87.69	841+07.00

NORTH BOUND		
STATION	TO	STATION
482+00.00		504+39.21
BRIDGE OMISSION	504+39.21	506+84.03
	506+84.03	515+47.00
	540+50.00	657+15.91
BRIDGE OMISSION	657+15.91	659+25.25
	659+25.25	787+45.86
BRIDGE OMISSION	787+45.86	789+53.82
	789+53.82	807+32.89
BRIDGE OMISSION	807+32.89	809+34.30
	809+34.30	813+78.11
BRIDGE OMISSION	813+78.11	815+87.69
	815+87.69	841+07.00



DETAIL A

STA 485+87 TO 515+38
 STA 801+86 TO 820+17



EXISTING TYPICAL CROSS SECTION

INLAY AREAS
 STA. 482+00 TO STA. 841+07.00

SOUTH BOUND		
STATION	TO	STATION
512+70.00		656+95.31
BRIDGE OMISSION	656+95.31	659+04.65
	659+04.65	690+00.00
	741+47.00	787+48.00
BRIDGE OMISSION	787+48.00	789+85.66
	789+85.66	802+70.00

NORTH BOUND		
STATION	TO	STATION
515+47.00		540+50.00

