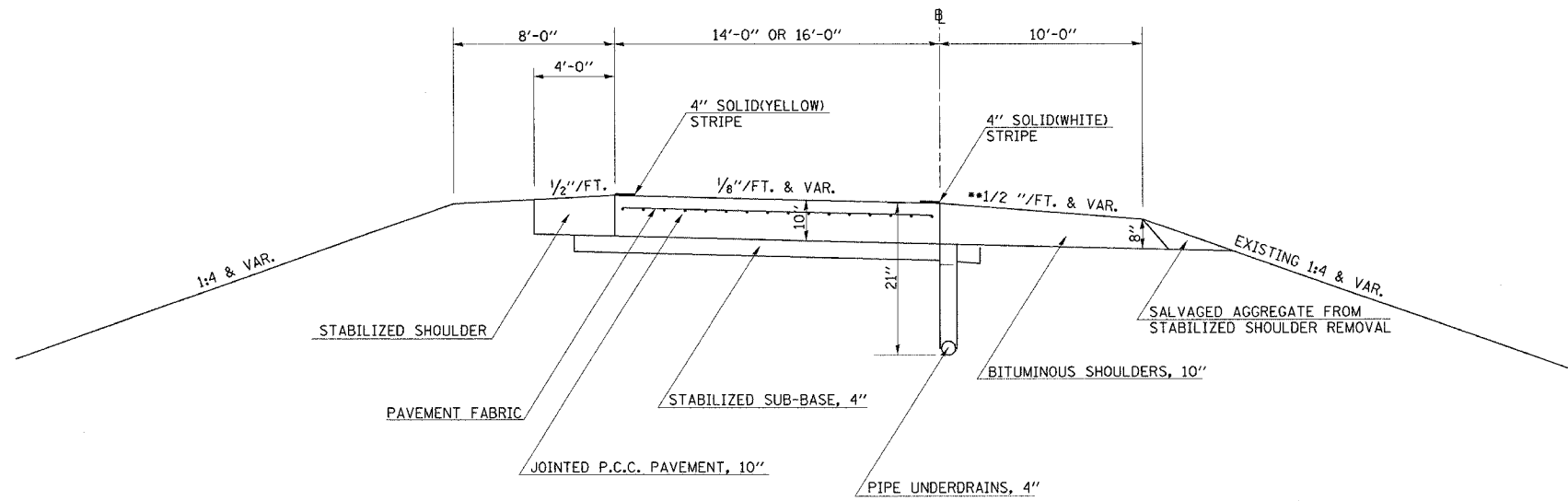


F.A.I. RTE.	SECTION	COUNTY	TOTAL SHEETS	SHEET NO.
57	.	**	76	9

CONTRACT NO. 70028
 (15,18-20RS-2 & 15-22RS-2
 ** COLES & CUMBERLAND

EXISTING TYPICAL CROSS SECTION

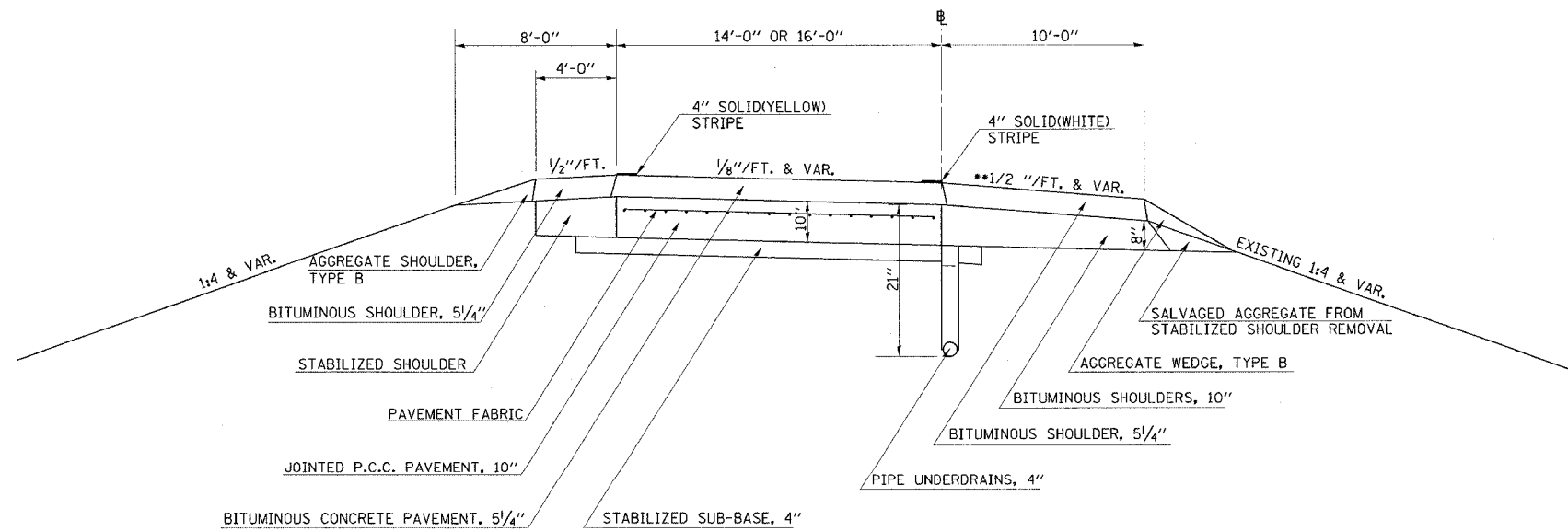
RAMP TYPICAL
 RTE. 45 AT MATTOON



** FOR SECTIONS ON LOW SIDE OF SUPERELEVATION:
 SLOPE SHOULDER SAME AS PAVEMENT, BUT NOT
 LESS THAN 1/2" / FT.

EXISTING TYPICAL CROSS SECTION

RAMP TYPICAL
 RTE. 45 AT NEOGA



** FOR SECTIONS ON LOW SIDE OF SUPERELEVATION:
 SLOPE SHOULDER SAME AS PAVEMENT, BUT NOT
 LESS THAN 1/2" / FT.