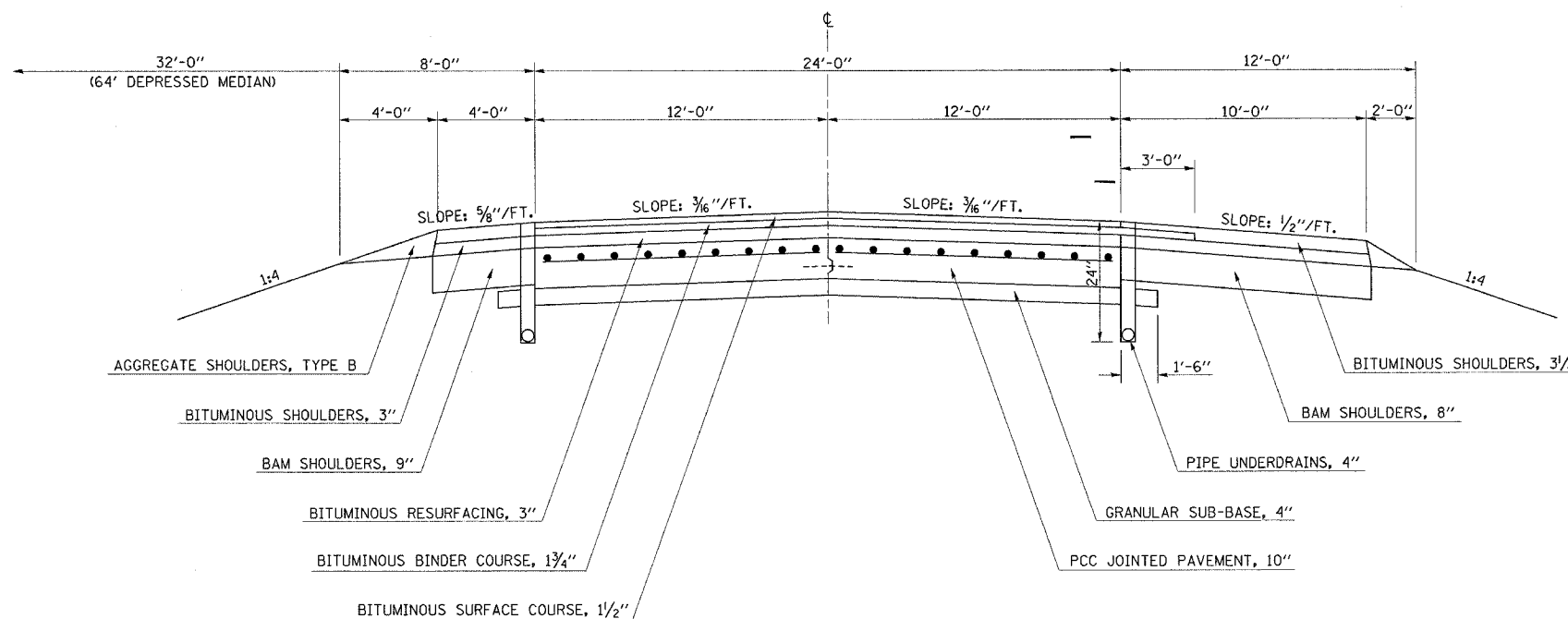


F.A.I. RTE.	SECTION	COUNTY	TOTAL SHEETS	SHEET NO.
57		**	76	10

CONTRACT NO. 70028
 • (15-18-20)RS-2 & (15-22)RS-2
 •• COLES & CUMBERLAND

EXISTING TYPICAL CROSS SECTION

STA. 119+16.79 TO STA. 250+48.75
 (BRIDGE OMISSION) STA. 250+48.75 TO STA. 251+69.25
 STA. 251+69.25 TO STA. 286+88.78



EXISTING TYPICAL CROSS SECTION

STA. 286+88.78 TO STA. 340+00.00

