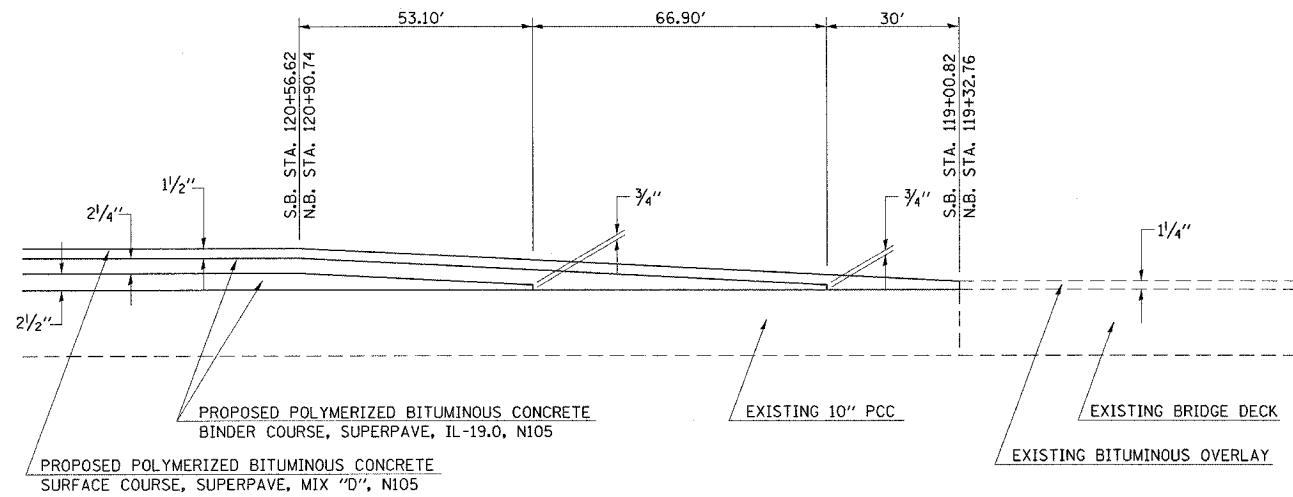


DETAIL OF BUTT JOINT AT STRUCTURES 018-0003 & 018-0004 BRIDGE AT U.S. RTE. 45 - NEOGA

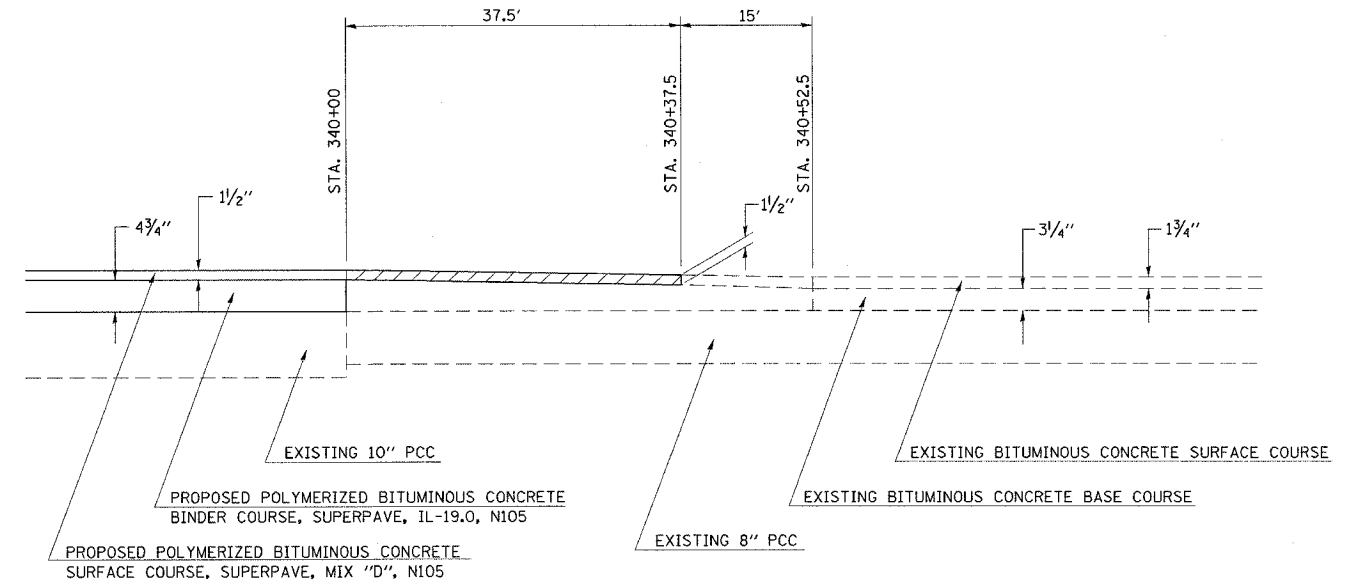


NOTE: LENGTH BASED ON 1:360 TAPER RATE

DETAIL OF BUTT JOINT AT 340+00

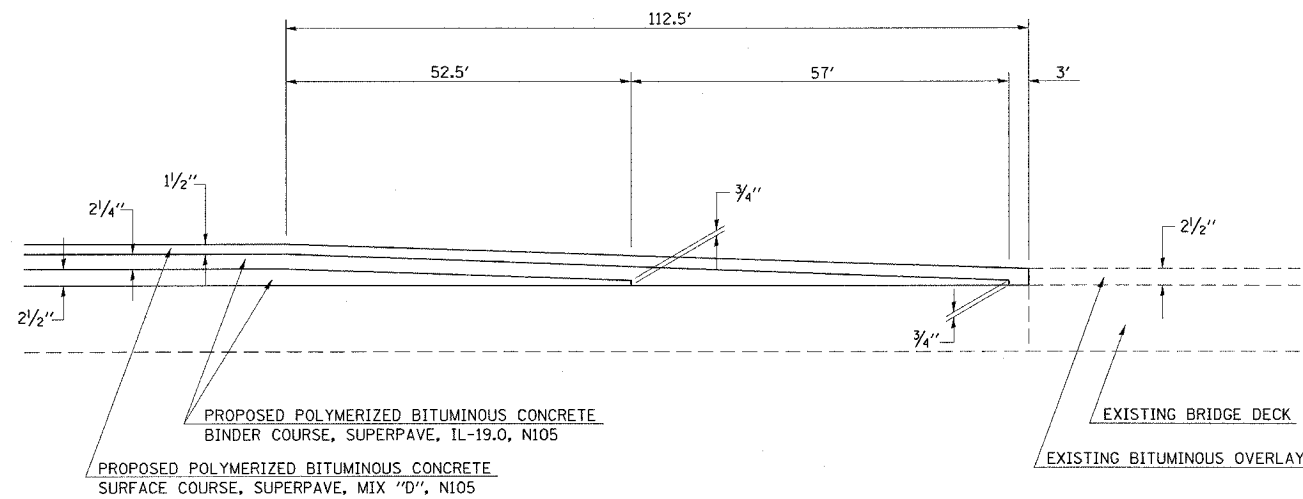
F.A.I. RTE.	SECTION	COUNTY	TOTAL SHEETS	SHEET NO.
57		**	76	49

CONTRACT NO. 70028
• (15,18-20)RS-2 & (15-22)RS-2
• COLES & CUMBERLAND

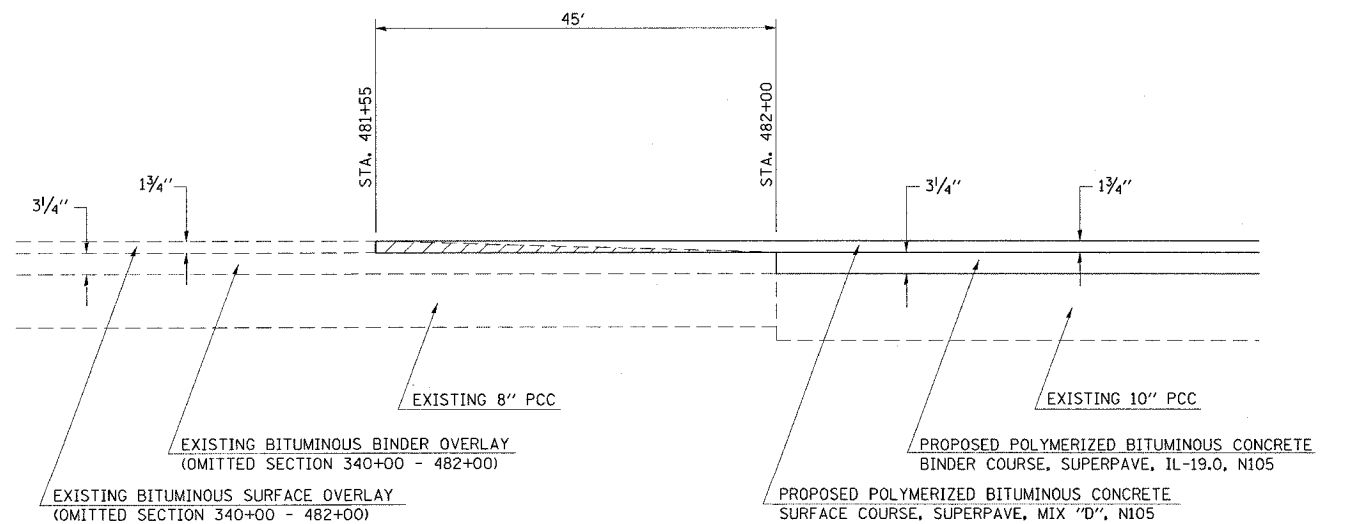


BITUMINOUS SURFACE REMOVAL - BUTT JOINT

DETAIL OF BUTT JOINT AT STRUCTURES 018-0005 & 018-0006 MAINLINE BRIDGE AT STA. 250+00 ±



DETAIL OF BUTT JOINT AT 482+00



BITUMINOUS SURFACE REMOVAL - BUTT JOINT