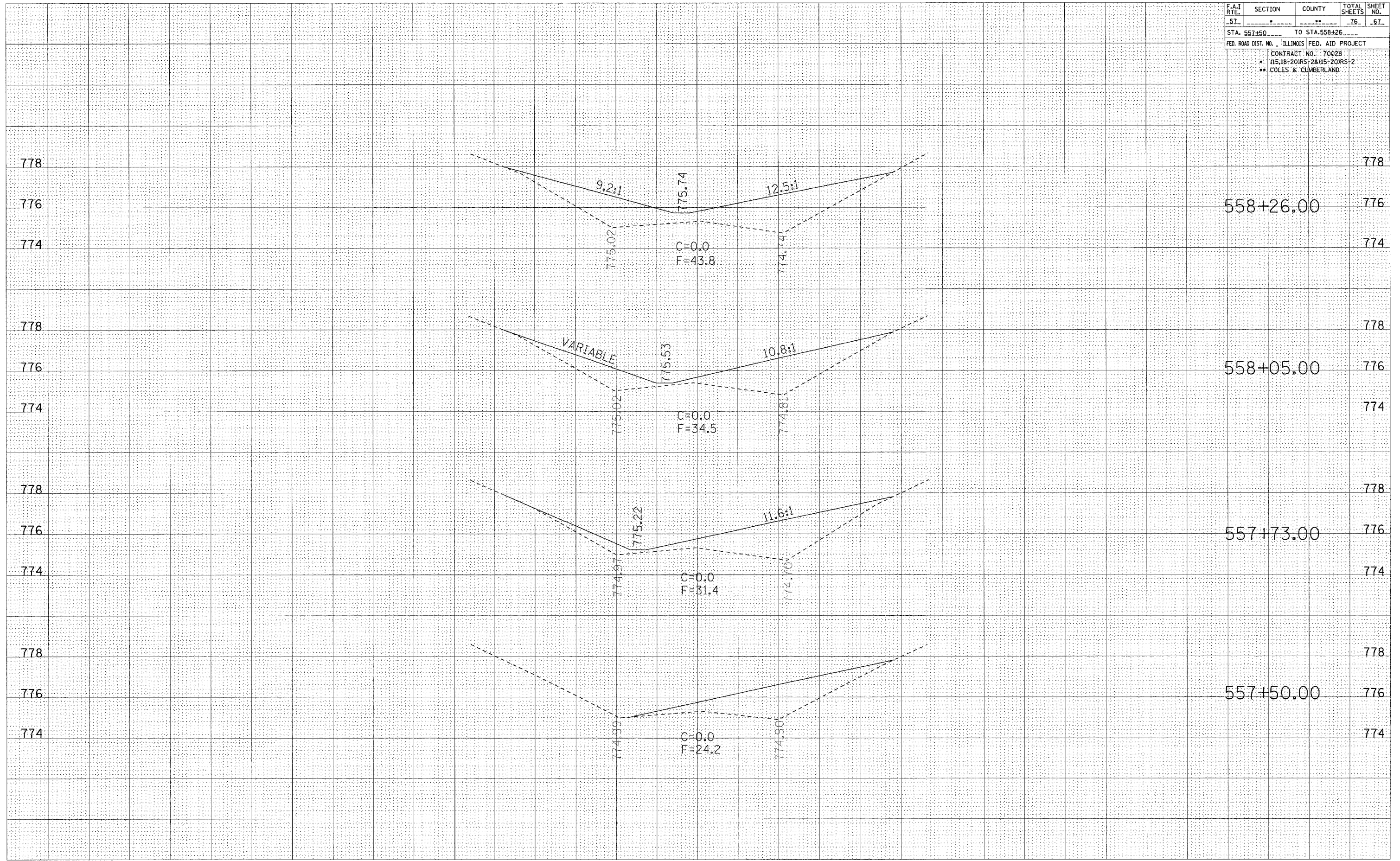


70 60 50 40 30 20 10 0 10 20 30 40 50 60 70

F.A.I. RTE.	SECTION	COUNTY	TOTAL SHEETS	SHEET NO.
57			76	67
STA. 557+50 TO STA. 558+26				
FED. ROAD DIST. NO. ILLINOIS FED. AID PROJECT				
CONTRACT NO. 70028				
* (15,18-20)RS-2&(15-20)RS-2				
** COLES & CUMBERLAND				

DATE	
BY	
REVISIONS	
NO.	
ORIGINAL SURVEY	
NOTE BOOK	
AREAS CHECKED	

DATE	
BY	
REVISIONS	
NO.	
ORIGINAL SURVEY	
NOTE BOOK	
AREAS CHECKED	



70 60 50 40 30 20 10 0 10 20 30 40 50 60 70