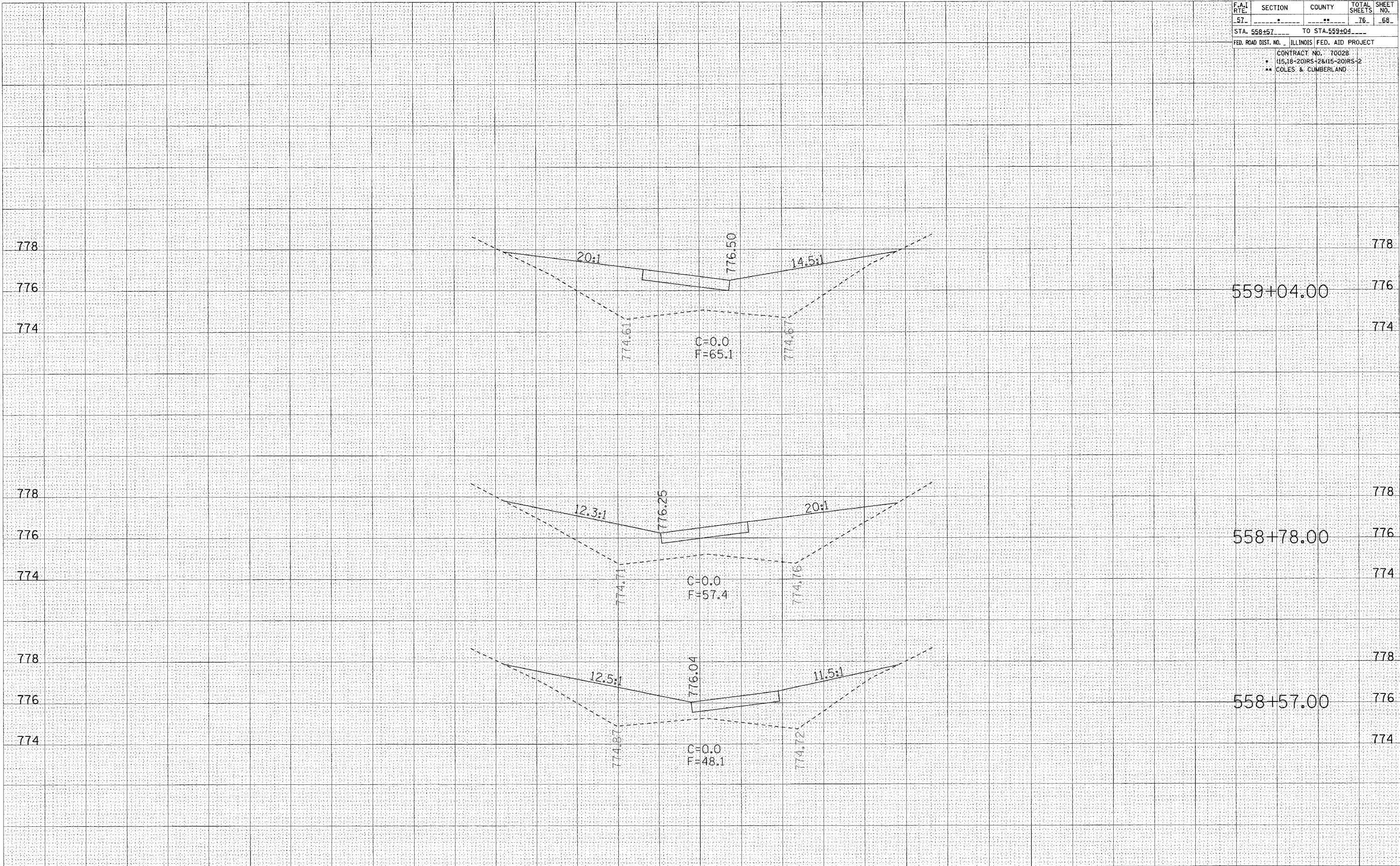


70 60 50 40 30 20 10 0 10 20 30 40 50 60 70

F.A.I. RTE.	SECTION	COUNTY	TOTAL SHEETS	SHEET NO.
ST. 558+57		**	76	68
STA. 558+57 TO STA. 559+04				
FED. ROAD DIST. NO. ILLINOIS FED. AID PROJECT				
CONTRACT NO. 70028				
• 115,18-201RS-2&(15-20)RS-2				
** COLES & CLUMBERLAND				

DATE _____
 BY _____
 SURVEYED _____
 PLOTTED _____
 NOTE BOOK _____
 REVISIONS _____
 AREAS CHECKED _____

DATE _____
 BY _____
 SURVEYED _____
 PLOTTED _____
 NOTE BOOK _____
 REVISIONS _____
 AREAS CHECKED _____



70 60 50 40 30 20 10 0 10 20 30 40 50 60 70