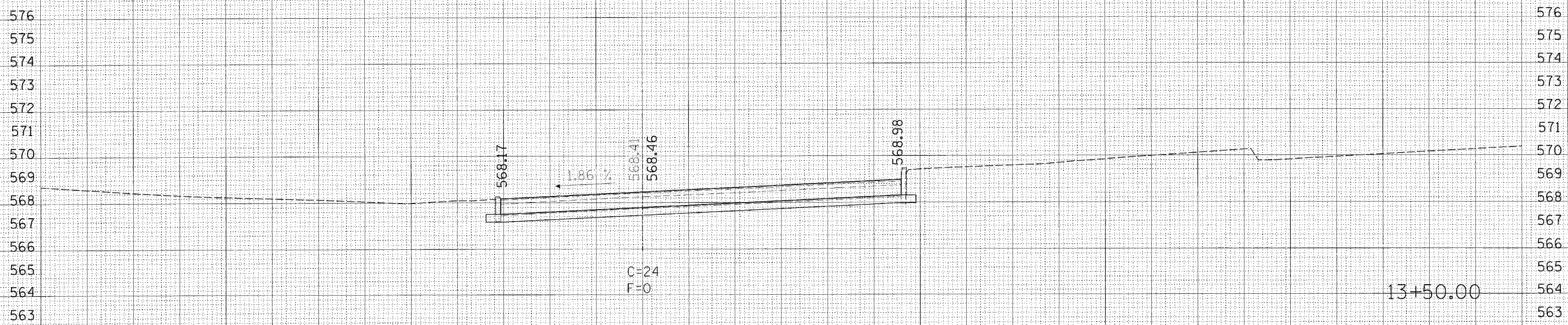
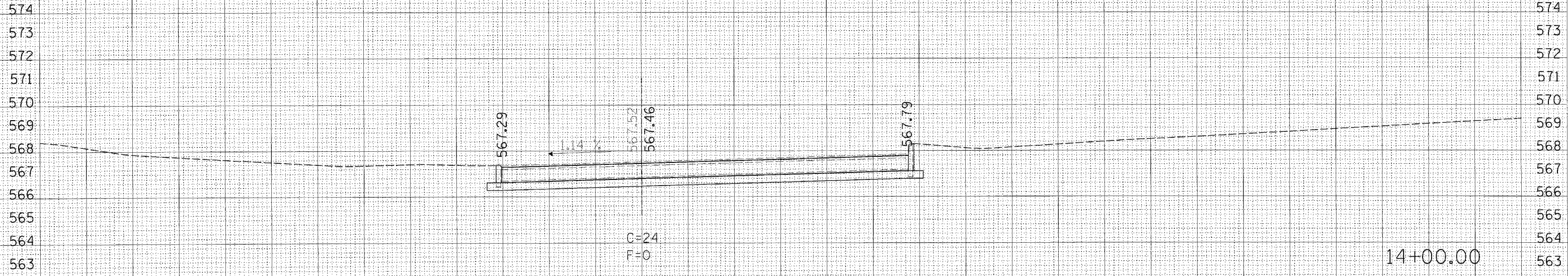


F.A. RTE.	SECTION	COUNTY	TOTAL SHEETS	SHEET NO.
..	..	SANGAMON	49	10
STA. _____ TO STA. _____		FED. ROAD DIST. NO. ILLINOIS FED. AID PROJECT		
* PARK ROADS				
** OAK RIDGE CEMETERY INTERNAL ROADS 2003				
CONTRACT NO. 72774				

60 55 50 45 40 35 30 25 20 15 10 5 0 5 10 15 20 25 30 35 40 45 50 55 60 65 70 75

80 85 90



60 55 50 45 40 35 30 25 20 15 10 5 0 5 10 15 20 25 30 35 40 45 50 55 60 65 70 75 80 85 90

SURVEYED
 SURVEY
 PLOTTED
 NOTE BOOK
 AREAS CHECKED
 NO.

SURVEYED
 SURVEY
 PLOTTED
 NOTE BOOK
 AREAS CHECKED
 NO.