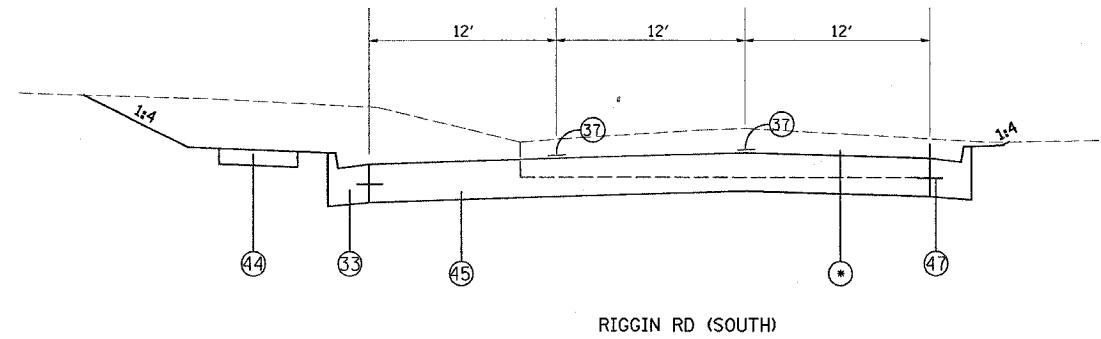
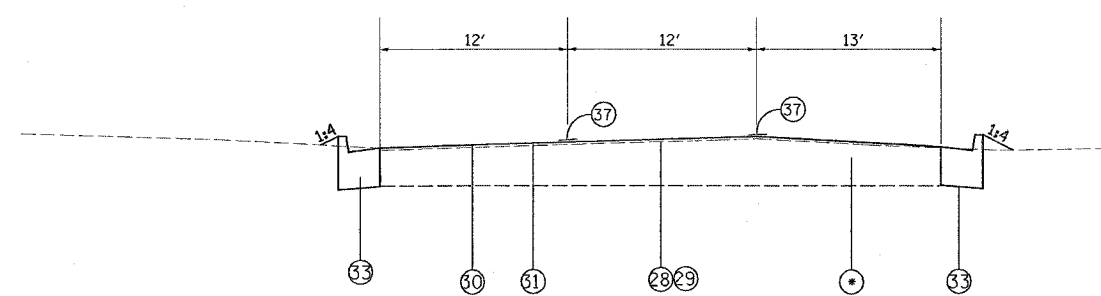


FAP ROUTE	SECTION	COUNTY	TOTAL SHEETS	SHEET NO
586	60R-2,37R-1	MADISON	502	20
STA. 577+62.76		TO STA. 584+00		
CONTRACT NO: 76301				



RIGGIN RD (SOUTH)

* EXISTING RIGGIN RD (SOUTH) CONSISTS OF PCC PAVEMENT - UNKNOWN DEPTH (TO BE REMOVED)



RIGGIN RD (NORTH)

* EXISTING RIGGIN RD (NORTH) BITUMINOUS SURFACE - UNKNOWN DEPTH AND MATERIAL

RIGGIN RD

STRUCTURAL DESIGN TRAFFIC:	Year: 2015
PV = 1547	SU= 59 MU= 24
ROAD/STREET CLASSIFICATION:	Class III
PERCENT OF STRUCTURAL DESIGN TRAFFIC IN DESIGN LANE:	
P = 50	S = 50 M = 50
TRAFFIC FACTOR:	Actual TF = 0.22 AC Type = 20
	Minimum TF = N/A
PG GRADE: Binder = N/A	Surface = N/A
SUBGRADE SUPPORT RATING:	
IBR = 3	

- LEGEND
- 1 EXIST PCC PAVEMENT (9"-7"-9")
 - 2 EXIST BINDER COURSE, 2 1/4"
 - 3 EXIST BITUMINOUS RESURFACING (VARIES)
 - 4 EXIST BITUMINOUS WIDENING, 9"
 - 5 EXIST JOINTED REINFORCED PCC PAVEMENT, 12 1/4"
 - 6 EXIST SUB-BASE
 - 7 EXIST CONCRETE MEDIAN TYPE SB-6.12 (TBR)
 - 8 EXIST PIPE UNDERDRAINS, 4" (TBR)
 - 9 EXIST BITUMINOUS SHOULDER 12 1/4" (TBR)
 - 10 EXIST BITUMINOUS SHOULDER, 6" (TBR)
 - 11 EXIST AGG SHOULDER, TYPE B WEDGE (TBR)
 - 12 EXIST BITUMINOUS BASE COURSE, 12 1/2"
 - 13 EXIST BITUMINOUS BASE COURSE, 10 1/2"
 - 14 EXIST AGGREGATE SHOULDER, 6" (TBR)
 - 15 EXIST BITUMINOUS CONCRETE BINDER COURSE, 1 3/4"
 - 16 EXIST BAM BASE COURSE, 6"
 - 17 EXIST CURB AND/OR CURB AND GUTTER
 - 18 EXIST SIDEWALK
 - 19 EXIST CONCRETE BASE COURSE
 - 20 EXIST CONCRETE CURB
 - 21 EXIST CONCRETE GUTTER, TYPE A
 - 22 EXIST 2 1/2" BRICK SURFACE
 - 23 EXIST MASTIC CUSHION
 - 24 EXIST PAVEMENT MARKING
 - 25 PROP BITUMINOUS SURFACE REMOVAL (VAR DEPTH)
 - 25A PROP BITUMINOUS SURFACE REMOVAL (1")
 - 25B PROP BITUMINOUS SURFACE REMOVAL (1 1/2")
 - 26 PROP PCC BASE COURSE, 12 1/4"
 - 27 PROP BITUMINOUS BINDER COURSE SUPERPAVE, IL 19.0, N90, 1 1/2"
 - 28 PROP BITUMINOUS MATERIALS (PRIME COAT)
 - 29 PROP AGGREGATE (PRIME COAT)
 - 30 PROP LEVELING BINDER (MM), SUPERPAVE N90, 1"
 - 31 PROP POLYMERIZED BIT SURFACE COURSE, SUPERPAVE, MIX E, N90, 1 1/2"
 - 32 PROP CONCRETE MEDIAN SURFACE, 4"
 - 33 PROP COMB CONCRETE CURB AND GUTTER, TYPE B-6.24
 - 34 PROP COMB CONCRETE CURB AND GUTTER, TYPE B-6.12
 - 35 PROP COMB CONCRETE CURB AND GUTTER, TYPE M-6.06
 - 36 PROP COMB CONCRETE CURB AND GUTTER, TYPE M-6.24
 - 37 PROP THERMOPLASTIC PAVEMENT MARKING
 - 38 PROP STORM SEWER
 - 39 PROP LEVELING BINDER (MM), SUPERPAVE N70, 3/4"
 - 40 PROP POLYMERIZED BIT SURFACE COURSE, SUPERPAVE, MIX E, N70, 1 1/2"
 - 41 PROP BITUMINOUS SHOULDER, 8"
 - 42 PROP AGGREGATE SHOULDER TYPE A
 - 43 PROP GUTTER, TYPE A
 - 44 PROP PCC SIDEWALK, 4"
 - 45 PROP PCC PAVEMENT, 8"
 - 46 PROP STRIP REFLECTIVE CRACK CONTROL
 - 47 PROP TIE BAR

PLAN	SURVEYED	DATE
NOTE BOOK	BY	
NO.		

7/2/2004
Friday, July 02, 2004 7:30:45 AM
c:\p\j\work\586\586\586\586.dgn L1r1-63

REVISIONS	
NAME	DATE

ILLINOIS DEPARTMENT OF TRANSPORTATION

TYPICAL SECTIONS

FAP ROUTE 586 (IL 162)
SECTION 60R-2,37R-1
MADISON COUNTY

DRAWN BY: