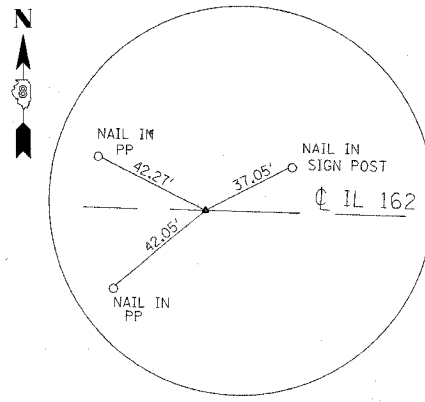
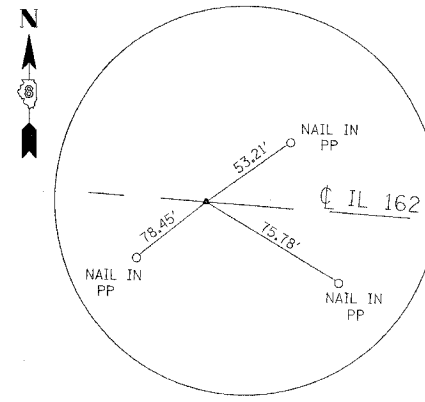


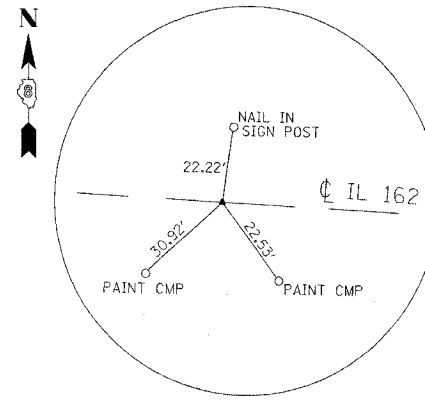
FAP ROUTE	SECTION	COUNTY	TOTAL SHEETS	SHEET NO
586	60R-2, 3TR-1	MADISON	502	46
CONTRACT #76301				



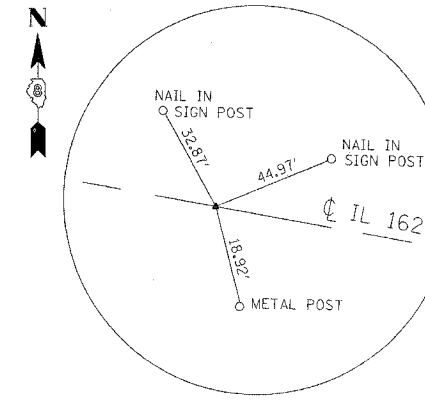
NAIL IN PAVEMENT  
PT STA. 698+38.29  
N 747,886.37 E 2,387,281.20



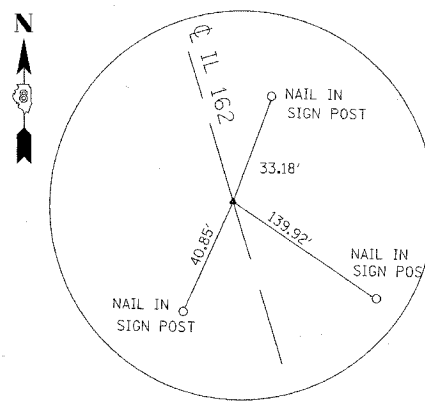
NAIL IN PAVEMENT  
PC STA. 705+01.65  
N 747,793.10 E 2,387,937.97



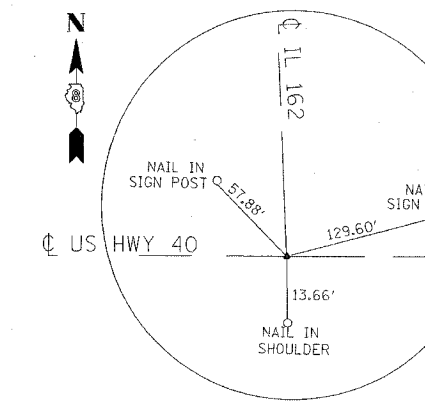
NAIL IN PAVEMENT  
PT STA. 709+85.57  
N 747,607.47 E 2,388,379.30



NAIL IN PAVEMENT  
PC STA. 717+60.23  
N 747,137.52 E 2,388,995.13



NAIL IN PAVEMENT  
PT STA. 718+69.98  
N 747,043.64 E 2,389,045.26



NAIL IN PAVEMENT  
POT STA. 719+45.59 (IL 162)  
POT STA. 100+00.00 (US HWY 40)  
N 746,968.18 E 2,389,049.95

BENCHMARKS

- BM 2020-8 CUT " □ " ON SIDEWALK @ SE CORNER OF AMERICAN LEGION POST 708 BUILDING - NW CORNER OF IL 162 & MAIN ST. ELEV. 563.60'
- BM 2020-9 CUT " × " ON SOUTH FLANGE BOLT ON FIRE HYDRANT @ NW CORNER OF MARKER ST. AND DEWEY ST. ELEV. 548.33'
- BM 2020-10 CUT " □ " ON SE CORNER OF CONC. SLAB FOR ABANDONED U.S. POSTAL MAILBOX @ NE CORNER OF IL 162 & MARY DR. ELEV. 542.40'
- BM 2020-11 CUT " □ " ON CONC. RIM OF MANHOLE IN FROM HOUSE #502, NORTH SIDE OF IL 162, ACROSS FROM WEST ENT. TO FRIEDENS CEMETERY ELEV. 539.42'
- BM 2020-12 CUT " × " ON NORTH FLANGE BOLT OF FIRE HYDRANT @ SW CORNER OF IL 162 & BRENTMOOR DRIVE ELEV. 538.39'
- BM 2020-13 CUT " □ " ON HEADWALL @ SOUTH SIDE OF IL 162 APPROXIMATELY 150 EAST OF BIT. DIRVEWAY (HOUSE #8752) ELEV. 524.25
- BM 2020-14 CUT " □ " @ NORTH END OF DROP INLET, NW CORNER OF IL 162 & HWY 40 ELEV. 464.23'
- BM 2020-14A CUT " □ " @ EAST END OF OLD HANDRAIL, NORTH SIDE OF HWY 40, APPROXIMATELY 150' WEST OF RUSTIC LANE, APPROXIMATELY 58" FROM EP ELEV. 460.09'
- BM 2020-15 CUT " □ " ON HANDRAIL OF HWY 40 BRIDGE OVER SILVER CREEK, EAST END - SOUTH SIDE BRDIGE #060-0077 ELEV. 463.19'

PLAN	SUBMITTED	DATE
NOTE BOOK	BY	
NO.	PLotted	
	Checked	
	By	
	Way	
	Checked	
	File	
	Name	

REVISIONS	
NAME	DATE

ILLINOIS DEPARTMENT OF TRANSPORTATION  
ALIGNMENT TIE POINTS  
AND BENCHMARKS  
FAP ROUTE 586 (IL 162)  
SECTION 60R-2, 3TR-1  
MADISON COUNTY  
DRAWN BY:

7/2/2004 10:11:25 AM  
C:\projects\586\586.dwg  
L:\163