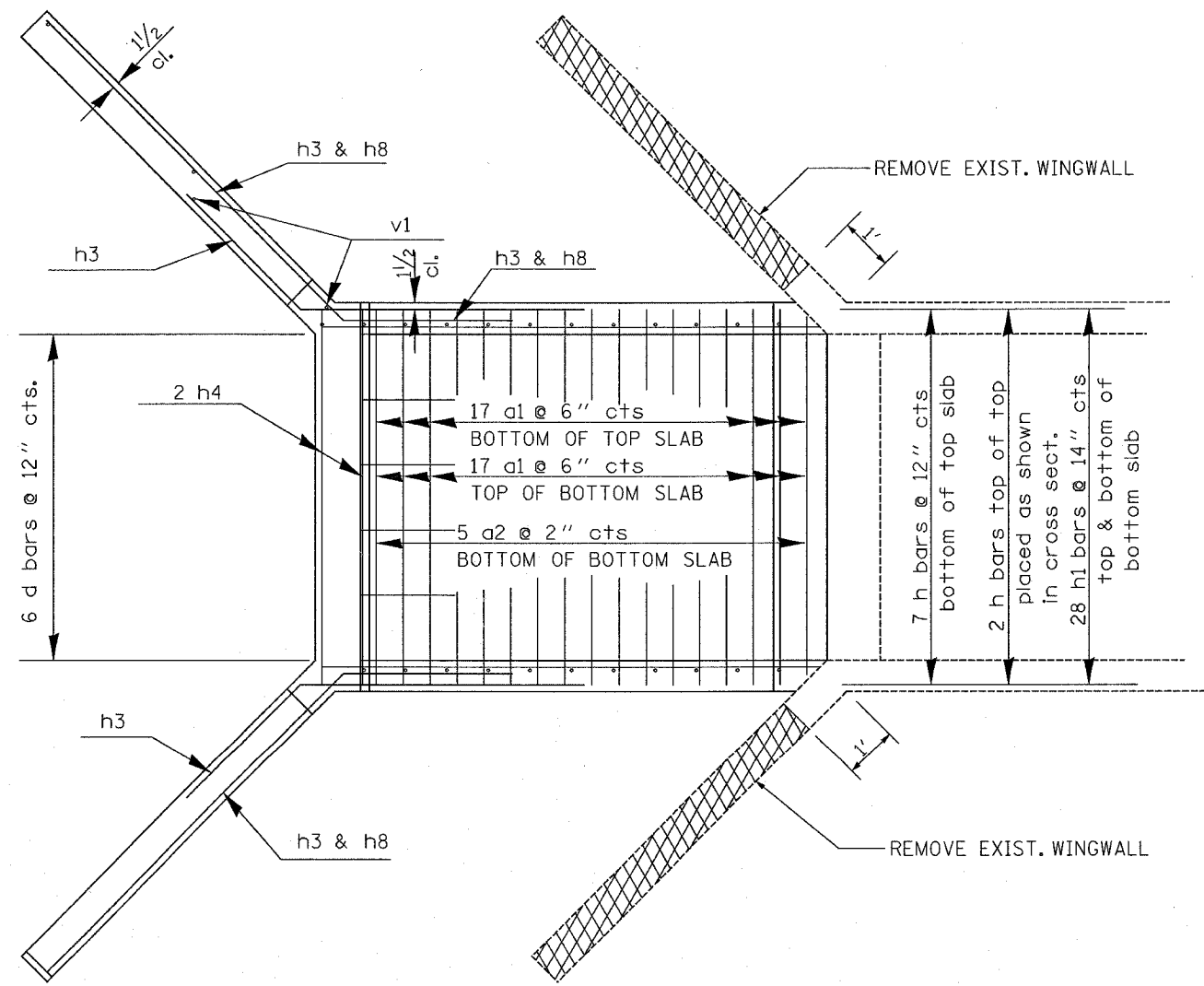
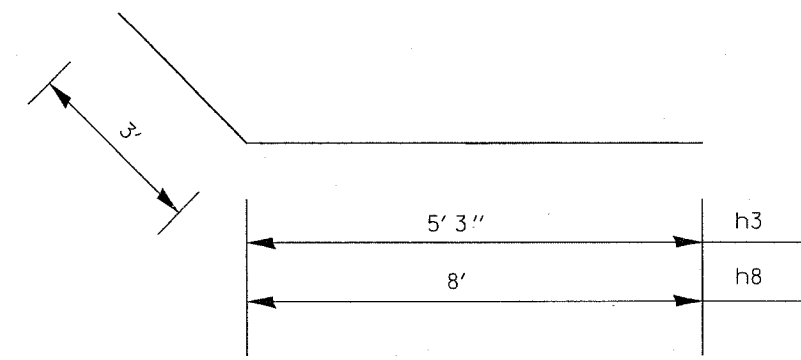
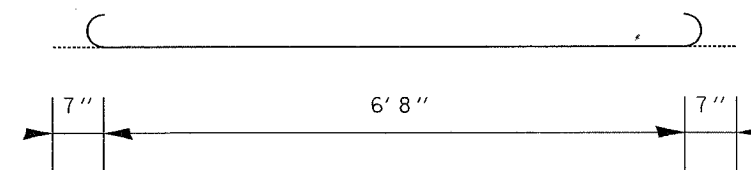
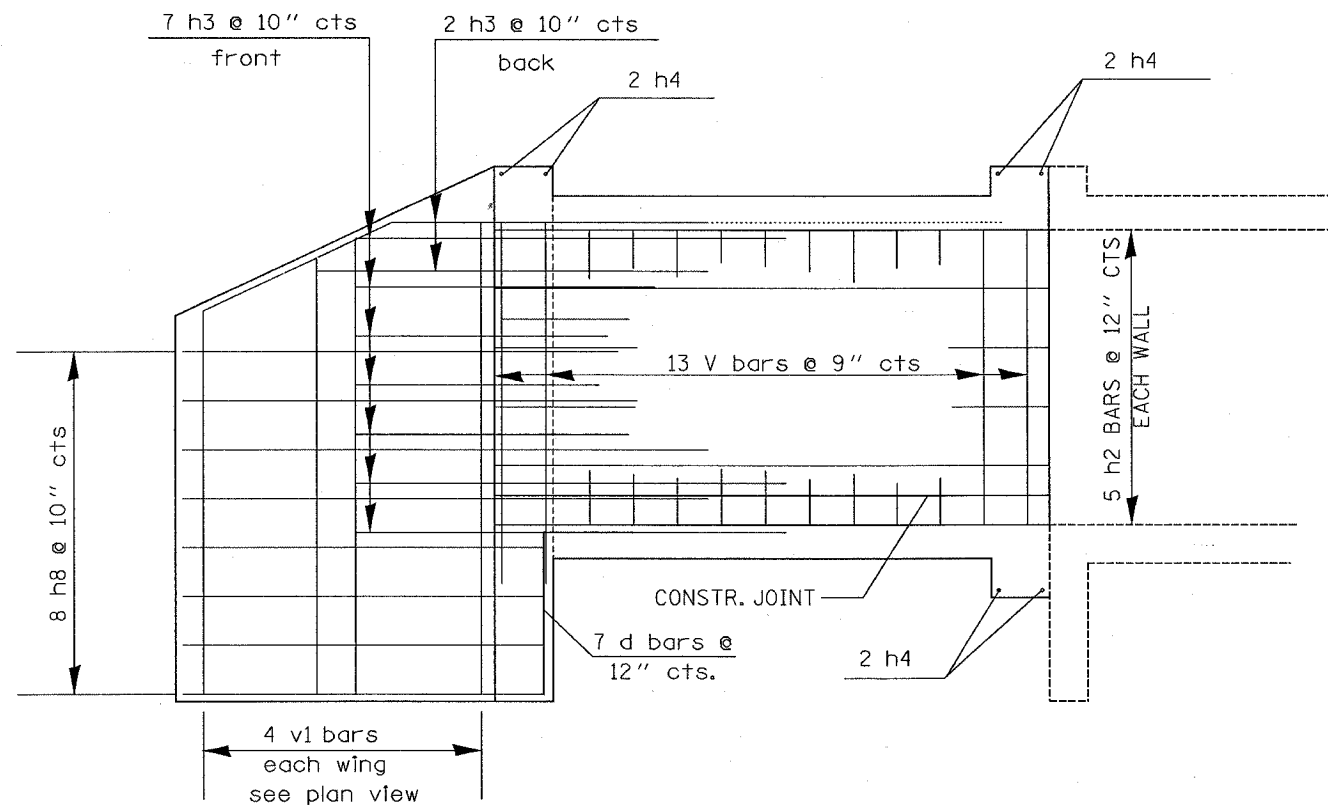
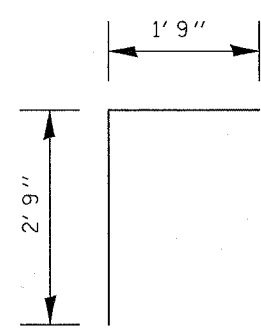


APP. NO.	SECTION	COUNTY	TOTAL SHEETS	SHEET NO.
586	60R-2, 37R-1	MADISON	502	235
CONTRACT NO.: 76301				

PLAN	REVISIONS	DATE
NOTE BOOK NO.	ALIGNED	
	CHECKED	
	DATE	
	FILE NAME	



h3 & h8 bars



d bars

REVISIONS	
NAME	DATE

ILLINOIS DEPARTMENT OF TRANSPORTATION

BOX CULVERT  
 STA 635+60.46  
 FAP ROUTE 586 (IL 162)  
 SECTION 60R-2, 37R-1  
 MADISON COUNTY

DRAWN BY: