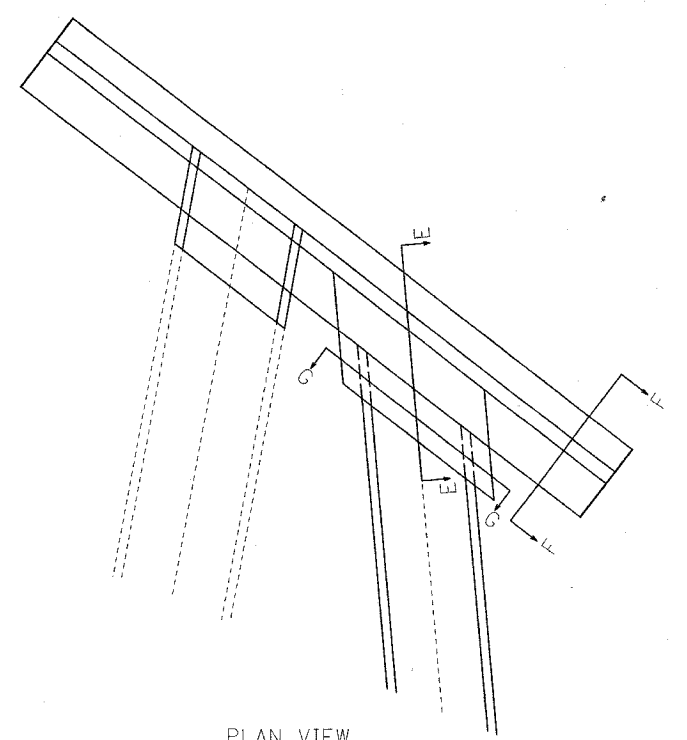
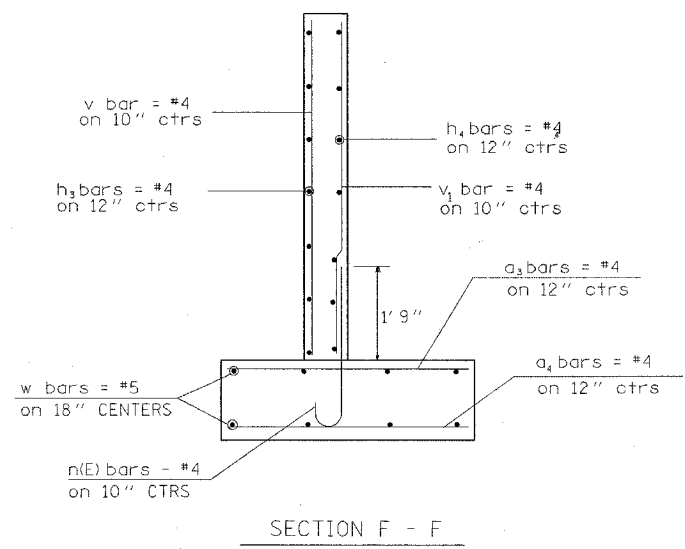


FAP ROUTE	SECTION	COUNTY	TOTAL SHEETS	SHEET NO
586	60R-2, 37R-1	MADISON	502	241
CONTRACT #76301				

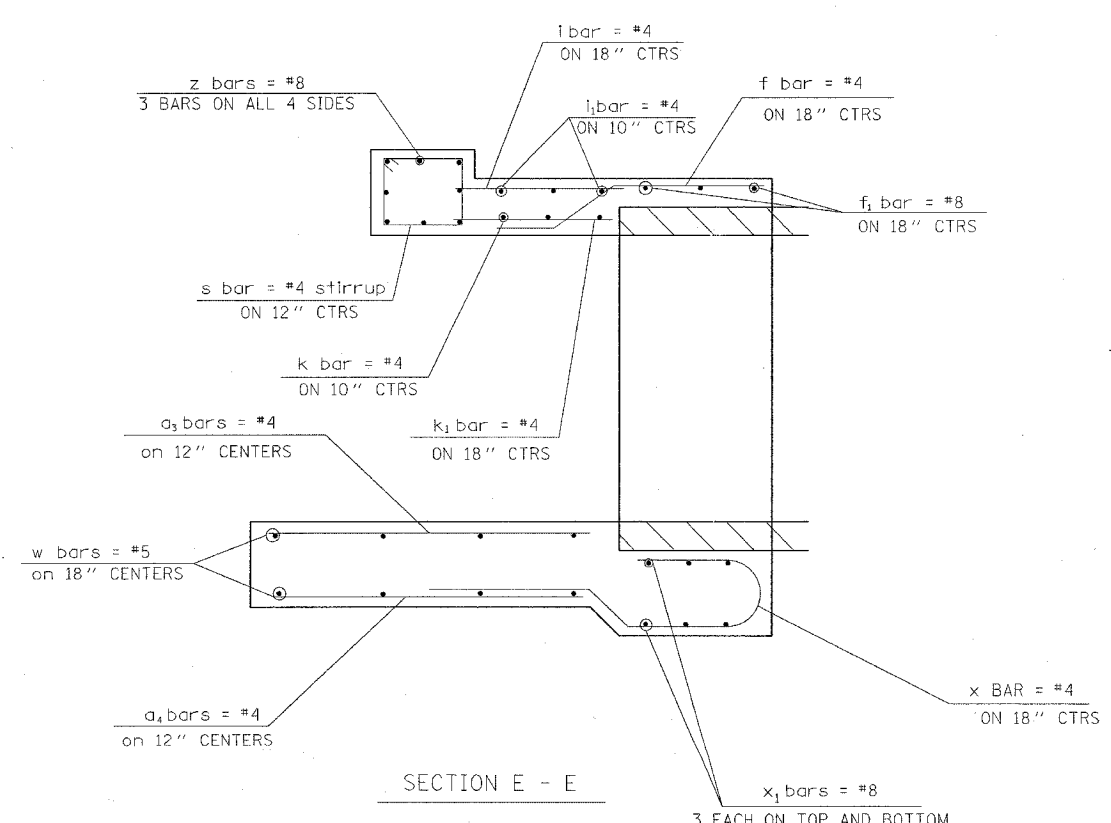
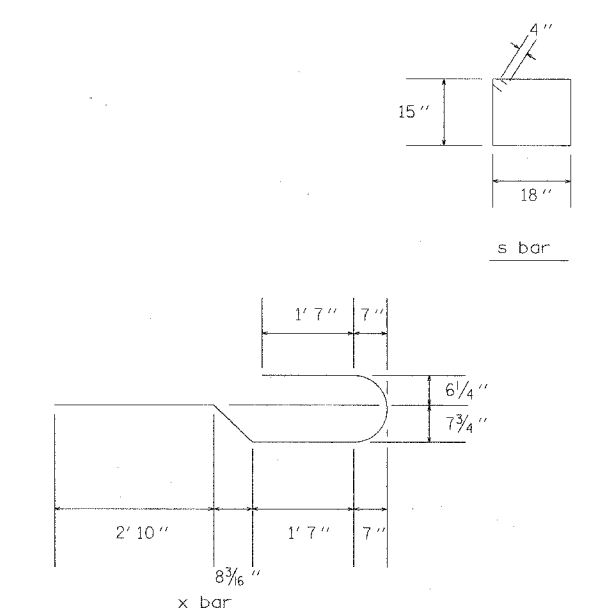
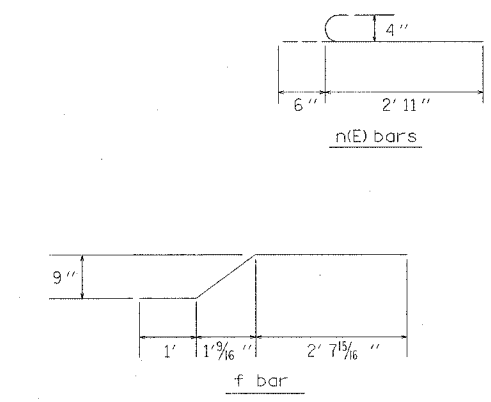
PLAN	REVISIONS	DATE
NO.	BY	
	DATE	
	BY	
	DATE	
	BY	
	DATE	
	BY	
	DATE	



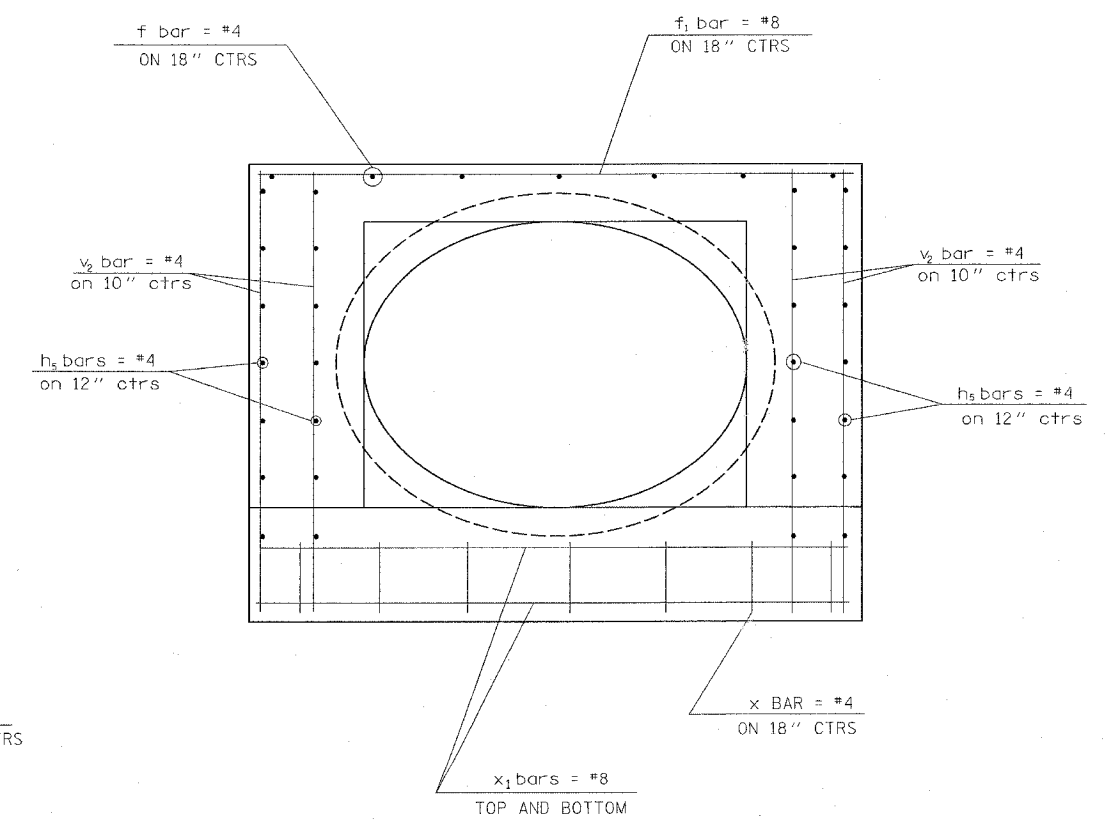
PLAN VIEW



SECTION F - F



SECTION E - E



SECTION G - G

REVISIONS	
NAME	DATE

ILLINOIS DEPARTMENT OF TRANSPORTATION
 BOX CULVERT
 STA. 100+48.24 (HWY 40)
 UPSTREAM END TREATMENT
 FAP ROUTE 586 (IL 162)
 SECTION 60R-2, 37R-1
 MADISON COUNTY
 DRAWN BY:
 PLOT DATE: Friday July 02, 2004 @ 10:13:33 AM