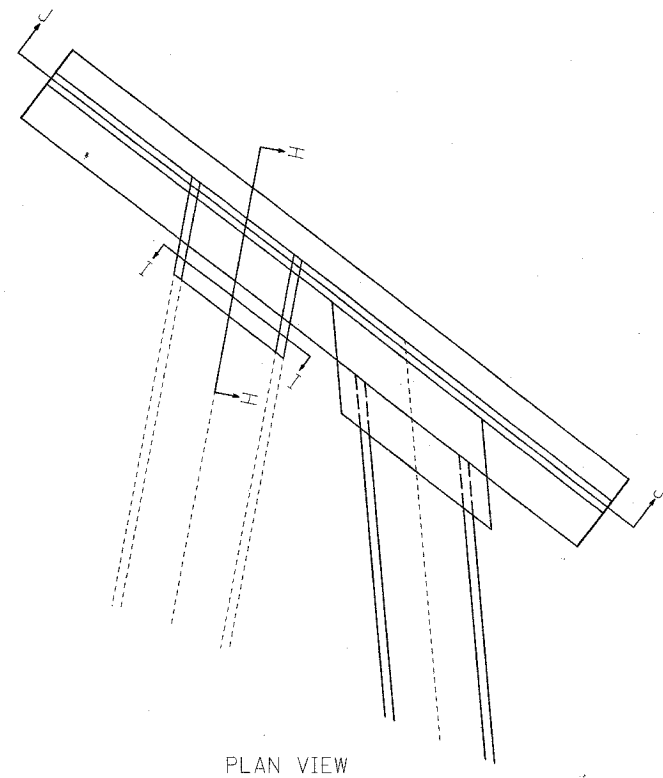


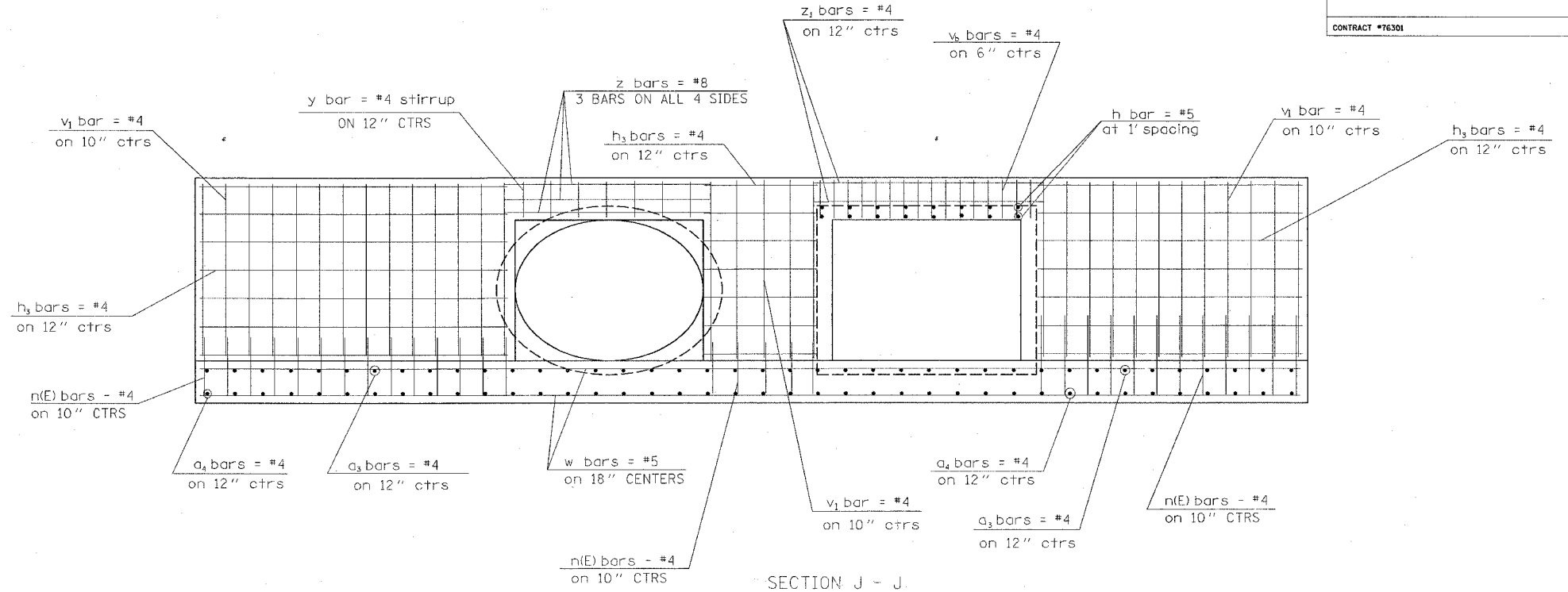
FAP ROUTE	SECTION	COUNTY	TOTAL SHEETS	SHEET NO.
586	60R-2, 37R-1	MADISON	502	242

CONTRACT #76301

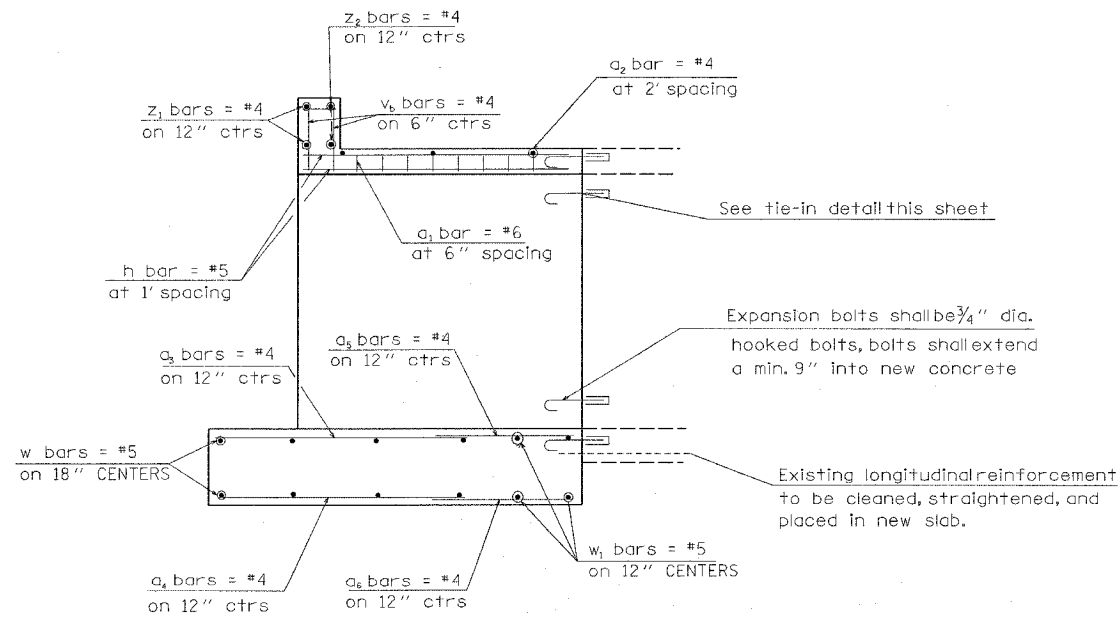
PLAN	SUBMITTED	BY	DATE
	APPROVED		
	NOTED		
	CHECKED		
	DATE		



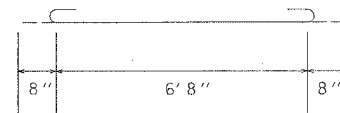
PLAN VIEW



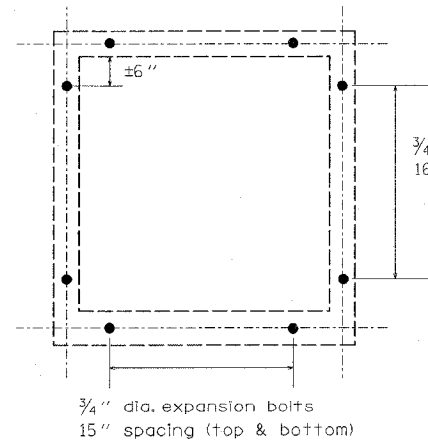
SECTION J - J



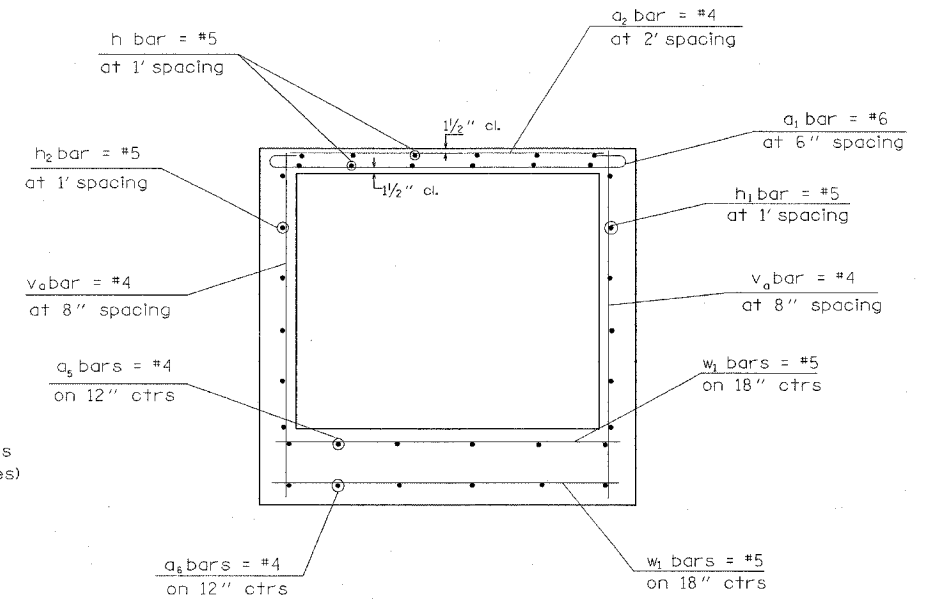
SECTION H - H



a₁ bar



EXISTING TIE-IN DETAIL



SECTION I - I

REVISIONS	
NAME	DATE

ILLINOIS DEPARTMENT OF TRANSPORTATION
 BOX CULVERT
 STA. 100+48.24 (HWY 40)
 UPSTREAM END TREATMENT
 FAP ROUTE 586 (IL 162)
 SECTION 60R-2, 37R-1
 MADISON COUNTY

DRAWN BY: