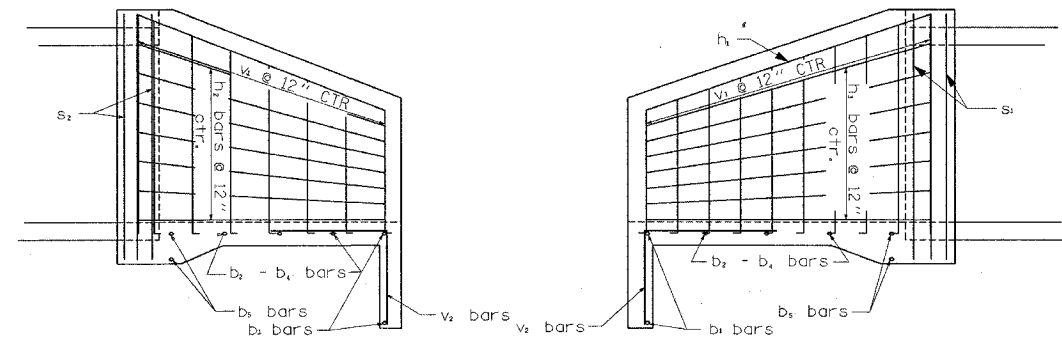
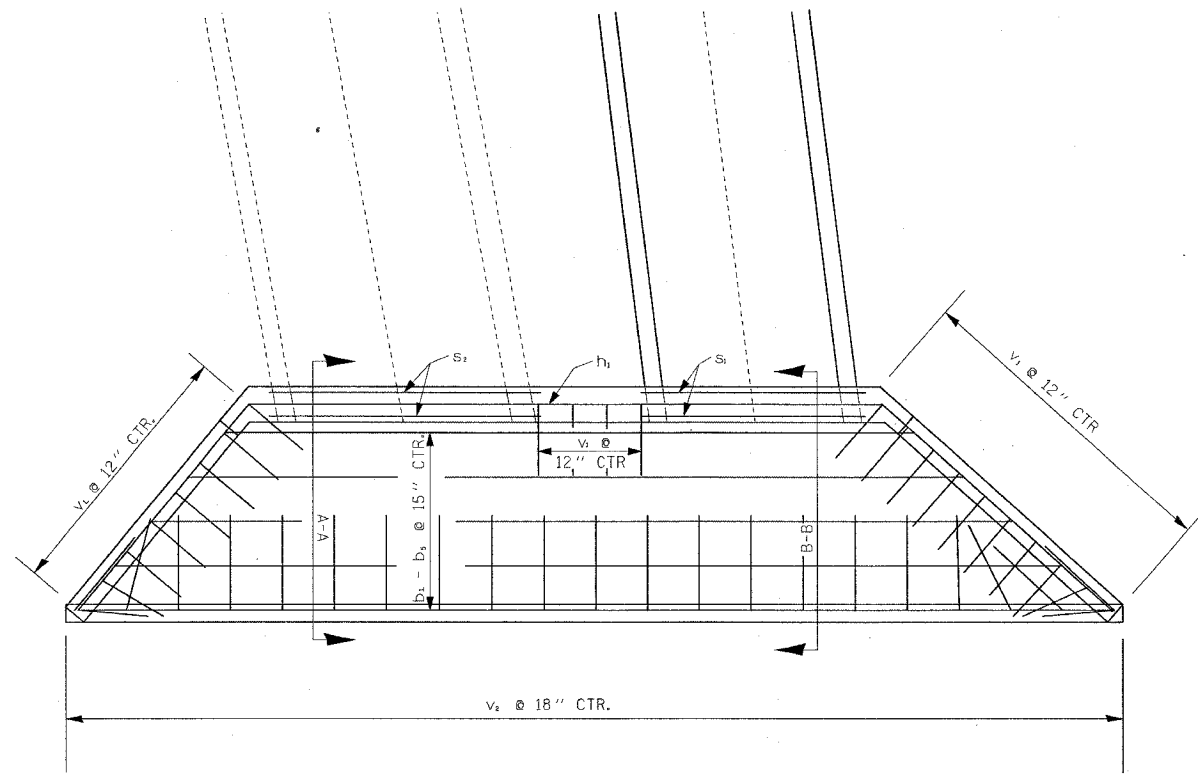


PAP. ROUTE	SECTION	COUNTY	TOTAL SHEETS	SHEET NO.
586	60R-2, 37R-1	MADISON	502	243

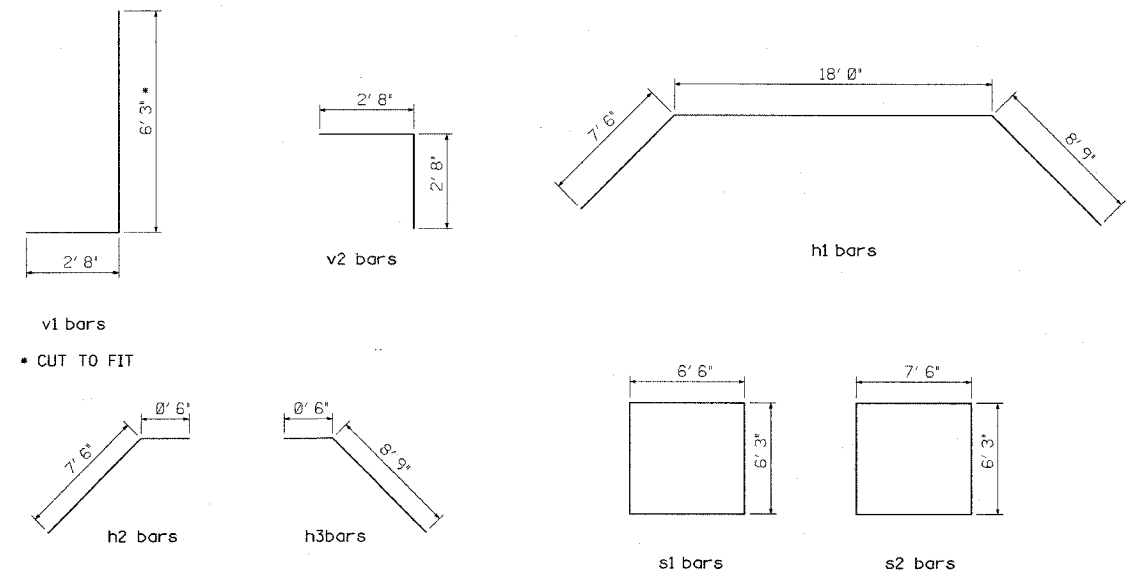
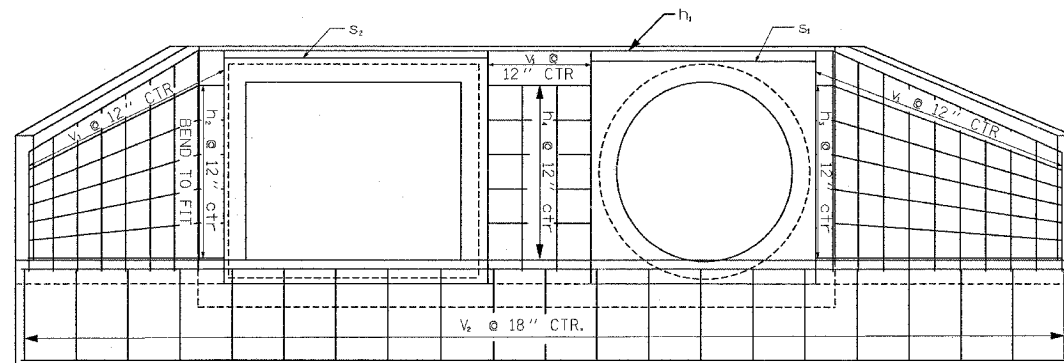
CONTRACT NO.: 76301

PLAN	DATE
BY	
CHECKED	
APPROVED	
NO. OF WAYS CHECKED	
FILE NAME	



SECTION A-A

SECTION B-B



NOT TO SCALE

ILLINOIS DEPARTMENT OF TRANSPORTATION

BOX CULVERT
 STA 100+48.24 (HWY 40)
 DOWNSTREAM STRUCTURE
 FAP ROUTE 586 (IL 162)
 SECTION 60R-2, 37R-1
 MADISON COUNTY

REVISIONS	
NAME	DATE

DRAWN BY:

PLOT DATE: Friday July 02, 2004 @ 10:13:23 AM